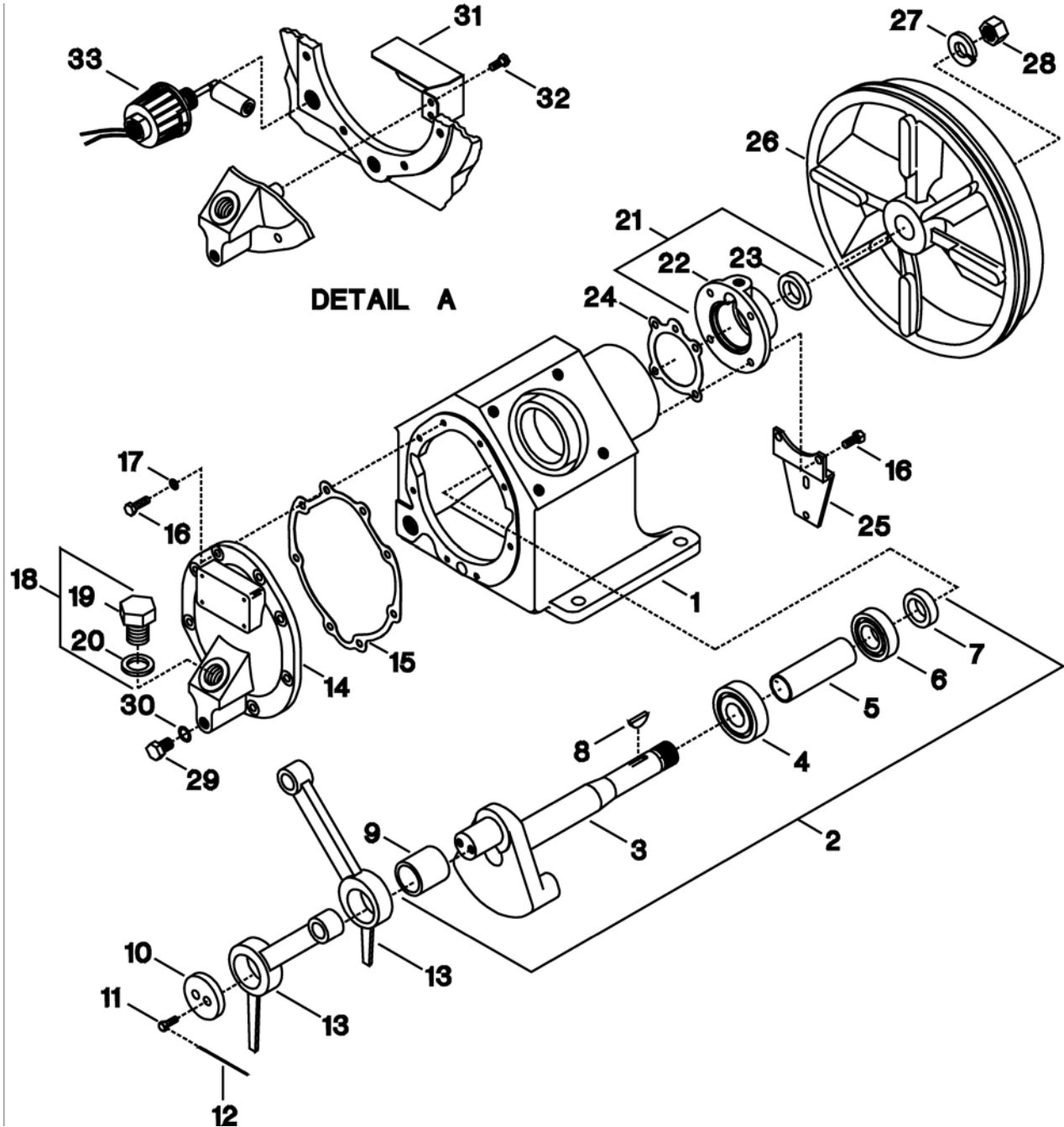


FIGURE 1. COMPRESSOR FRAME ASSEMBLY.



ITEM	CCN	DESCRIPTION	QTY	ITEM	CCN	DESCRIPTION	QTY
1-1	32247728	FRAME, COMPRESSOR	1	1-16	95105250	CAPSCREW, HEX - 5/16-18 X 1"	12
1-2	32496507	ASSEMBLY, CRANKSHAFT COMPLETE	1	1-17	95674651	GASKET, COPPER WASHER - 5/16"	8
1-3	NSS	• CRANKSHAFT	1	1-18	32279549	PLUG, OIL FILLER - COMPLETE	1
1-4	32248122	• BEARING, BALL	1	1-19	NSS	PLUG, OIL FILLER	1
1-5	32006496	• SPACER, CRANKSHAFT BEARING	1	1-20	32247850	O-RING, OIL FILLER PLUG	1
1-6	95134185	• BEARING, BALL WITH SNAP RING	1	1-21	97331060	ASSEMBLY, SHAFT END COVER	1
1-7	37127669	• RING, BEARING RETAINER	1	1-22	NSS	L COVER, SHAFT END	1
1-8	95433173	• KEY, WOODRUFF	1	1-23	32499923	L SEAL	1
1-9	30210199	• BUSHING, CRANKPIN	1	1-24	32247876	GASKET, SHAFT END COVER	1
1-27	95081808	• LOCKWASHER, SPRING - 3/4"	1	1-25	32157349	BRACKET, INTERCOOLER CLAMP	1
1-28	95076816	• NUT, HEX	1	1-26	32496432	BELT WHEEL ELECTRIC MOTOR DRIVE	1
1-10	30210298	CAP, CRANKPIN	1	1-26	32496424	BELT WHEEL GASOLINE ENGINE DRIVE	1
1-11	95101911	CAPSCREW	2	1-29	95053526	CAPSCREW, HEX - 1/2-13 X 3/4"	1
1-12	37605193	LOCKWIRE	1	1-30	95674701	GASKET, COPPER	1
1-13	32004152	ROD, CONNECTING	2	1-31	32295222	BAFFLE, OIL LEVEL SWITCH	1
1-14	32496663	COVER, FRAME END	1	1-32	95053070	CAPSCREW	2
1-15	32247884	GASKET, FRAME END COVER	1	1-33	22102388	KIT, LOW OIL LEVEL SWITCH	1

FIGURE 2. HIGH PRESSURE VALVE PLATE ASSEMBLY.

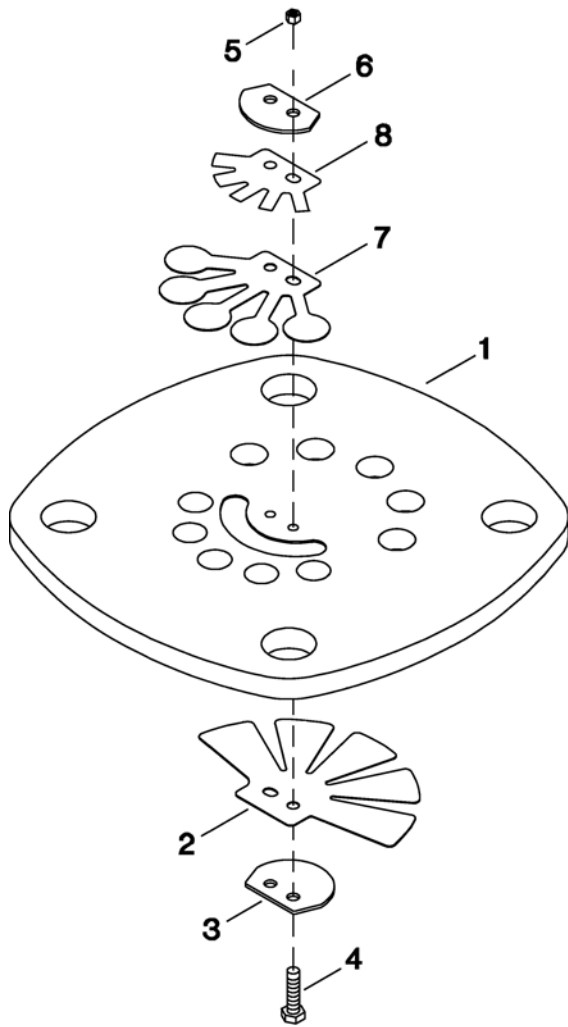
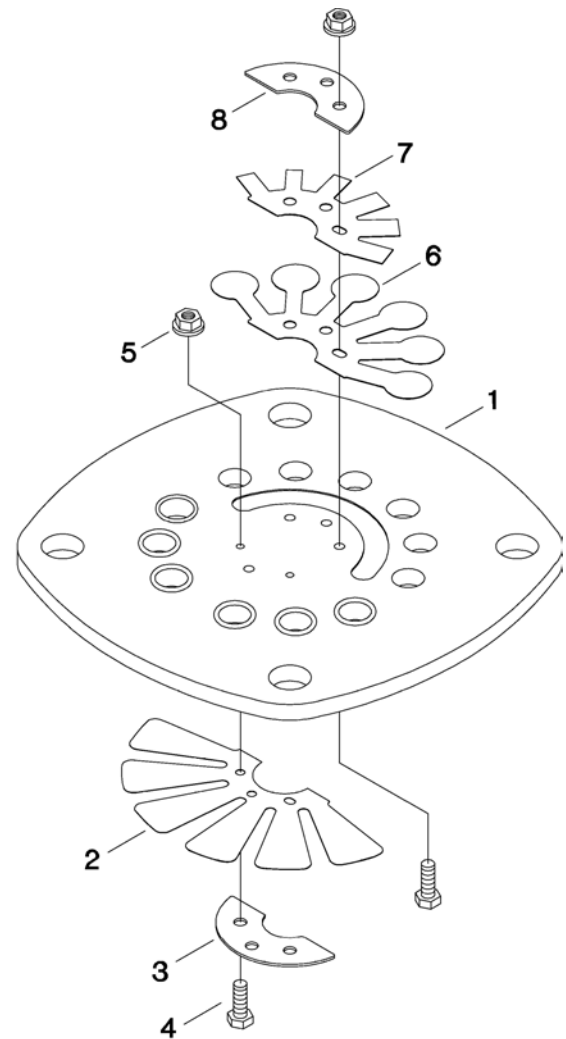


FIGURE 3. LOW PRESSURE VALVE PLATE ASSEMBLY.



ITEM	CCN	DESCRIPTION	QTY
REF.	32310799	ASSEMBLY, VALVE PLATE - HIGH PRESSURE	1
2-1	NSS	PLATE, VALVE - HIGH PRESSURE	1
2-2	32236671	VALVE, FINGER - INLET	1
2-3	32297343	RETAINER, VALVE HP	1
2-4	97511042	SCREW, HEX HEAD - M3 X 16	2
2-5	97511059	NUT, HEX - M3 WITH LOCKWASHER	2
2-6	32295461	RETAINER, FINGER VALVE - DISCHARGE	1
2-7	32241010	VALVE, FINGER - DISCHARGE	1
2-8	32295479	VALVE, DAMPER - DISCHARGE	1

ITEM	CCN	DESCRIPTION	QTY
REF.	32248205	ASSEMBLY, VALVE PLATE	1
3-1	NSS	PLATE, VALVE - LOW PRESSURE	1
3-2	32248130	VALVE, FINGER - INLET	1
3-3	32248148	RETAINER, FINGER VALVE - INLET	1
3-4	32247512	SCREW, HEX HEAD - M4 X 12	6
3-5	32248171	NUT, HEX - M4 WITH LOCKWASHER	6
3-6	32248155	VALVE, FINGER - DISCHARGE	1
3-7	32294464	VALVE, DAMPER - DISCHARGE	1
3-8	32248163	VALVE, RETAINER - DISCHARGE	1

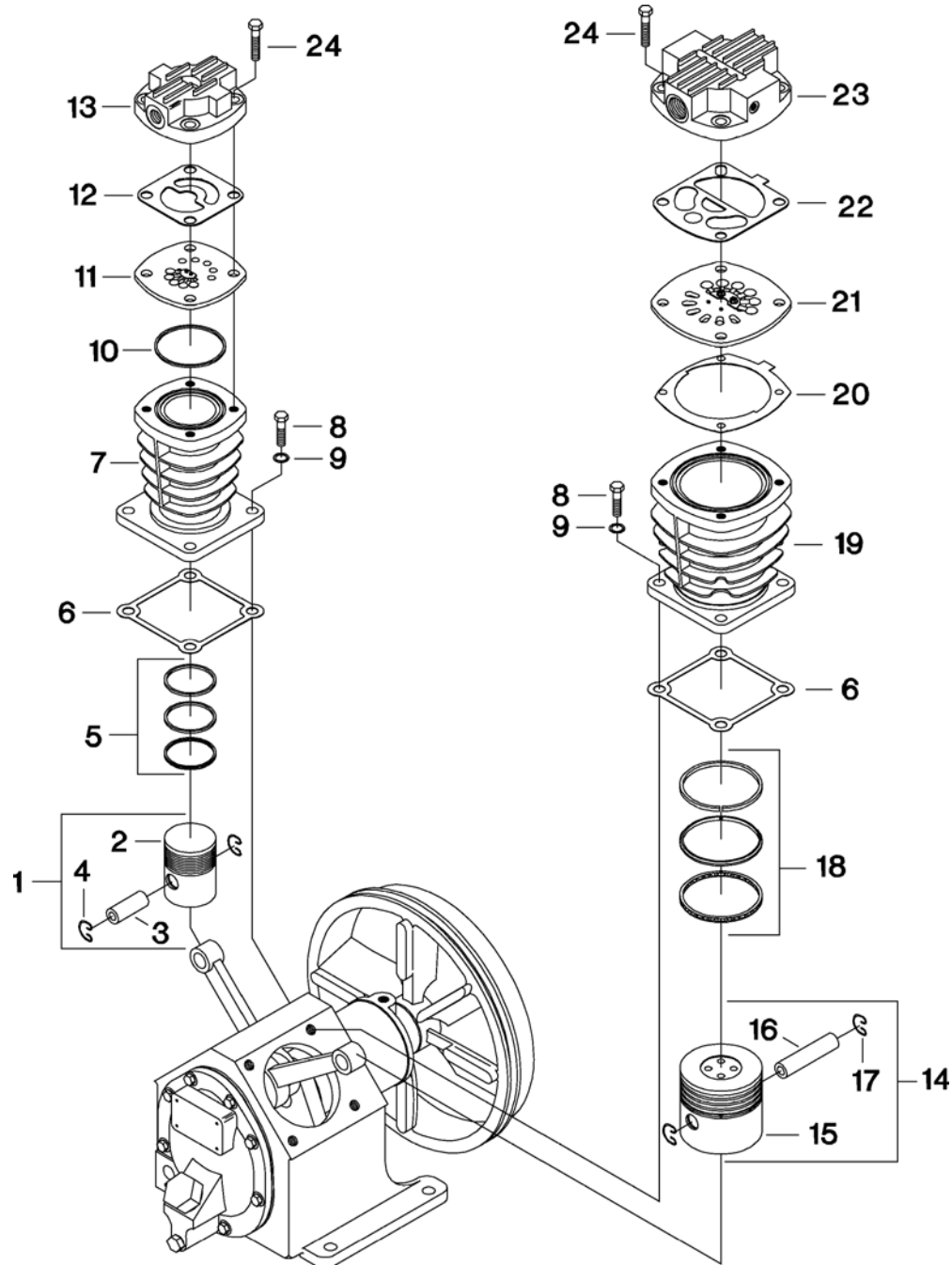
FASTENER TORQUE REQUIREMENTS FOR BARE COMPRESSOR PUMP

Torque values for critical nut, bolt, and capscrew fasteners are listed below.

Gradually and evenly in two stages, tighten each fastener to the final torque using a criss-cross tightening sequence. Use only calibrated torque wrenches.

THREADED FASTENER LOCATION	TORQUE
HIGH PRESSURE HEAD BOLT	75
LOW PRESSURE HEAD BOLT	75
CYLINDER FLANGE	50
FRAME END COVER	17
SHAFT END COVER	17
CRANKPIN CAP	11
HIGH PRESSURE VALVE - IN	11-15 IN LB
LOW PRESSURE VALVE - IN	25-30 IN LB
HIGH PRESSURE VALVE - OUT	11-15 IN LB
LOW PRESSURE VALVE - OUT	25-30 IN LB
BELT WHEEL	60

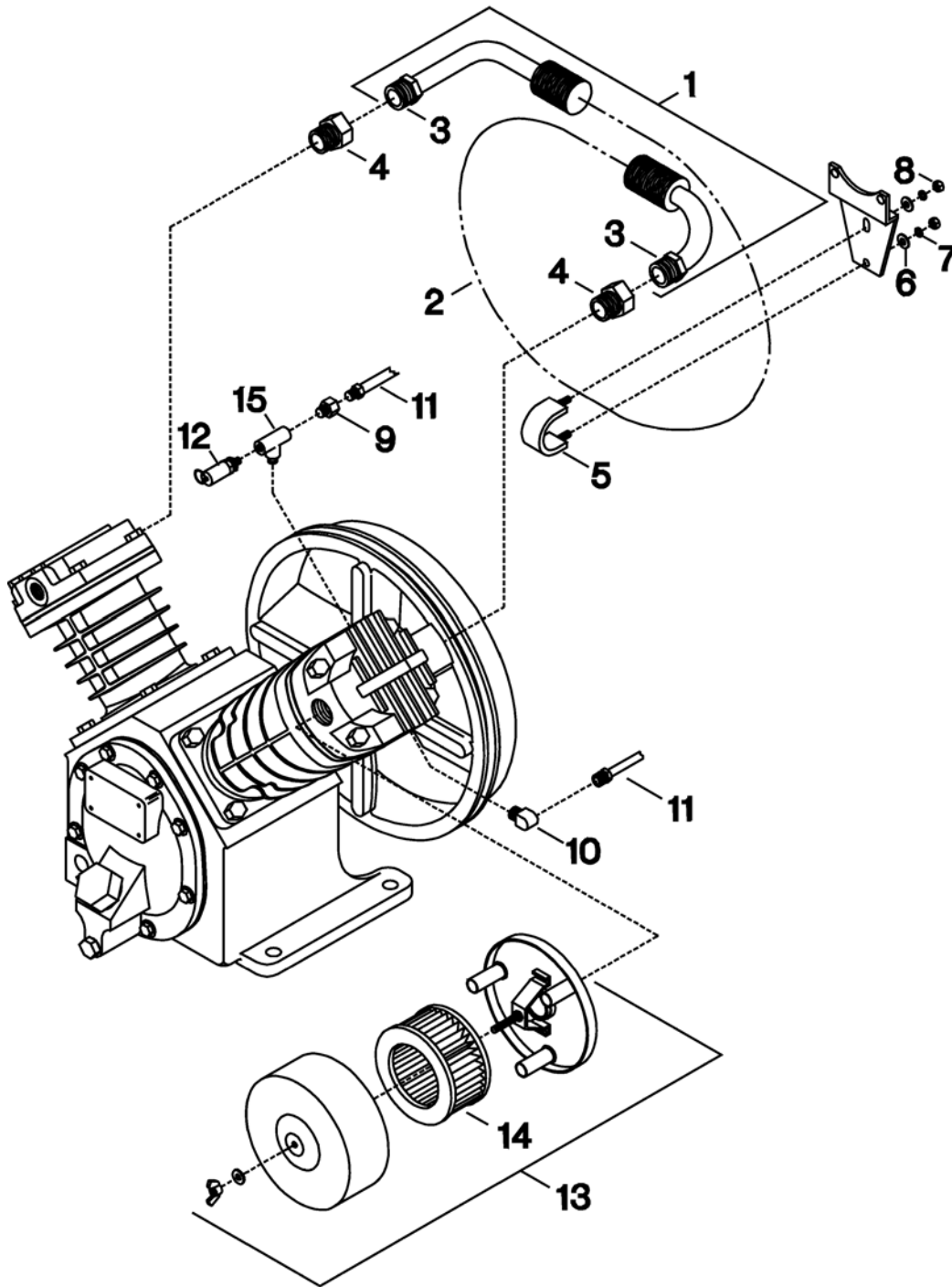
FIGURE 4. MODEL 2475 BARE COMPRESSOR PUMP.



ITEM	CCN	DESCRIPTION	QTY
4-1	32496598	PISTON, AIR - COMPLETE - 2.5" HIGH PRESSURE	1
4-2	NSS	PISTON - AIR - 2.5"	1
4-3	30287783	PIN, PISTON	1
4-4	30298020	RING, LOCK	2
4-5	32307910	SET, PISTON RING - 2.5"	1
4-6	32247868	GASKET, CYLINDER/FLANGE	2
4-7	32247652	CYLINDER - 2.5" - HIGH PRESSURE	1
4-8	95053567	CAPSCREW, HEX - 1/2-13 X 1-1/4"	8
4-9	95674701	GASKET, COPPER - 1/2"	8
4-10	32246878	O-RING, VALVE PLATE - HIGH PRESSURE	1
4-11	32310799	ASSEMBLY, VALVE PLATE - HIGH PRESSURE (SEE FIGURE 2)	1
4-12	32247926	GASKET, AIRHEAD - HIGH PRESSURE	1

ITEM	CCN	DESCRIPTION	QTY
4-13	32247827	AIRHEAD - HIGH PRESSURE	1
4-14	32496564	PISTON, AIR - COMPLETE - 4" - LOW PRESSURE	1
4-15	NSS	PISTON, AIR - 4"	1
4-16	30288393	PIN, PISTON	1
4-17	30298020	RING, LOCK	2
4-18	32307928	SET, PISTON RING - 4"	1
4-19	32293540	CYLINDER, - 4" LOW PRESSURE	1
4-20	32248197	GASKET, VALVE PLATE - LOW PRESSURE	1
4-21	32248205	ASSEMBLY, VALVE PLATE - LOW PRESSURE (SEE FIGURE 3)	1
4-22	32248189	GASKET, AIRHEAD - LOW PRESSURE	1
4-23	32293557	AIRHEAD - LOW PRESSURE	1
4-24	95104188	CAPSCREW, HEX - 1/2-13 X 1-3/4"	8

FIGURE 5. TYPICAL MODEL 2475 INTERCOOLER ASSEMBLY.



ITEM	CCN	DESCRIPTION	QTY	ITEM	CCN	DESCRIPTION	QTY
5-1	32499196	ASSEMBLY, INTERCOOLER	1	5-11	32247892	ASSEMBLY, TUBE - BREATHER	1
5-2	NSS	• INTERCOOLER	1	5-12	72062185	VALVE, RELIEF - 80 PSIG	1
5-3	95108577	• NUT, TUBE - 3/4"	2	5-13	32170953	FILTER, INLET - COMPLETE - 10 MICRON	1
5-4	95083275	CONNECTOR, TUBE	2	5-14	32170979	ELEMENT, FILTER - 10 MICRON	1
5-5	32247942	CLAMP, INTERCOOLER	1	5-13	37170834	FILTER, INLET - COMPLETE - 4 MICRON	1
5-6	95094298	WASHER, FLAT - 1/4"	2	5-14	32165466	ELEMENT, FILTER - 4 MICRON	1
5-7	95648150	LOCKWASHER, SPRING - 1/4"	2	5-15	37143542	ELBOW, STREET	1
5-8	95416335	NUT, HEX - 1/4-20	2				
5-9	95082483	CONNECTOR, TUBE	1				
5-10	95031860	ELBOW, TUBE	1				