

FIGURE 1. COMPRESSOR FRAME ASSEMBLY.

REF. NBR.	PART NUMBER	DESCRIPTION	UNITS PER ASSY.	SPARES		
				1	2	3
1-1	32247728	FRAME, COMPRESSOR	1			
1-2	32278632	ASSEMBLY, CRANKSHAFT - COMPLETE	1			
1-3	NSS	• ASSEMBLY, DISK & SHAFT	1			
1-4	95200762	• BEARING, BALL	1			
1-5	32006496	• SPACER, CRANKSHAFT BEARING	1			
1-6	95213666	• BEARING, BALL - WITH SNAP RING	1			
1-7	37127669	• RING, BEARING RETAINER	1			
1-8	95433173	• KEY, WOODRUFF	1			
1-9	30210199	• BUSHING, CRANKPIN	1			
1-10	30210298	CAP, CRANKPIN	1			
1-11	30278667	CAPSCREW - 3/8-16 x 7/8"	2			
1-12	90799289	LOCKWIRE - 12 GA x 5"	1			
1-13	32004152	ROD, CONNECTING	2			
1-14	32247751	COVER, FRAME END	1			
1-15	32247884	GASKET, FRAME END COVER	1	1	1	2
1-16	95105250	CAPSCREW, HEX - 5/16-18 x 1"	12			
1-17	95674651	GASKET, COPPER WASHER - 5/16"	8			
1-18	32279549	PLUG, OIL FILLER - COMPLETE	1			
1-19	NSS	• PLUG, OIL FILLER	1			
1-20	32247850	• O-RING, OIL FILLER PLUG	1	1	1	2
1-21	32247959	BAFFLE, LOW OIL LEVEL SWITCH	1			
1-22	95053070	CAPSCREW, HEX - 1/4-20 x 1/2"	2			
1-23	32276313	SWITCH, LOW OIL LEVEL (OPTIONAL)	1			
1-24	32247793	ASSEMBLY, SHAFT END COVER	1			
1-25	NSS	• COVER, SHAFT END	1			
1-26	32204539	• SEAL, OIL - VITON	1		1	2
1-27	32247876	GASKET, SHAFT END COVER	1	1	1	2
1-28	32157349	BRACKET, INTERCOOLER CLAMP	1			
1-29	32247801	BELT WHEEL - ELECTRIC DRIVE	1			
1-30	95081808	LOCKWASHER, SPRING - 3/4"	1			
1-31	95076816	NUT, HEX - 1/2-13 x 3/4"	1			
1-32	95053526	CAPSCREW, HEX - 1/2-13 x 3/4"	1			
1-33	95674701	GASKET, COPPER	1			

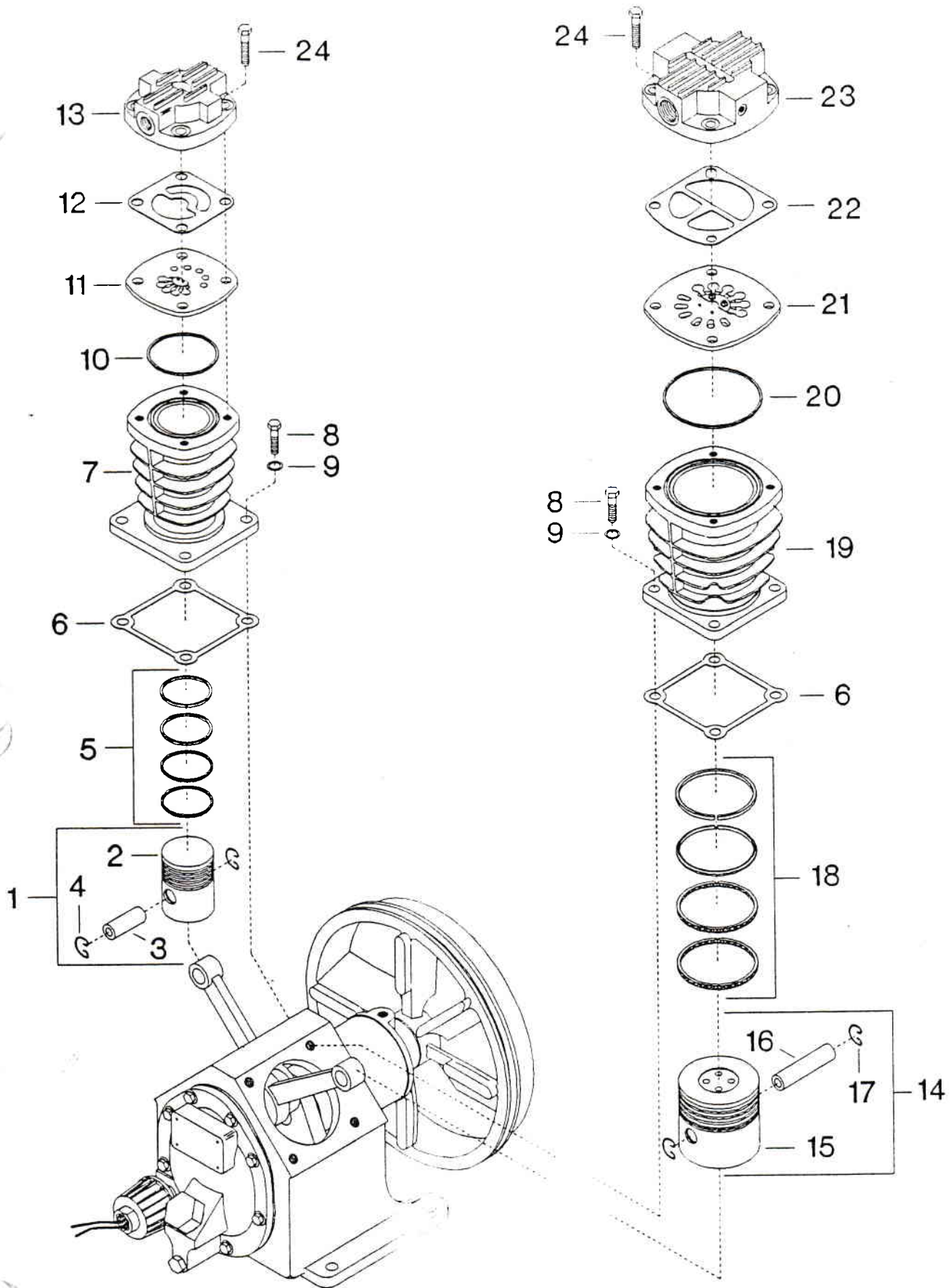


FIGURE 2. 2420 BARE COMPRESSOR.

REF. NBR.	PART NUMBER	DESCRIPTION	UNITS PER ASSY	SPARES		
				1	2	3
2-1	30288518	PISTON, AIR - COMPLETE - 2.5" - HIGH PRESSURE	1		1	1
2-2	NSS	• PISTON, AIR - 2.5"	1			
2-3	30287783	• PIN, PISTON	1			
2-4	30298020	• RING, LOCK	2			
2-5	32198368	SET, PISTON RING - 2.5"	1	1	1	2
2-6	32247868	GASKET, CYLINDER/FLANGE	2	2	2	4
2-7	32247652	CYLINDER - 2.5" - HIGH PRESSURE	1			
2-8	95053567	CAPSCREW, HEX - 1/2-13 x 1-1/4"	8			
2-9	95674701	GASKET, COPPER - 1/2"	8			
2-10	32247462	O-RING, VALVE PLATE - HIGH PRESSURE	1	1	1	2
2-11	32247488	ASSEMBLY, VALVE PLATE - HIGH PRESSURE (SEE FIGURE 3, PAGE 8)	1		1	1
2-12	32247926	GASKET, AIRHEAD - HIGH PRESSURE	1	1	1	2
2-13	32247827	AIRHEAD - HIGH PRESSURE	1			
2-14	32278640	PISTON, AIR - COMPLETE - 4" - LOW PRESSURE	1		1	1
2-15	NSS	• PISTON, AIR - 4"	1			
2-16	30288393	• PIN, PISTON	1			
2-17	30298020	• RING, LOCK	2			
2-18	32194151	SET, PISTON RING - 4"	1	1	1	2
2-19	32247660	CYLINDER - 4" - LOW PRESSURE	1			
2-20	32247470	O-RING, VALVE PLATE - LOW PRESSURE	1	1	1	2
2-21	32247496	ASSEMBLY, VALVE PLATE - LOW PRESSURE (SEE FIGURE 4, PAGE 9)	1		1	1
2-22	32247934	GASKET, AIRHEAD - LOW PRESSURE	1	1	1	2
2-23	32247694	AIRHEAD - LOW PRESSURE	1			
2-24	95104188	CAPSCREW, HEX - 1/2-13 x 1-3/4"	8			

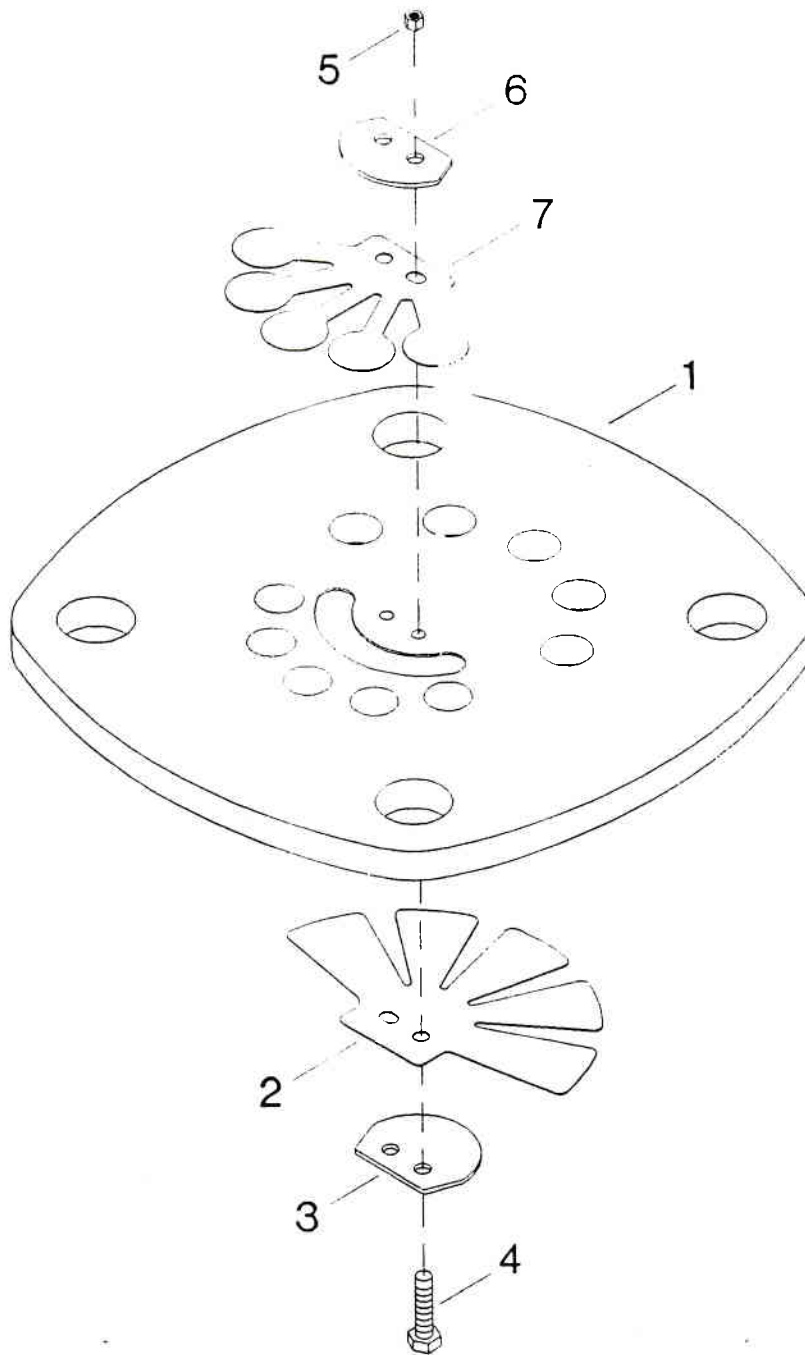


FIGURE 3. HIGH PRESSURE VALVE PLATE ASSEMBLY.

REF. NBR.	PART NUMBER	DESCRIPTION	UNITS PER ASSY.	SPARES		
				1	2	3
REF.	32247488	ASSEMBLY, VALVE PLATE - HIGH PRESSURE	1		1	1
3-1	NSS	• PLATE, VALVE - HIGH PRESSURE	1			
3-2	32236671	• VALVE, FINGER - INLET	1	1	1	2
3-3	32236747	• RETAINER, FINGER VALVE - INLET	1			
3-4	32247504	• SCREW, HEX HEAD - M3 x 12	2			
3-5	97511059	• NUT, HEX - M3 WITH LOCKWASHER	2			
3-6	97511000	• RETAINER, FINGER VALVE - DISCHARGE	1			
3-7	32241010	• VALVE, FINGER - DISCHARGE	1	1	1	2

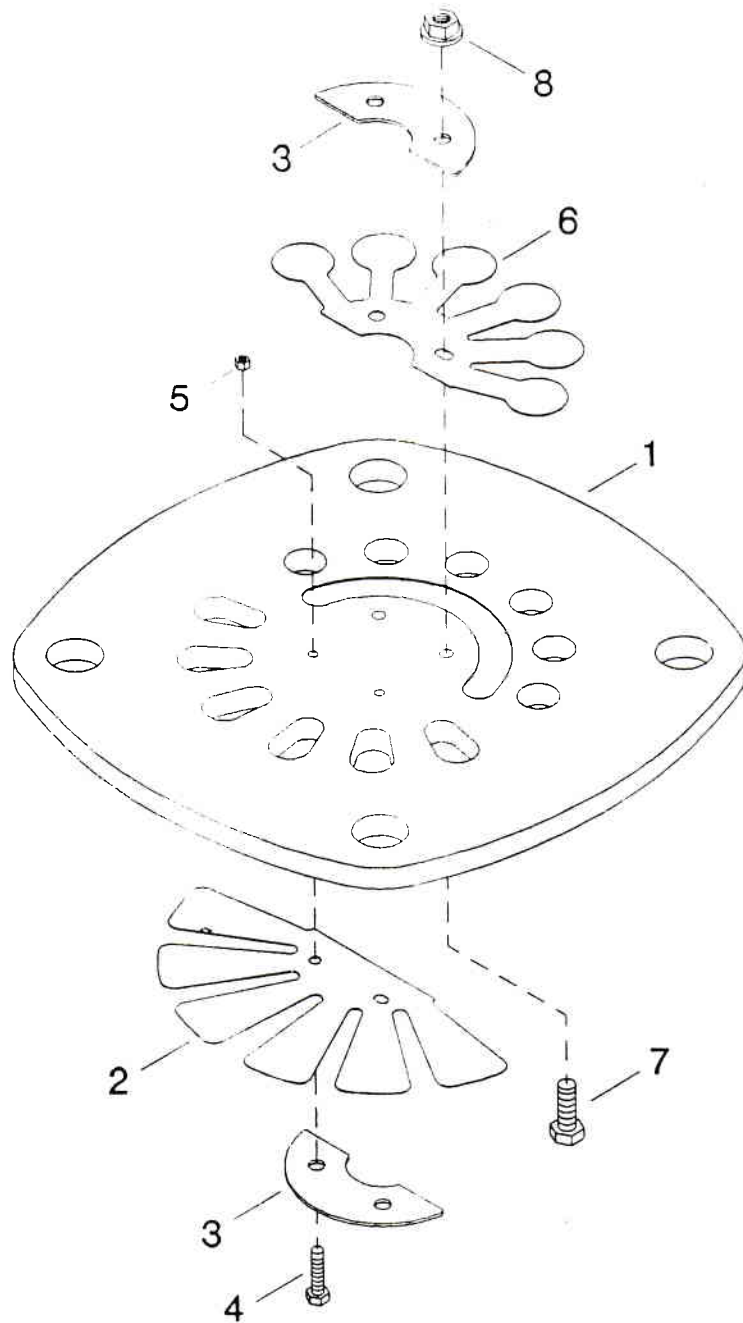


FIGURE 4. LOW PRESSURE VALVE PLATE ASSEMBLY.

REF. NBR.	PART NUMBER	DESCRIPTION	UNITS PER ASSY.	SPARES		
				1	2	3
REF.	32247496	ASSEMBLY, VALVE PLATE	1		1	1
4-1	NSS	• PLATE, VALVE - LOW PRESSURE	1			
4-2	32241002	• VALVE, FINGER - INLET	1	1	1	2
4-3	97511091	• RETAINER, FINGER VALVE	2			
4-4	32247504	• SCREW, HEX HEAD - M3 x 12	2			
4-5	97511059	• NUT, HEX - M3 WITH LOCKWASHER	2			
4-6	32241036	• VALVE, FINGER - DISCHARGE	1	1	1	2
4-7	32247512	• SCREW, HEX HEAD - M4 x 12	2			
4-8	32246936	• NUT, HEX WASHER HEAD - M4	2			

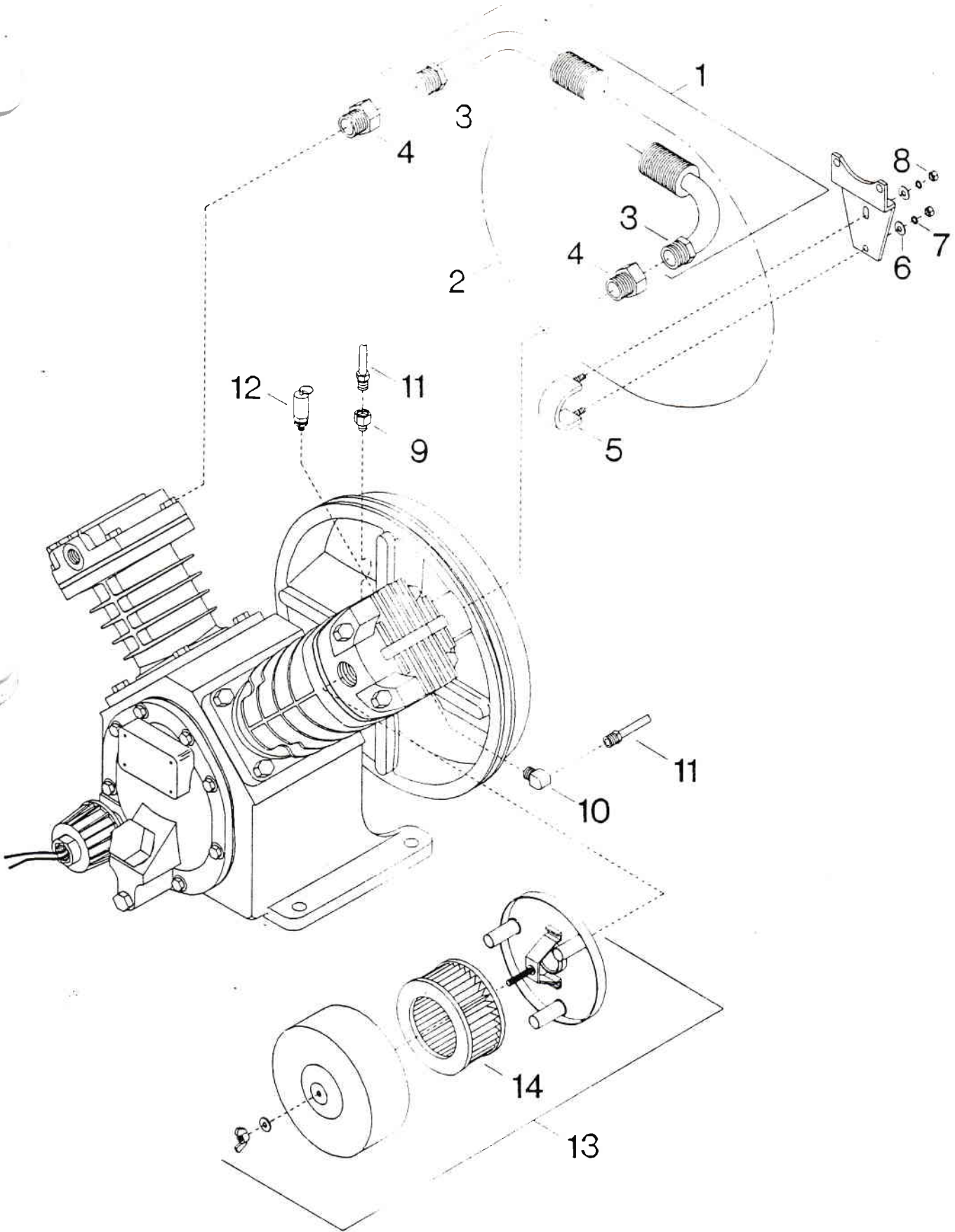


FIGURE 5. INTERCOOLER ASSEMBLY & TUBING.

REF. NBR.	PART NUMBER	DESCRIPTION	UNITS PER ASSY.	SPARES		
				1	2	3
5-1	32247744	ASSEMBLY, INTERCOOLER	1		1	1
5-2	32247736	• INTERCOOLER	1			
5-3	95108577	• NUT, TUBE - 3/4"	2			
5-4	95083275	CONNECTOR, TUBE - 3/4 x 3/4"	2			
5-5	32247942	CLAMP, INTERCOOLER	1			
5-6	95094298	WASHER, FLAT - 1/4"	2			
5-7	32035479	LOCKWASHER, SPRING - 1/4"	2			
5-8	95416335	NUT, HEX - 1/4 -20	2			
5-9	95082483	CONNECTOR, TUBE - 5/16 x 1/8"	1			
5-10	95031860	ELBOW, TUBE - 5/16 x 1/8"	1			
5-11	32247892	ASSEMBLY, TUBE - BREATHER	1			
5-12	72062151	VALVE, RELIEF - 60 PSIG	1			
5-13	32170953	FILTER, INLET - COMPLETE	1		1	2
5-14	32170979	• ELEMENT, FILTER - 10 MICRON	1	1	1	1

STEP SAVER KITS

For your convenience, the following parts and/or spare parts for your compressor are available in parts kits. When ordering the kits below, use the Description and Part Number as shown.

MODEL	PART NUMBER	DESCRIPTION	CONTENTS (BY REF. NBR.)
2420	32278616	KIT, RING/GASKET	1-15, 1-20, 1-26, 1-27, 1-33, 2-6, 2-5, 2-18
2420	32278657	KIT, VALVE/GASKET	2-10, 2-12, 2-20, 2-22, 3-2, 3-3, 3-4, 3-5, 3-6, 3-7, 4-2, 4-3, 4-4, 4-5, 4-6, 4-7, 4-8
2420	32127391	KIT, BEARING/CONNECTING ROD	1-4, 1-6, 1-9, 1-13
2420	32278624	SET, GASKET	1-15, 1-20, 1-27, 1-33, 2-6, 2-10, 2-12, 2-20, 2-22
2420	32171464	KIT, FILTER	5-14