

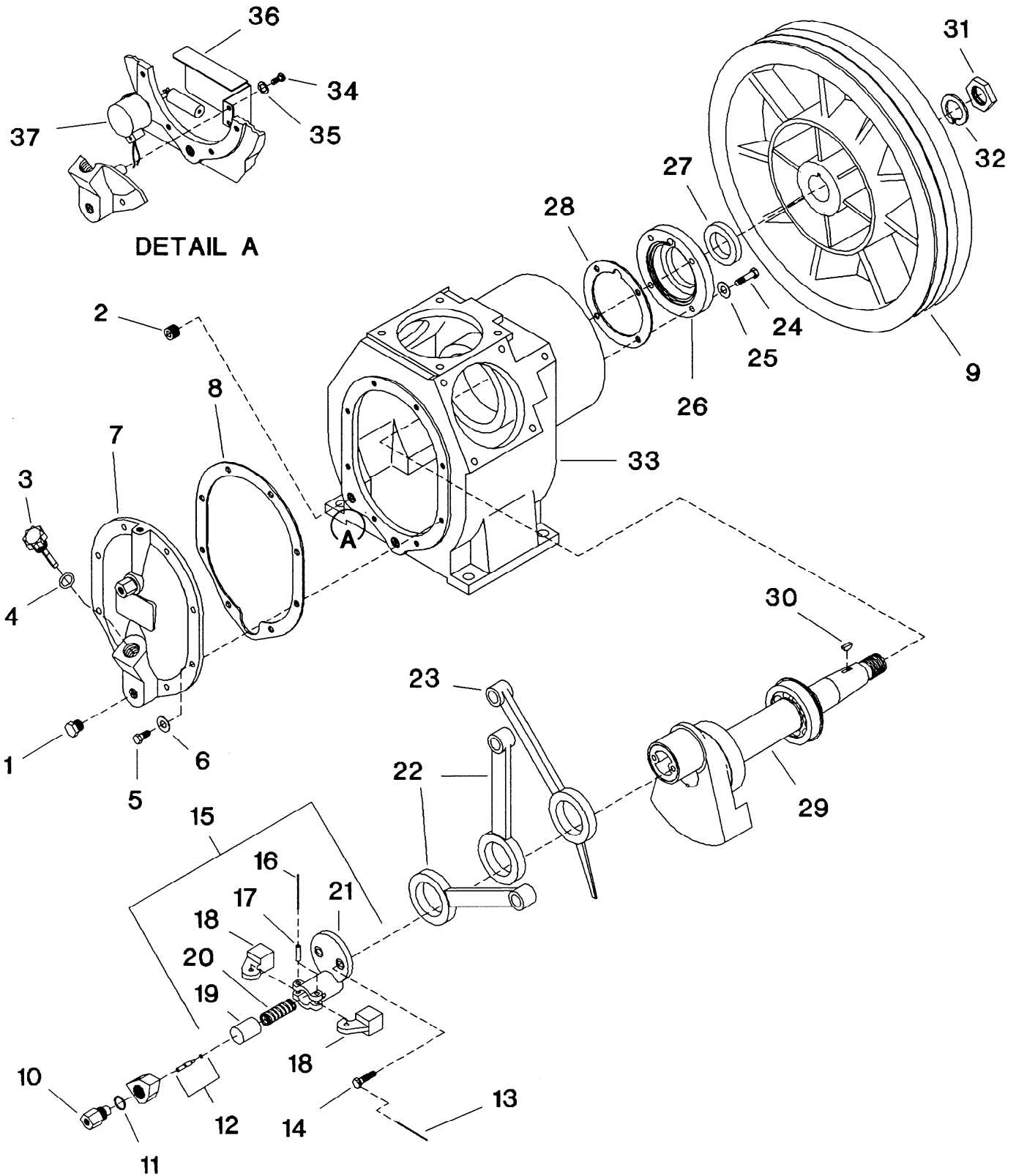
35 GA VALVE

50 GA VALVE

FIGURE 1. VALVE ASSEMBLIES, 15T BARE COMPRESSOR.

REF. NBR.	35 GA VALVE PART NUMBER	50 GA VALVE PART NUMBER	DESCRIPTION	UNITS PER. ASSY.	REC. SPARES		
					1	2	3
1-1	37004827	--	VALVE - COMPLETE - 35 GA	1		1	1
1-1	--	37004843	VALVE - COMPLETE - 50 GA	2		2	2
1-2	32156713	32156739	● ASSEMBLY, VALVE	1			
1-3	30220925	30279897	● ● BOLT, VALVE	1			
1-4	30217608	30229538	● ● SEAT, VALVE - DISCHARGE	1			
1-5	30215941	30181499	● ● PLATE, VALVE - DISCHARGE	1	1	1	1
1-6	30221576	30221501	● ● SPRING, VALVE - DISCHARGE	1	1	1	1
1-7	30218994	30218978	● ● PLATE, STOP - DISCHARGE	1			
1-8	95076808	95076816	● ● NUT, HEX	i			
1-9	32158644	37092897	● ● WASHER, BELLEVILLE	2			2
1-10	30287643	30287650	● ● NUT, ACORN	1			
1-11	30221501	30221550	● SPRING, VALVE - INLET	1	1	1	1
1-12	30181499	30215891	● PLATE, VALVE - INLET	1	1	1	1

IF VALVE REPLACEMENT IS DESIRED, WE RECOMMEND AN ECONOMICAL VALVE/GASKET KIT. SEE PAGE 10.



**FIGURE 2. COMPRESSOR FRAME ASSEMBLY.**

REF. NBR.	PART NUMBER	DESCRIPTION	UNITS PER. ASSY.	REC. SPARES		
				1	2	3
2-1	95078648	PLUG, PIPE - HEX HEAD 1/2"	1			
2-2	95344651	PLUG, PIPE - SQUARE COUNTERSUNK 1/2"	1			
2-3	30389003	PLUG, OIL FILLER - COMPLETE	1			
2-4	95018149	●O - RING	1	1	1	2
2-5	95053146	CAPSCREW - HEX 3/8-16 x 7/8"	8			
2-6	95674677	GASKET - COPPER WASHER	8			
2-7	37128089	COVER, FRAME END	1			
2-8	30439285	GASKET, FRAME END COVER	1	1	1	2
2-9	32003667	WHEEL, V-BELT	1			
2-10	37113701	VALVE, PILOT	1		1	1
2-11	30346597	WASHER, COPPER	1			
2-12	32028706	PIN ASSEMBLY, THRUST	1		1	2
2-13	90799289	LOCKWIRE, 20 GA x 5"	1			
2-14	95101929	CAPSCREW - 3/8-16 x 1"	2			
2-15	30210272	CAP ASSEMBLY, CRANKPIN	1			
2-16	90799271	●LOCKWIRE, 12 GA x 4"	1			
2-17	30214951	●PIN, CENTRIFUGAL UNLOADER WEIGHT	2			
2-18	30220875	●WEIGHT, CENTRIFUGAL UNLOADER	2			
2-19	30285688	●PLUNGER, CENTRIFUGAL UNLOADER	1			
2-20	30815898	●SPRING, CENTRIFUGAL UNLOADER	1			1
2-21	30210322	●BODY, CRANKPIN CAP	1			
2-22	32003659	ROD, CONNECTING - LOW PRESSURE	2		1	2
2-23	32003642	ROD, CONNECTING - HIGH PRESSURE	1		1	1
2-24	95053146	CAPSCREW - HEX 3/8-16 x 7/8"	4			
2-25	95674677	GASKET - COPPER WASHER	4			
2-26	37128071	COVER, SHAFT END	1			
2-27	32204562	SEAL, OIL	1		1	2
2-28	30294961	GASKET, SHAFT END COVER	1	1	1	2
2-29	30211601	CRANKSHAFT - COMPLETE	1			
2-30	95083721	●KEY, WOODRUFF	1			
2-31	30287668	●NUT - HEX	1			
2-32	95265690	●LOCKWASHER, SPRING	1			
2-33	32182602	FRAME, COMPRESSOR	1			
2-34	95053070	CAPSCREW - HEX 1/4-20 x 1/2	2			
2-35	95043196	LOCKWASHER, SPRING - 1/4	2			
2-36	30290043	BAFFLE, LOW OIL LEVEL SWITCH	1			
<b>OPTIONAL EQUIPMENT</b>						
2-37	32201527	SWITCH, LOW OIL LEVEL - NEMA 1	1			
2-37	32217390	SWITCH, LOW OIL LEVEL - NEMA 7	1			
IF BEARING AND CONNECTING ROD REPLACEMENT IS DESIRED, WE RECOMMEND A BEARING/CONNECTING ROD KIT. SEE PAGE 10.						

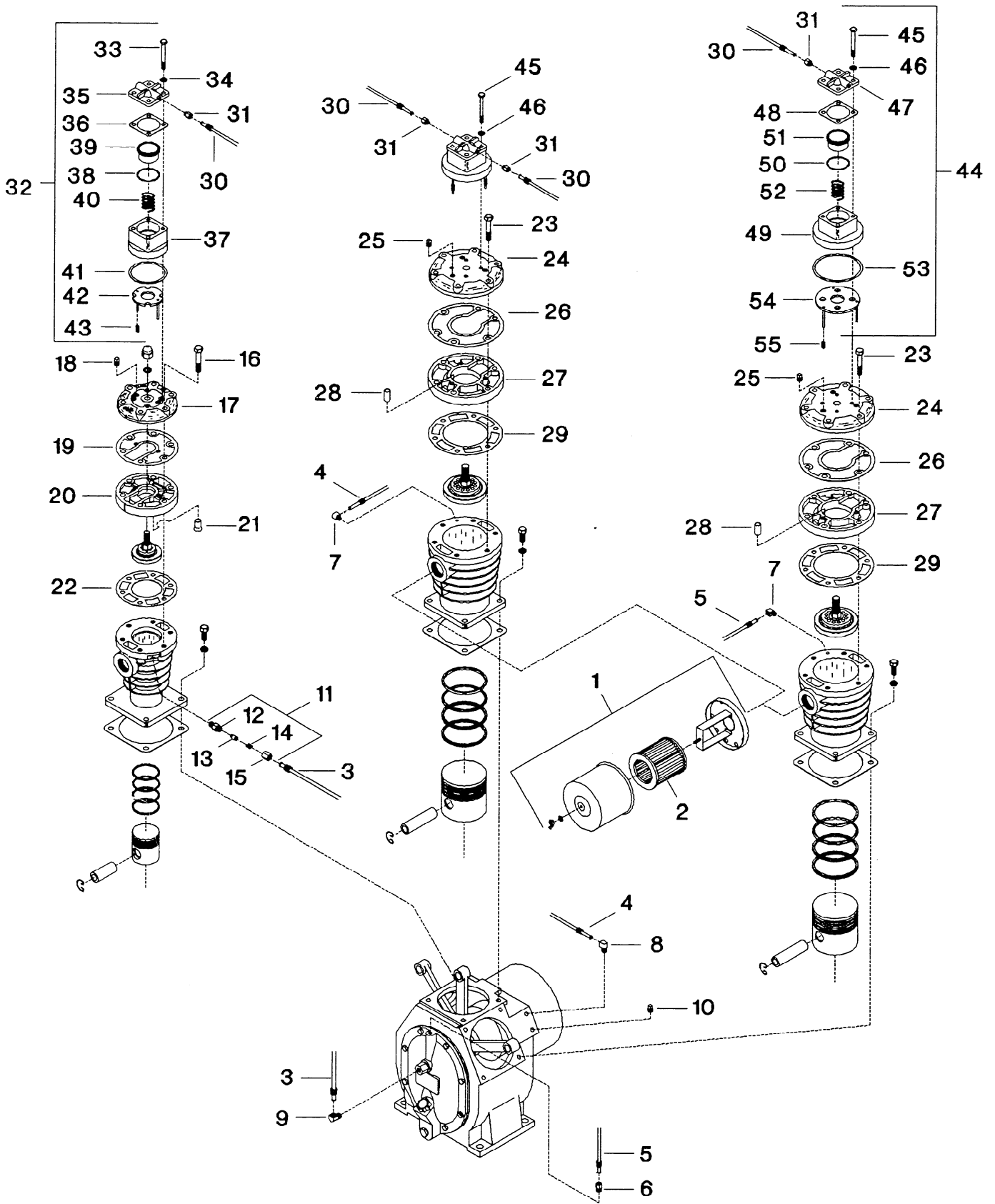
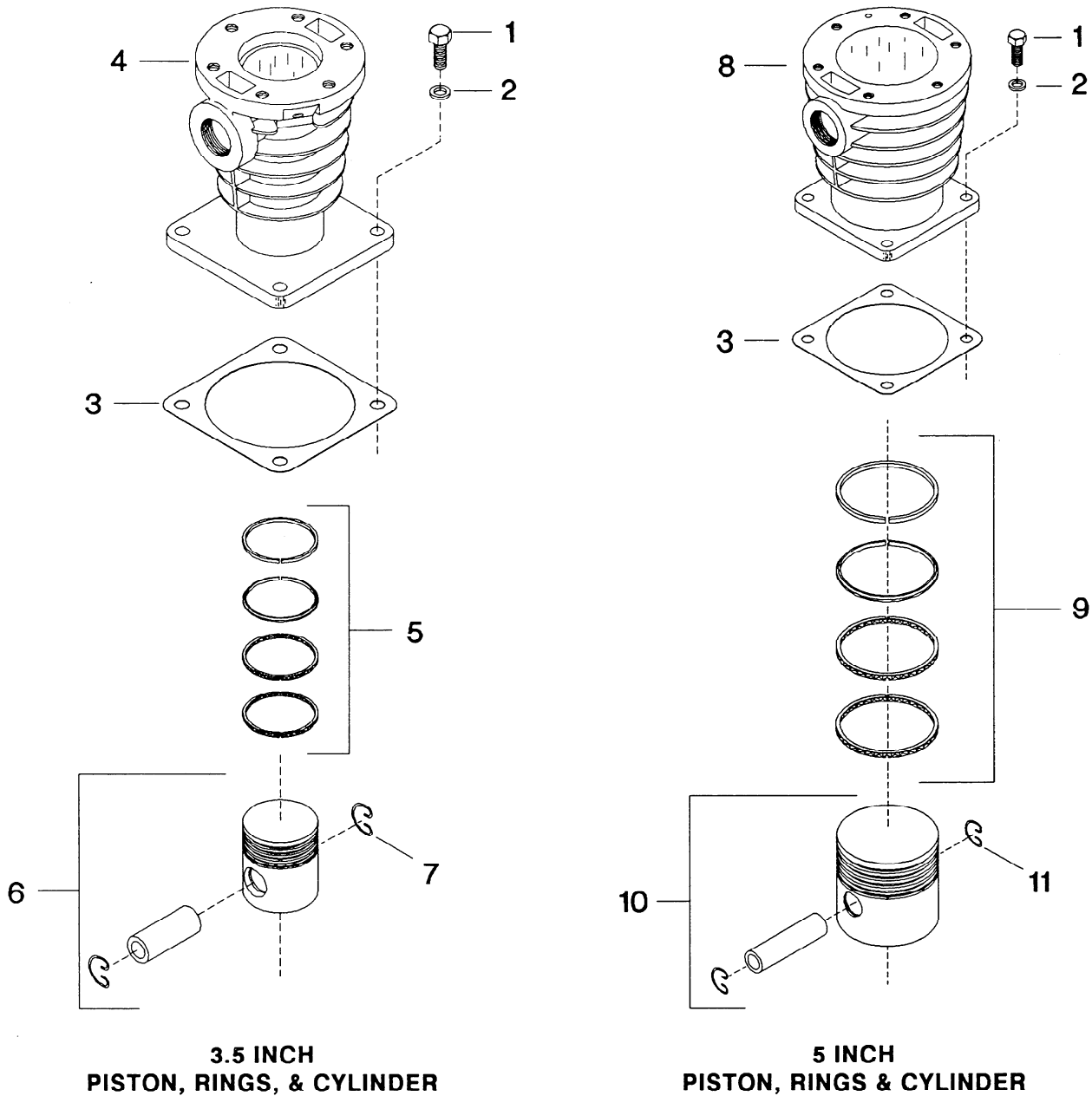


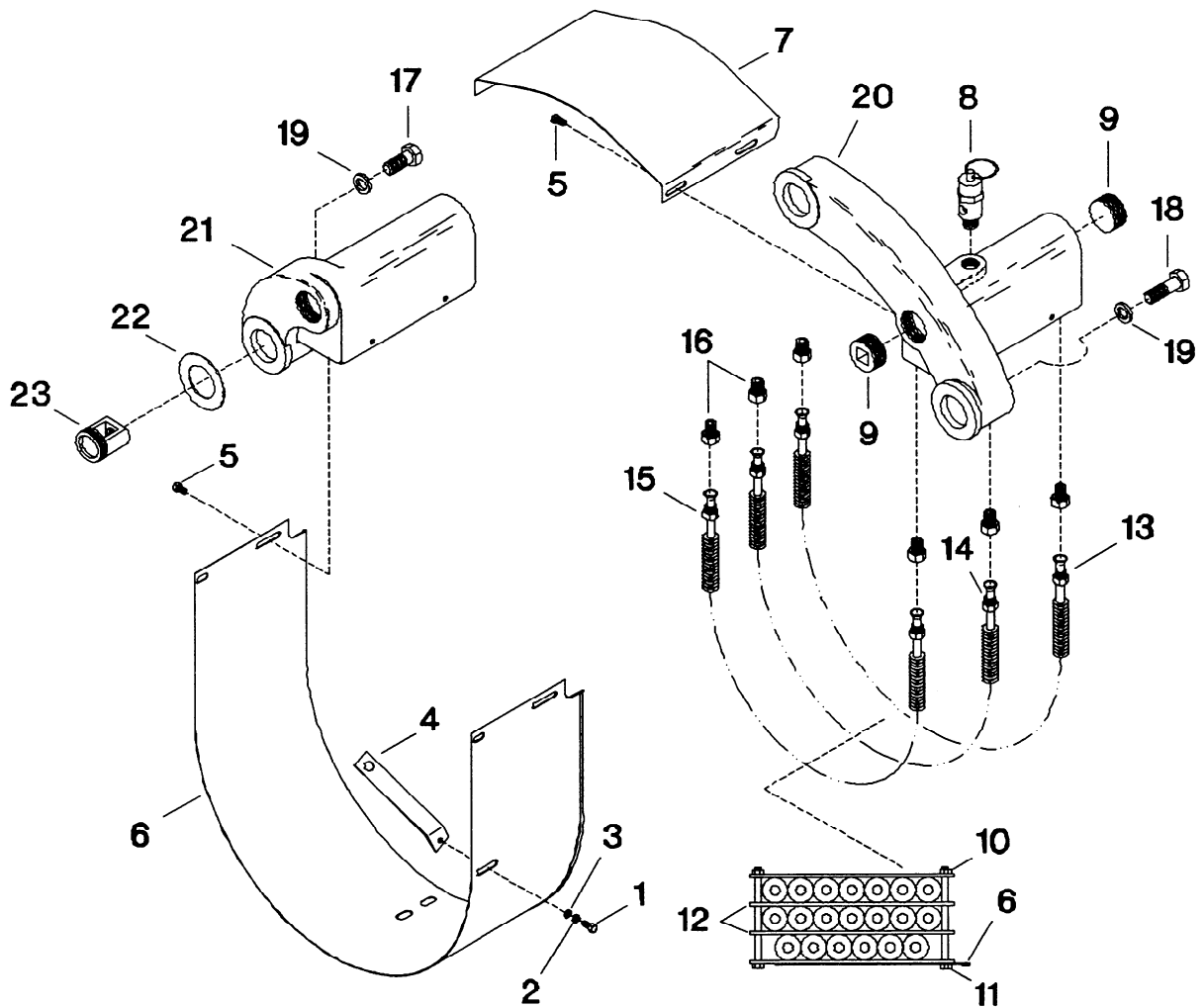
FIGURE 3. MODEL 15T BARE COMPRESSOR.

REF. NBR.	PART NUMBER	DESCRIPTION	UNITS PER. ASSY.	REC. SPARES		
				1	2	3
3-1	32109779	FILTER COMPLETE - INLET	2			
3-2	32012957	●ELEMENT, FILTER - 10 MICRON	1	2	2	2
3-3	37003845	TUBE ASSEMBLY, CYLINDER RELIEF/PILOT VALVE - 3/8 DIA.	1			
3-4	37003829	TUBE ASSEMBLY, BREATHER - 5/16 DIA.	1			
3-5	37003837	TUBE ASSEMBLY, FRAME END COVER/L.P. CYLINDER - 5/16 DIA.	1			
3-6	32157554	CONNECTOR, MALE - 5/16 x 1/4	1			
3-7	95031860	ELBOW, TUBE - 5/16 x 1/8	2			
3-8	95110441	ELBOW, TUBE - 5/16 x 1/4	1			
3-9	95040143	ELBOW, TUBE - 3/8 x 1/4	1			
3-10	95252409	PLUG, PIPE - HEX 1/4	1			
3-11	30291801	ASSEMBLY, CYLINDER RELIEF VALVE	1			1
3-12	35154111	●BODY, CYLINDER RELIEF VALVE	1			
3-13	35154129	●VALVE, CYLINDER RELIEF BARE	1			
3-14	30672638	●SPRING, CYLINDER RELIEF VALVE	1	1	1	2
3-15	30279293	●CAP, CYLINDER RELIEF VALVE	1			
3-16	95053054	CAPSCREW - HEX 1/2-13 x 3	6			
3-17	37130382	AIRHEAD, TOP - HIGH PRESSURE	1			
3-18	32179038	●PLUG, PIPE - HEX HEAD 1/4	2			
3-19	37007754	GASKET, AIRHEAD - TOP/BOTTOM - HIGH PRESSURE	1	1	1	2
3-20	37130366	AIRHEAD, BOTTOM HALF - HIGH PRESSURE	1			
3-21	37114030	DOWEL	1			
3-22	30294508	GASKET, AIRHEAD - HIGH PRESSURE	1	1	1	2
3-23	95053054	CAPSCREW - HEX 1/2-13 x 3	6			
3-24	37130515	AIRHEAD, TOP - LOW PRESSURE	2			
3-25	32179038	●PLUG, PIPE - HEX HEAD 1/4	6			
3-26	37007747	GASKET, AIRHEAD - TOP/BOTTOM - LOW PRESSURE	2	2	2	4
3-27	37130499	AIRHEAD, BOTTOM HALF - LOW PRESSURE	2			
3-28	37114030	DOWEL	2			
3-29	30294193	GASKET, AIRHEAD - LOW PRESSURE	2	2	2	4
<b>NOTE: PARTS LISTED BELOW USED WITH OPTIONAL CONSTANT SPEED CONTROL</b>						
3-30	37003852	ASSEMBLY, TUBE - L.P./L.P./H.P. CONSTANT SPEED - 5/16 DIA.	2			
3-31	95082483	CONNECTOR, TUBE - 5/16 x 1/8	4			
3-32	30292015	UNLOADER - COMPLETE - HIGH PRESSURE	1			
3-33	95102042	●CAPSCREW - HEX 3/8-16 x 3-1/2	4			
3-34	30345227	●WASHER, FLAT - 3/8	4			
3-35	37129905	●COVER, UNLOADER	1			
3-36	30294656	●GASKET, UNLOADER COVER	1	1	1	2
3-37	37129889	●BODY, UNLOADER	1			
3-38	32136715	●O-RING	1	1	1	1
3-39	32139883	●PISTON, UNLOADER	1			
3-40	30416853	●SPRING, UNLOADER PISTON	1			1
3-41	30294680	●GASKET, UNLOADER BODY	1	1	1	2
3-42	32016578	●ASSEMBLY, UNLOADER PLATE	1			
3-43	32012395	●SPRING, UNLOADER PIN	2			
3-44	30292007	UNLOADER - COMPLETE - LOW PRESSURE	2			
3-45	95102042	●CAPSCREW - HEX 3/8-16 x 3-1/2	4			
3-46	30345227	●WASHER, FLAT - 3/8	4			
3-47	37129905	●COVER, UNLOADER	1			
3-48	30294656	●GASKET, UNLOADER COVER	1	1	1	2
3-49	37129947	●BODY, UNLOADER	1			
3-50	32136715	●O-RING	1	1	1	2
3-51	32139883	●PISTON, UNLOADER	1			
3-52	30416853	●SPRING, UNLOADER PISTON	1			2
3-53	30294698	●GASKET, UNLOADER BODY	1	1	1	2
3-54	32016537	●ASSEMBLY, UNLOADER PLATE	1			
3-55	32012395	●SPRING, UNLOADER PIN	3			3
IF FILTER REPLACEMENT IS DESIRED, WE RECOMMEND AN ECONOMICAL FILTER KIT. SEE PAGE 10.						



**FIGURE 4. PISTONS, RINGS, AND CYLINDERS**

REF. NBR.	PART NUMBER	DESCRIPTION	UNITS PER. ASSY.	REC. SPARES		
				1	2	3
4-1	95053567	CAPSCREW - HEX 1/2-13 x 1-1/4	12			
4-2	95674701	GASKET - COPPER WASHER 1/2	12			
4-3	30294235	GASKET, FLANGE	3	3	3	6
4-4	37128501	CYLINDER, AIR - 3.5 INCH HIGH PRESSURE	1			
4-5	32218182	SET, RING - 3.5 INCH HIGH PRESSURE	1	1	1	2
4-6	30215198	PISTON, AIR - COMPLETE - 3.5 INCH HIGH PRESSURE	1		1	1
4-7	30288450	●RING, LOCK	2			
4-8	37128782	CYLINDER, AIR - 5 INCH LOW PRESSURE	2			
4-9	32198376	SET, RING - 5 INCH LOW PRESSURE	2	2	2	4
4-10	32054504	PISTON, AIR - COMPLETE - 5 INCH LOW PRESSURE	2		2	2
4-11	30288450	●RING, LOCK	2			
IF PISTON RING REPLACEMENT IS DESIRED, WE RECOMMEND AN ECONOMICAL RING/GASKET KIT. SEE PAGE 10.						



**FIGURE 5. INTERCOOLER ASSEMBLY**

REF. NBR.	PART NUMBER	DESCRIPTION	UNITS PER. ASSY.	REC. SPARES		
				1	2	3
5-1	95053070	CAPSCREW - HEX 1/4-20 x 1/2	1			
5-2	95043196	LOCKWASHER, SPRING - 1/4	1			
5-3	95094298	WASHER, FLAT - 1/4	1			
5-4	30209829	BRACE, INTERCOOLER SHROUD	1			
5-5	32175572	CAPSCREW - SERRATED WASHER HEAD 1/4	8			
5-6	30218283	SHROUD, BOTTOM - INTERCOOLER	1			
5-7	30218275	SHROUD, TOP - INTERCOOLER	1			
5-8	30357842	VALVE, SAFETY - 65 PSIG	1	1		2
5-9	95033338	PLUG, PIPE - SQUARE COUNTERSUNK 1-1/4	4			
5-10	95085965	LOCKNUT - 1/4	2			
5-11	95053484	CAPSCREW - HEX 1/4-20 x 4	2			
5-12	32024911	BRACE, INTERCOOLER TUBE	4			
5-13	32025686	ASSEMBLY, TUBE 41-1/2 INCH	6		1	2
5-14	32025678	ASSEMBLY, TUBE 38-3/4 INCH	7		1	2
5-15	32024697	ASSEMBLY, TUBE 36 INCH	7		1	2
5-16	95083143	CONNECTOR, MALE - 3/8 x 1/4	40			
5-17	95054128	CAPSCREW - HEX 5/8-11 x 2	2			
5-18	95054144	CAPSCREW - HEX 5/8-11 x 2-1/2	1			
5-19	30345185	WASHER, FLAT - 5/8	3			
5-20	37129012	MANIFOLD, INTERCOOLER - LOW PRESSURE	1			
5-21	37129020	MANIFOLD, INTERCOOLER - HIGH PRESSURE	1			
5-22	30294870	GASKET, MANIFOLD	3	1	1	3
5-23	30221121	CONNECTION, MANIFOLD	3			