



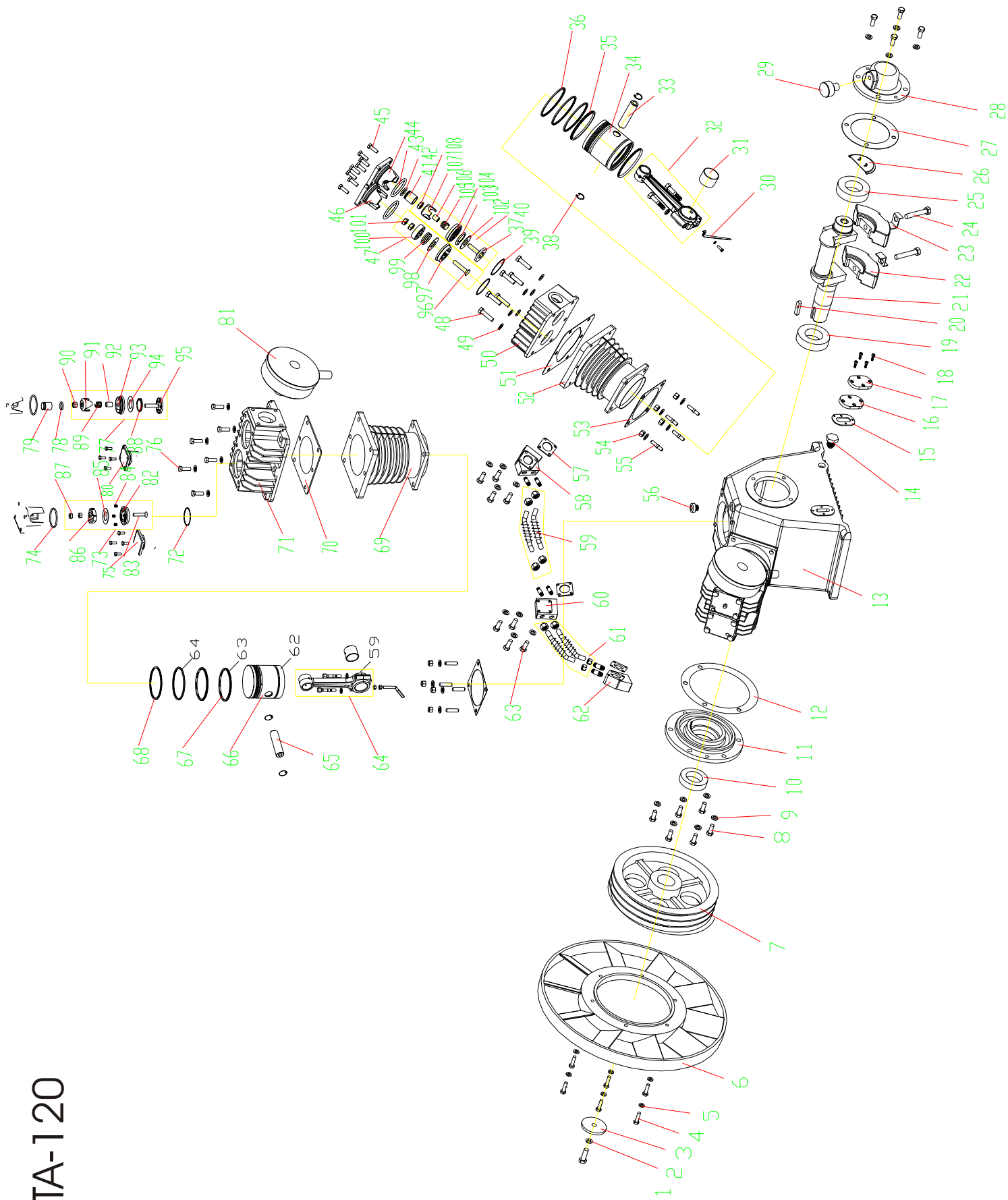
5750 DONAHUE STREET, MONTREAL, QUEBEC. H4S 1C1
TEL.: 514-336-3820, 800-390-0140 FAX: 514-745-1764
www.airtekltd.com E-MAIL info@airtekltd.com

Fu Sheng

HTA-120 Pump



HTA-120



ITEM	DESCRIPTION	QTY	PART NO.
1	BOLT M12*50	1	91501-1312050-8.8
2	SPRING WASHER M12	25	92522-131200
3	PULLEY LOCK WASHER	1	70124-76210
4	BOLT M8*30	6	91501-2308030
5	WASHER 8	6	92522-130800
6	ALUMINIUM FAN	1	70135-76310
7	COMPRESSOR PULLEY	1	70135-76011
8	BOLT M10*25	10	91501-1310025-8.8
9	COPPER WASHER M10	22	92521-191000
10	OIL SEAL	1	70134-57080
11	FRONT BEARING COVER	1	70135-57030
12	FRONT BEARING COVER PACKING	1	70135-57950
13	CRANKCASE	1	70175-57010
14	SCREW PLUG 1/2"	1	90112-100404
15	OIL GAUGE PACKING	1	70124-57730
16	OIL GAUGE ASSEMBLY	1	70124-57700
17	OIL GAUGE COVER	1	70124-57740
18	BOLT M5*16	4	91505-1305012
19	BEARING	1	93502-32210
20	PULLEY KEY	1	70134-56060
21	CRANKSHAFT	1	70175-56010
22	CRANKSHAFT COUNTER WEIGHT	2	70135-56032
23	COUNTERWEIGHT LOCK WASHER	2	70135-56830
24	COUNTERWEIGHT MOUNTING BOLT	2	70135-56811
25	BEARING	1	93502-30310
26	OIL BAFFLE PLATE	1	70134-57590
27	REAR BEARING COVER PACKING	1	70134-57960
28	REAR BEARING COVER	1	70134-57061
29	AIR STRAINER ASS'Y	1	70124-57601
30	OIL SPLASH DIPPER	3	70135-61281
31	TWO STAGE CONNECTING ROD BEARING SHELL	1	70125-61090
32	TWO STAGE CONNECTING ROD ASSEMBLY	1	70175-62201
33	TWO STAGE PISTON PIN	1	70175-62121
34	PISTON	1	70175-62011-1
35	TWO STAGE OIL CONTROL RING	2	70124-61050
36	TWO STAGE COMPRESSOR RING	3	70124-61030
37	2nd STAGE INLET VALVE RECEIVER	1	70175-32020
38	PISTON PIN LOCK RING	6	70125-61070
39	VALVE SEAT WASHER	2	70124-11110
40	TOW STAGE INLET VALVE ASSEMBLY	1	70175-32000
41	TOW STAGE UNLOADING PISTON	1	70125-11220
42	O-RING	1	93601-870021
43	O-RING	2	93602-870055
44	INLET VALVE PUSH COVER	1	70175-12150
45	BOLT M8*25	8	91501-2308025-8.8
46	OUTLET VALVE PUSH COVER	1	70175-12450
47	TOW STAGE OUTLET VALVE	1	70175-42000
48	BOLT M10*100	6	-
49	SPRING WASHER M10	6	92522-131000
50	TOW STAGE CYLINDER HEAD	1	70175-12010
51	CYLINDER HEAD PACKING	1	70124-11612
52	TOW STAGE CYLINDER	1	70175-52010
53	CYLINDER CRANKCASE PACKING	3	70135-51610
54	NUT M12	12	92501-131200
55	CYLINDER-CRANKCASE BOLT	12	70135-51810
56	CRANKCASE OIL CAP	1	70123-57190

ITEM	DESCRIPTION	QTY	PART NO.
57	PIPE JOINT PACKING	3	70125-87510
58	PIPE JOINT	1	70175-87030-4010
59	OUTLET PIPE	1	70135-87200
60	PIPE JOINT	1	70175-87020
61	OUTLET PIPE	1	70135-87100
62	PIPE JOINT	1	70175-87010
63	BOLT M10*65	12	-
64	ONE STAGE CONNECTING ROD ASSEMBLY	2	70125-61200
65	ONE STAGE PISTON PIN	2	70125-61120
66	ONE STAGE PISTON	2	70135-61010
67	ONE STAGE OIL CONTROL RING	4	70125-61050
68	ONE STAGE COMPRESSION RING	4	70125-61030
69	ONE STAGE CYLINDER	2	70135-51011
70	ONE STAGE CYLINDER HEAD PACKING	2	70135-11612
71	ONE STAGE CYLINDER HEAD	2	70135-11010
72	VALVE SEAT WASHER	4	70125-11110
73	ONE STAGE OUTLET VALVE	2	70125-41001
74	O-RING	2	93602-810065
75	ONE STAGE OUTLET VALVE PUSH COVER	2	70125-11451
76	BOLT M12*35	12	-
77	ONE STAGE INLET VALVE	2	70125-31000
78	O-RING	2	93601-870022A
79	ONE STAGE UNLOADING PISTON	2	70125-11220
80	ONE STAGE INLET VALVE PUSH COVER	2	70125-11151
81	AIR STRAINER SET	2	70135-66000
82	1st STAGE OUTLET VALVE SEAT	2	70125-41012
83	BOLT	2	-
84	1st STAGE OUTLET VALVE SPRING	6	-
85	1st STAGE PLATE	2	70125-41030
86	1st OUTLET VALVE RECEIVER	2	70125-41025
87	1st STAGE LOCK NUT	4	92501-231000
88	1st STAGE INLET VALVE SPRING	2	70125-31070
89	1st STAGE UNLOAD SPRING	2	70125-11230
90	LOCK NUT	2	92517-231200
91	1st STAGE UNLOAD FORK	2	70125-31080
92	1st STAGE UNLOAD FORK GUIDE	2	70125-31090
93	1st STAGE INLET VALVE SEAT	2	70125-31010
94	1st STAGE PLATE	2	50125-31030
95	1st STAGE INLET VALVE RECEIVER	2	70125-31023
96	BOLT	1	-
97	2nd OUTLET VALVE RECEIVER	1	70124-41011
98	2nd STAGE INLET VALVE PLATE	1	70175-42030
99	2nd STAGE INLET VALVE SPRING	1	70124-41070
100	2nd OUTLET VALVE RECEIVER	1	70175-42020
101	2nd STAGE INLET VALVE LOCK NUT	2	92501-231000
102	2nd STAGE INLET VALVE PLATE	1	70124-31030
103	2nd STAGE INLET VALVE SPRING	1	70124-31070
104	2nd STAGE INLET VALVE SEAT	1	70124-31010
105	2nd STAGE UNLOADING PISTON O-RING	1	70124-11230
106	2nd STAGE UNLOAD FORK GUIDE	1	70124-31090
107	2nd STAGE UNLOAD FORK	1	70124-31080
108	LOCK NUT	1	92518-231000