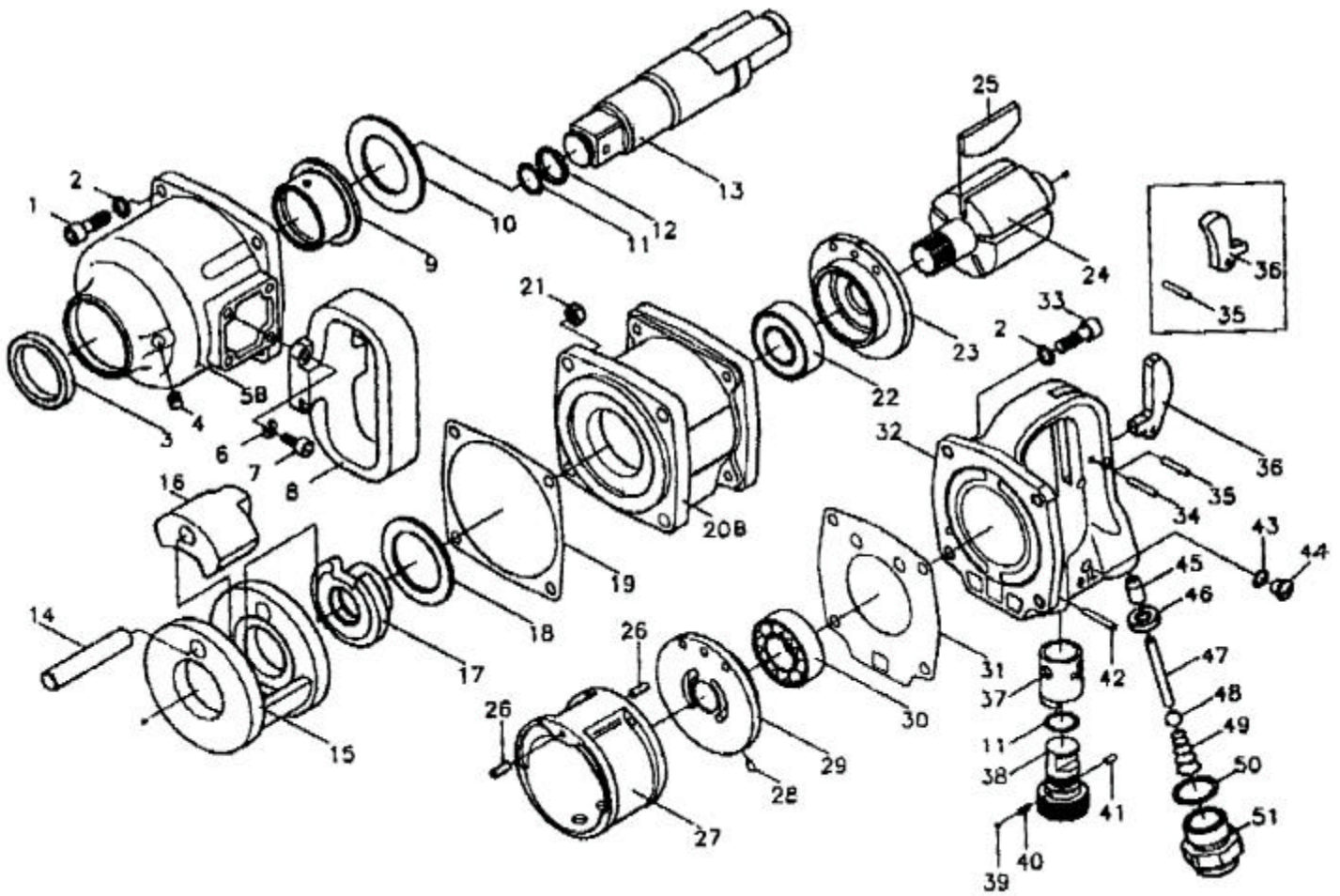


吉生 GISON

GW-30L 1" Heavy Duty Impact Wrench



PARTS LIST

✳ : Consuming Part

Item No.	Part No.	Description	Qty.	Item No.	Part No.	Description	Qty.
1	30L01	Cap Screw	4	28	30L28	Spring Pin	1
2	30L02	Spring Washer	8	29	30L29	Rear End Plate	1
3	30L03	Oil Seal	1	30	30L30	Ball Bearing	1
4	30L04	Set Screw	1	31	30L31	Roar Gasket	1
5B	30L05	Hammer Case	1	32	30L32	Handle Frame	1
6	30L06	Spring Washer	4	33	30L33	Cap Screw	4
7	30L07	Cap Screw	4	34	30L34	Spring Pin	1
8	30L08	D-Type Handle	1	35	30L35	Pin	1
9	30L09	Bushing	1	36	30L36-1	Trigger (Outer)	1
10	30L10	Front Washer	1		30L36-2	Trigger (Inner)	1
11	30L11	O-Ring	2	37	30L37	Reverse Valve Bushing	1
12	30L12	Anvil Collar	1	38	30L38	Regulator	1
13	30L13-1	2" Anvil	1	39	30L39	Steel Ball	1
	30L13-2	8" Anvil	1	40	30L40	Spring	1
14	30L14	Hammer Pin	1	41	30L41	Spring Pin	1
15	30L15	Hammer Caga	1	42	30L42	Spring Pin	1
16	30L16	Hammer Dog	1	43	30L43	O-Ring	1
17	30L17	Cam	1	44	30L44	Oil chamber Screw	1
18	30L18	Washer	1	45	30L45	Valve Bushing	1
19	30L19	Front Gasket	1	46	30L46	Bushing	1
20B	30L20	Motor Housing	1	47	30L47	Valve Stem	1
21	30L21	Lock Nut	4	48	30L48	Steel Ball	1
22	30L22	Ball Bearing	1	49	30L49	Spring	1
23	30L23	Front End Plate	1	50	30L50	O-Ring	1
24	30L24	Rotor	1	51	30L51-1	Air Inlet (1/2" PF)	1
25	30L25	Rotor Blade	5		30L51-2	Air Inlet (1/2" PT)	1
26	30L26	Spring Pin	2		30L51-3	Air Inlet (1/2" NPT)	1
27	30L27	Cylinder	1				