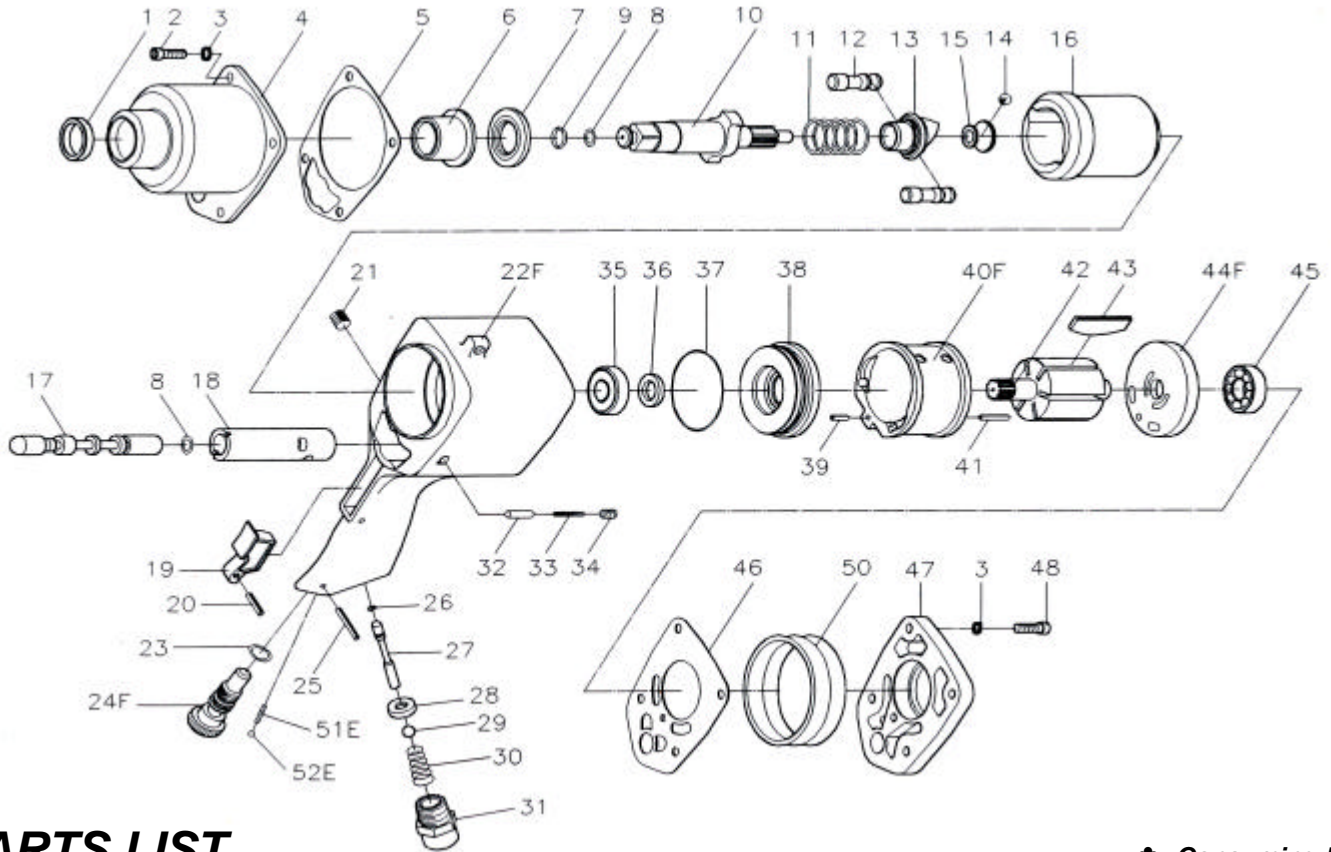


# GISON Pneumatic Tools

## GW-18D 1/2" Professional Air Wrench



### PARTS LIST

✳ : Consuming Part

Item No.	Part No.	Description	Qty.	Item No.	Part No.	Description	Qty.
1	18D001	Oil Seal	1	27	18D027	Valve Stem	1
2	18D002	Cap Screw	4	28	18D028	Bushing	1
3	18D003	Spring washer	8	29	18D029	Steel Ball	1
4	18D004	Hammer Case	1	30	18D030	Spring	1
5	18D005	Front Gasket	1	31	18D031A	Air Inlet (1/4" PF)	1
6	18D006	Anvil Bushing	1		18D031B	Air Inlet (1/4" PT)	
7	18D007	Spacer	1		18D031C	Air Inlet (1/4" NPT)	
8	18D008	O-Ring	2	32	18D032	Pin	1
9	18D009	Anvil Collar	1	33	18D033	Spring	1
10	18D010A	Anvil (1")	1	34	18D034	Set Screw	1
	18D010B	Anvil (2")		35	18D035	Ball Bearing	1
11	18D011	Spring	1	36	18D036	Oil Seal	1
12	18D012	Hammer Pin	2	37	18D037	O-Ring	1
13	18D013	Drive Cam	1	38	18D038	Front End Plate	1
14	18D014	Steel Ball	1	39	18D039	Spring Pin	1
15	18D015	Drive Foundation	1	40F	18D040	Cylinder	1
16	18D016	Hammer Cage	1	41	18D041	Spring Pin	1
17	18D017	Reverse Valve	1	42	18D042	Rotor	1
18	18D018	Valve Sleeve	1	43	18D043	Rotor Blade	6
19	18D019	Trigger	1	44F	18D044	Rear End Plate	1
20	18D020	Spring Pin	1	45	18D045	Ball Bearing	1
21	18D021	Set Screw	1	46	18D046	Rear Gasket	1
22F	18D022	Housing incl.18	1	47	18D047	Rear Cover	1
23	18D023	O-Ring	1	48	18D048	Cap Screw	4
24F	18D024	Air Regulator	1	50	18D050	Protector Rubber	1
25	18D025	Spring Pin	1	51E	18D051	Spring	1
26	18D026	O-Ring	1	52E	18D052	Steel Ball	1