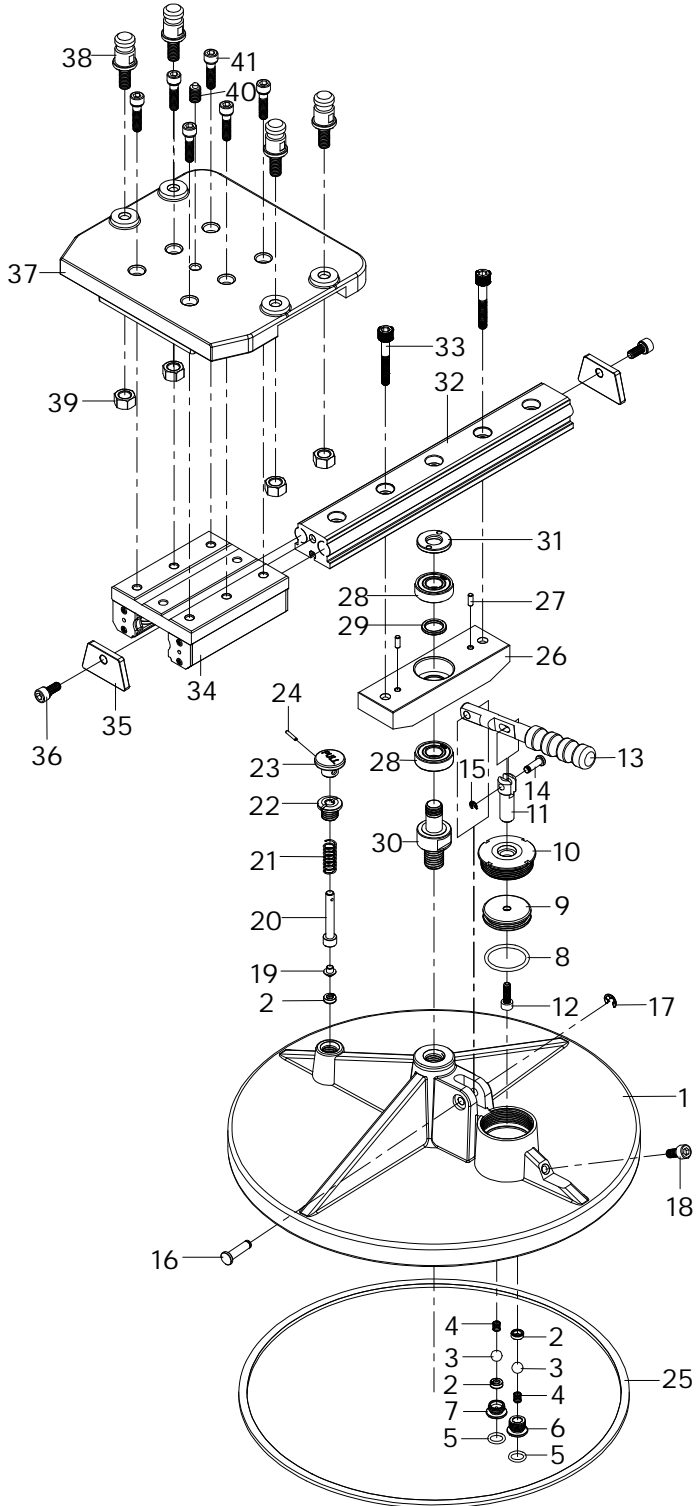




# GISON Pneumatic Tools

## GPW-510B Bracket Assembly



✳ : Consuming Part

Item No.	Part No.	Description	Qty.
1	510C40000	Bracket	1
✳ 2	SG016	Oil Seal	3
3	510C41300	Nylon Ball	2
✳ 4	S050	Spring	2
5	OR033	O-Ring	2
6	510C41400	Exhaust Bushing	1
7	510C41200	Vacuum Bushing	1
✳ 8	OR032	O-Ring	1
9	510C41100	Piston	1
10	510C41103	Vacuum Deflector	1
11	510C41102	Lever	1
12	CAP015	Cap Screw	1
13	510C40200	Vacuum Lever	1
14	510C42100	Lever dead pin	1
15	E3	E-Ring	1
16	510C40202	Dead Lever	1
17	E5	E-Ring	1
18	510C41700	Exhaust Screw	1
19	510C40301	Plug Gasket	1
20	510C40300	Decompression Lever	1
✳ 21	S041	Spring	1
22	510C40500	Decompression Nut	1
23	510C40600	Decompression Knob	1
24	SP012	Spring Pin	1
✳ 25	510C41000	Rubber Ring	1
26	510C30000	Connection Block	1
27	P020	Pin	2
✳ 28	B6001ZZ	Bearing	2
29	510A10406	Lead Screw Washer	1
30	510C40100	Bearing	1
31	510C30300	Bearing Nut	1
32	510C20000	Slide Way	1
33	CAP029	Cap Screw	2
34	510C20100	Sliding Seat	1
35	510C20101	Pendulum	2
36	CAP021	Cap Screw	2
37	510C10000	Bottom Board	1
38	510C10100	Fix Screw	4
39	NH8	Nut	4
40	5003060	Set Screw	1
41	CAP019	Cap Screw	6