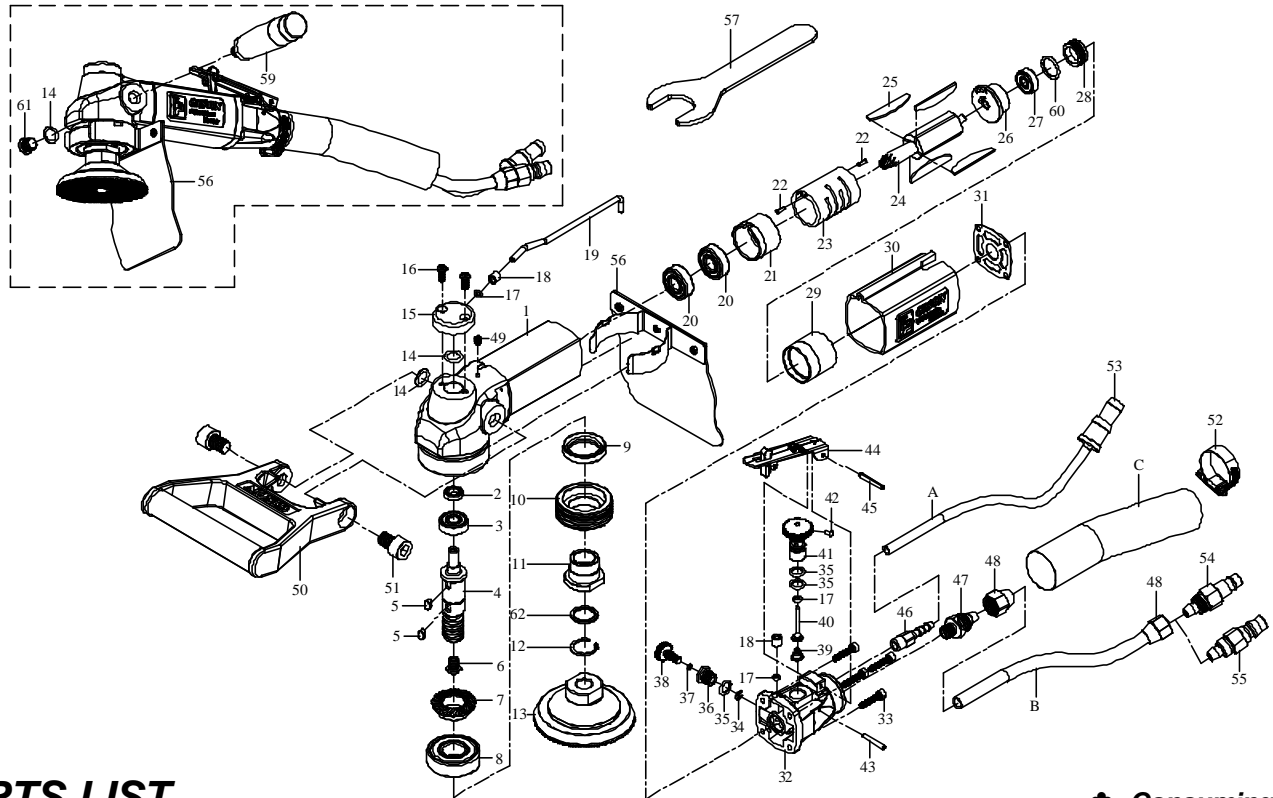


吉生 GISON

GPW-218L Pneumatic Waterfed Sander



PARTS LIST

★ :Consuming Part

| Item No. | Part No. | Description | Qty. | Item No. | Part No. | Description | Qty. |
|----------|----------|--------------------------|------|----------|----------|---------------------|------|
| 1 | 218001 | Body | 1 | 33 | CAP020 | Cap Screw | 4 |
| ★ 2 | SG009 | Oil Seal | 1 | 34 | E3 | E-Ring | 1 |
| ★ 3 | B608LLU | Bearing | 1 | 35 | OR030 | O-Ring | 3 |
| 4 | 5W027 | Main Shaft | 1 | 36 | 218L013 | Bushing | 1 |
| 5 | KC003 | Locking Key | 2 | 37 | OR001 | O-Ring | 1 |
| 6 | 829055W | Water Exit | 1 | 38 | 218L014 | Water Inlet Knob | 1 |
| ★ 7 | 5W029 | Spiral Gear | 1 | 39 | S046 | Spring | 1 |
| ★ 8 | B6203LLU | Bearing | 1 | 40 | 218L027 | Valve Pin | 1 |
| ★ 9 | SG011-1 | Oil Seal | 1 | 41 | 218L012 | Air Plunger | 1 |
| 10 | 218006 | Locking Screw Cap | 1 | 42 | DR001 | Riveter | 1 |
| 11 | 218008 | Locking Gasket | 1 | 43 | P011 | Pin | 1 |
| 12 | OR026 | Retaining Ring | 1 | 44 | 829005A | Throttle Lever | 1 |
| ★ 13 | 5W037 | Sanding Pad | 1 | 45 | SP026 | Spring Pin | 1 |
| 14 | OR006 | O-Ring | 2 | 46 | 218011 | Water Valve | 1 |
| 15 | 5W023 | Water Inlet Transfer Pos | 1 | 47 | 5W042 | Air Inlet Nozzle | 1 |
| 16 | MC007 | Screw | 2 | 48 | 5W043 | Hose Adaptor | 2 |
| 17 | OR044 | O-Ring | 3 | 49 | MS010 | Set Screw | 1 |
| 18 | 5W013-2 | Brass Cover | 2 | 50 | 218005 | C Handle | 1 |
| 19 | 218003 | Water Inlet Tube | 2 | 51 | CAP027 | Screw | 2 |
| ★ 20 | B6000LLU | Bearing | 2 | 52 | 218022 | Retainer Ring | 1 |
| 21 | 5W004 | Cylinder Cap | 1 | 53 | 5W019-1 | Water Valve | 1 |
| 22 | SP014 | Spring Pin | 2 | 54 | 218019 | Quick Joint (PT19) | 1 |
| 23 | 5W005 | Cylinder | 1 | 55 | 218020 | Quick Joint (NPT18) | 1 |
| ★ 24 | 5W006 | Rotor | 1 | 56 | 218025A | Water Shroud | 1 |
| ★ 25 | 5W007 | Blade | 4 | 57 | 5W041 | Open Spanner | 1 |
| 26 | 5W008 | Rear Cylinder Cap | 1 | 59 | 5W038 | Side Handle | 1 |
| ★ 27 | B626LLU | Bearing | 1 | 60 | OR042 | O-Ring | 1 |
| 28 | 5W010 | Dust-Proof Plug | 1 | 61 | 5W040 | Cap Screw | 1 |
| 29 | 218017 | Cylinder Bushing | 1 | 62 | 218030 | Washer | 1 |
| 30 | 218L004 | Rubber Sleeve | 1 | A | 218021 | Water Hose | 1 |
| 31 | 218018 | Gasket | 1 | B | 218023 | Air Inlet Tube | 1 |
| 32 | 218L002 | Exhaust Plate Set | 1 | C | 218024 | Air Exhaust Tube | 1 |