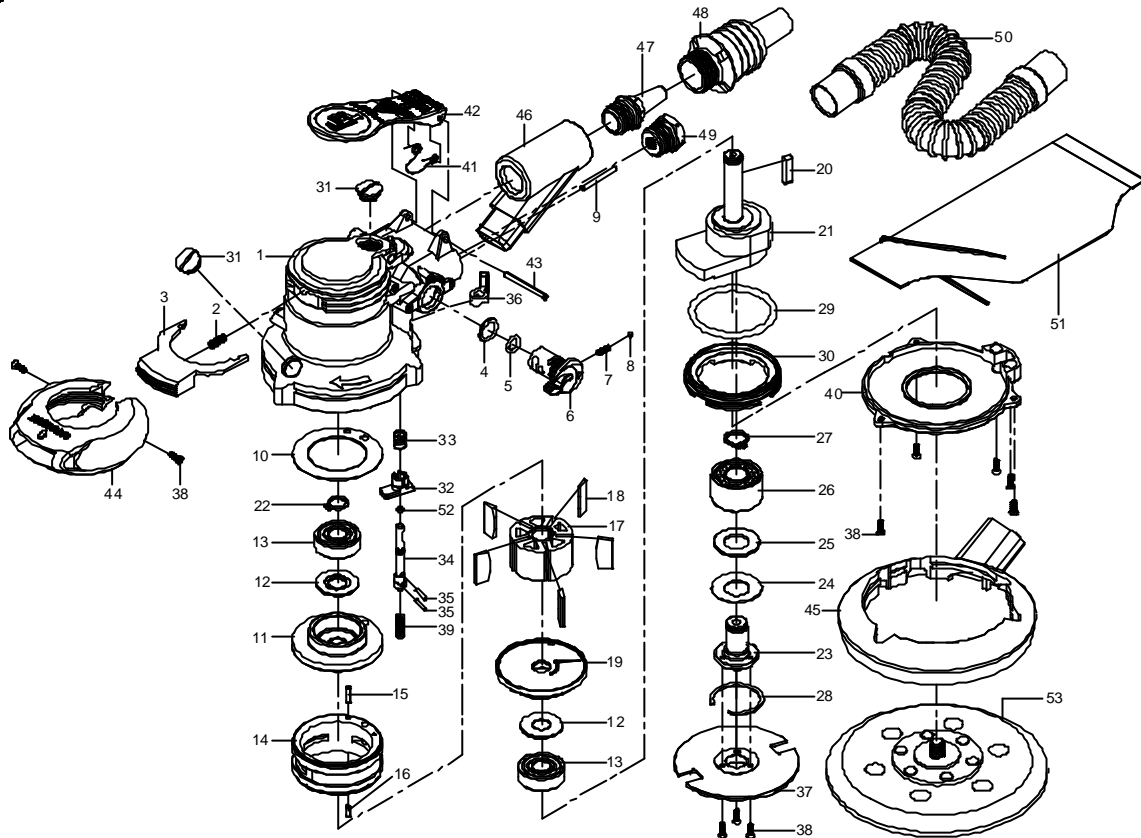


吉生 GISON

GPS-303C5AS/C6AS/C5BS/C6BS/C5CS/C6CS 5"/6" Central-Vacuum Sander
GPS-303S5AS/S6AS/S5BS/S6BS/S5CS/S6CS 5"/6" Self-Generated Sander



PARIS LIST

✳ :Consuming Part

Item No.	Part No.	Description	Qty.	Item No.	Part No.	Description	Qty.
1	303A01	Body	1	30	302A50000	Lock Ring	1
✳ 2	S023	Spring	1	31	302A10700	Screw	2
3	303A10302	Safety Button	1	32	303A10603	Driver	1
✳ 4	OR006	O-Ring	1	✳ 33	S055	Spring	1
5	OR002	O-Ring	1	34	303A10604A	Driver Piston Valve	1
6	303A10400A	Regulator	1	35	P001	Pin	2
✳ 7	S027	Spring	1	36	303A10601	Driving Valve	1
8	950010	Steel Ball	1	37	303A20401	Driving Plate	1
9	P004	Pin	1	38	MT003	Screw	10
✳ 10	302A10101	Gasket	1	✳ 39	S056	Spring	1
11	302A20100	Front Plate	1	40	303A20600	Seal Cap	1
✳ 12	302A20120	Ruber Ring	2	✳ 41	S042	Spring	1
✳ 13	B6000ZZ	Ball Bearing	2	42	302A10200	Lever	1
14	302A20000	Cylinder	1	43	SP027	Spring Pin	1
15	SP022	Spring Pin	1	44	303A10100	Body Sleeve	1
16	SP014	Spring Pin	1	45	303A30000	Shroud	1
17	302A20200	Rotor	1	46	302A4000A	Vacuum Adapter	1
✳ 18	302A20201	Rotor Blade	5	47	302A40100	Ejector	1
19	302A20110	Rear Plate	1	48	302C01	Exhauster Assy	1
20	KC008	Key	1	49	832057	Hose Adaptor	1
21	302A20300	5" Motor Shaft Balancer (5 mm)	1	50	302A40201	Dust Hose	1
	302B20300	6" Motor Shaft Balancer (5 mm)		51	302A40202	Dust Bag	1
	302B20302	5" Motor Shaft Balancer (2.5 mm)		52	OR053	O-Ring	1
	303B20302	6" Motor Shaft Balancer (2.5 mm)		53	PADS55F1	5" Stick Pad W/5 Holes	1
	303A20303	5" Motor Shaft Balancer (7 mm)			PADS56F1	5" Stick Pad W/6 Holes	
	303B20303	6" Motor Shaft Balancer (7 mm)			PADS55N2	5" Stick Pad W/5 Holes	
22	C10	Retaining Ring	PADV55F1	5" Velcro Pad W/5 Holes			
23	303A20400	Main Shaft	PADV56F1	5" Velcro Pad W/6 Holes			
24	WD28	Washer	PADV55F2	5" Velcro Pad W/5 Holes			
✳ 25	302A20301	Washer	PADS66F1	6" Stick Pad W/6 Holes			
✳ 26	B5001	Ball Bearing	PADS66N1	6" Stick Pad W/6 Holes			
27	C12	Retaining Ring	PADV66F1	6" Velcro Pad W/6 Holes			
28	IRTW028	Retaining Ring	PADV66N1	6" Velcro Pad W/6 Holes			
✳ 29	OR047	O-Ring	1				