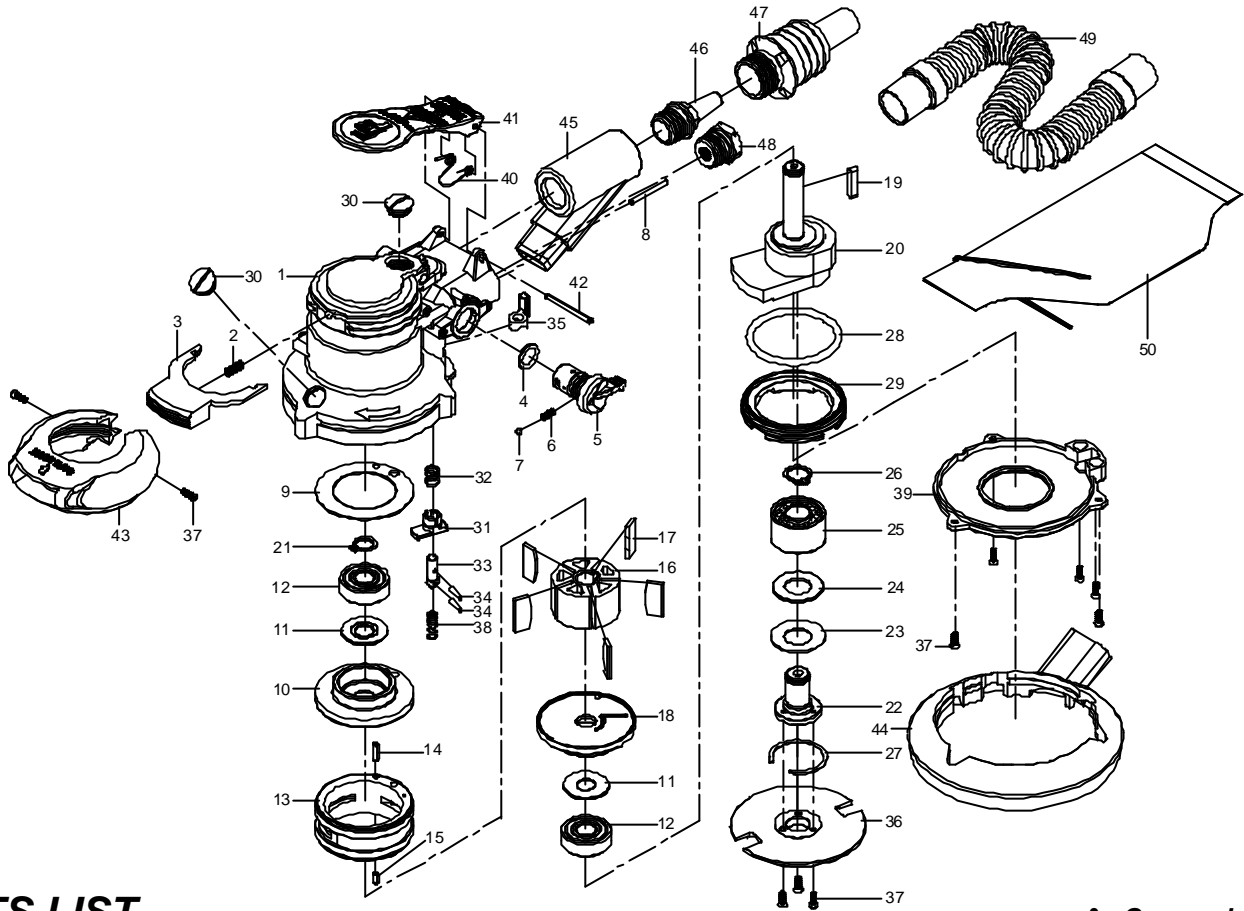


吉生 GISON

GPS-303C5A/C6A/C5B/C6B/C5C/C6C 5"/6" Central-Vacuum Sander

GPS-303S5A/S6A/S5B/S6B/S5C/S6C 5"/6" Self-Generated Sander



PARTS LIST

✳ :Consuming Part

Item No.	Part No.	Description	Qty.	Item No.	Part No.	Description	Qty.
1	303A01	Body	1	✳ 24	302A20301	Washer	1
✳ 2	S023	Spring	1	✳ 25	B5001	Ball Bearing	1
3	303A10302	Safety Button	1	26	C12	Retaining Ring	1
✳ 4	OR006	O-Ring	1	27	IRTW028	Retaining Ring	1
5	303A10400	Regulator	1	✳ 28	OR047	O-Ring	1
✳ 6	S027	Spring	1	29	302A50000	Lock Ring	1
7	950010	Steel Ball	1	30	302A10700	Screw	2
8	P004	Pin	1	31	303A10603	Driver	1
✳ 9	302A10101	Gasket	1	✳ 32	S054	Spring	1
10	302A20100	Front Plate	1	33	303A10604	Piston Valve	1
✳ 11	302A20120	Ruber Ring	2	34	P001	Pin	2
✳ 12	B6000ZZ	Ball Bearing	2	35	303A10601	Driving Valve	1
13	302A20000	Cylinder	1	36	303A20401	Driving Plate	1
14	SP022	Spring Pin	1	37	MT003	Screw	10
15	SP014	Spring Pin	1	✳ 38	S053	Spring	1
16	302A20200	Rotor	1	39	303A20600	Seal Cap	1
✳ 17	302A20201	Rotor Blade	5	✳ 40	S042	Spring	1
18	302A20110	Rear Plate	1	41	302A10200	Lever	1
19	KC008	Key	1	42	SP027	Spring Pin	1
20	302A20300	5" Motor Shaft Balancer (5 mm)	1	43	303A10100	Body Sleeve	1
	302B20300	6" Motor Shaft Balancer (5 mm)		44	303A30000	Shroud	1
	302B20302	5" Motor Shaft Balancer (2.5 mm)		45	302A4000A	Vacuum Adapter	1
	303B20302	6" Motor Shaft Balancer (2.5 mm)		46	302A40100	Ejector	1
	303A20303	5" Motor Shaft Balancer (7 mm)		47	302C01	Exhauster Assy	1
	303B20303	6" Motor Shaft Balancer (7 mm)		48	832057	Hose Adaptor	1
21	C10	Retaining Ring	1	49	302A40201	Dust Hose	1
22	303A20400	Main Shaft	1	50	302A40202	Dust Bag	1
23	WD28	Washer	1				