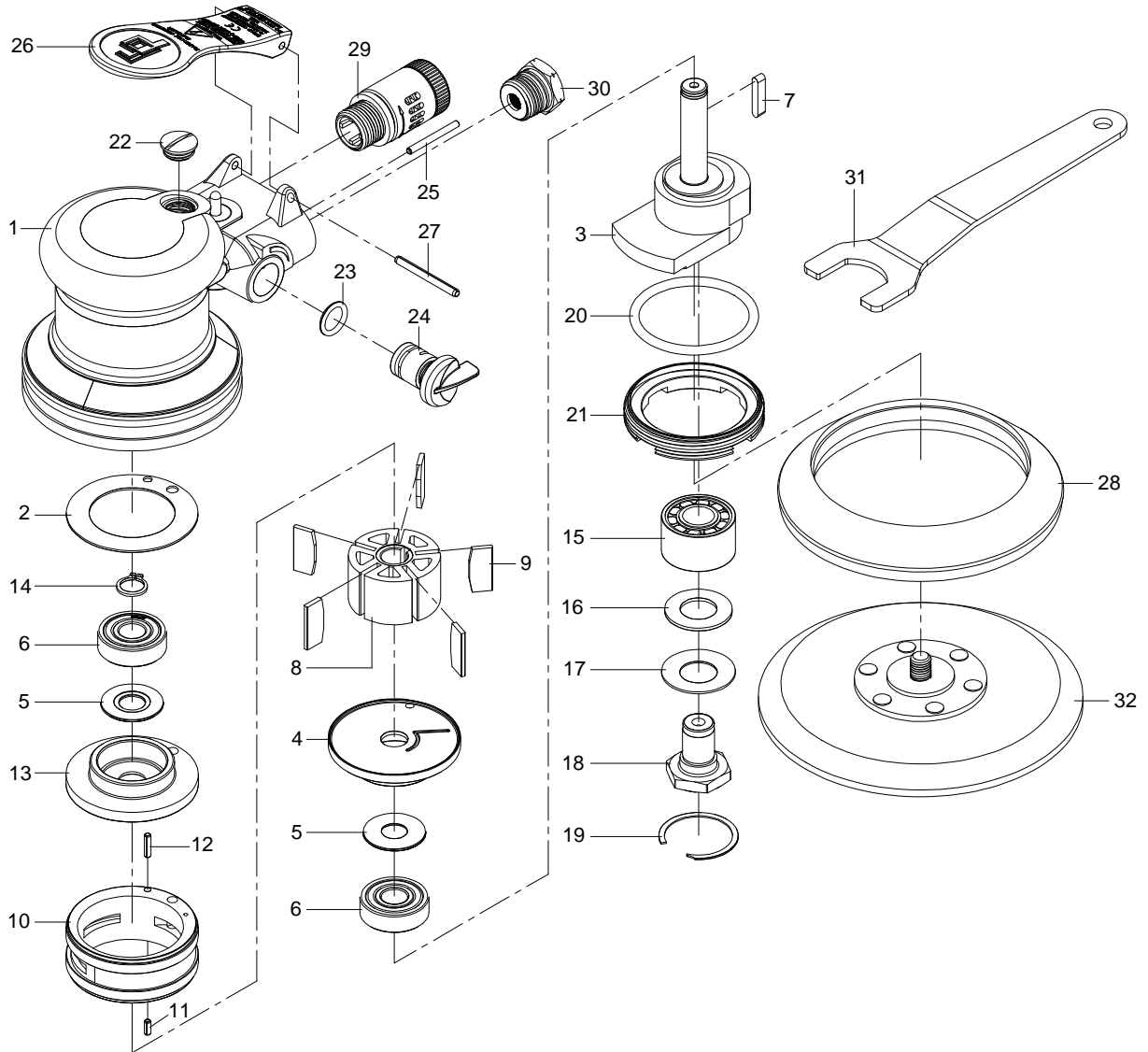




GISON Pneumatic Tools

GPS-301N5A/N6A/N5B/N6B 5"/6" Non-Vacuum Sander



PARTS LIST

☛: Consuming Parts

Item No.	Part No.	Description	Qty.	Item No.	Part No.	Description	Qty.
1	302A01	Body	1	☛ 19	IRTW028	Retaining Ring	1
☛ 2	302A10101	Gasket	1	☛ 20	OR047	O-Ring	1
3	302A20300	5" Motor Shaft Balancer (5 mm)	1	21	302A50000	Lock Ring	1
	302B20300	6" Motor Shaft Balancer (5 mm)		22	302A10700	Screw	1
	302A20302	5" Motor Shaft Balancer (2.5 mm)		☛ 23	OR006	O-Ring	1
	302B20302	6" Motor Shaft Balancer (2.5 mm)		24	302A10600	Regulator	1
4	302A20110	Rear Plate	1	25	P004	Pin	1
☛ 5	302A20120	Rubber Ring	2	26	302A10200	Lever	1
☛ 6	B6000ZZ	Ball Bearing	2	27	SP027	Spring Pin	1
7	KC008	Locking Key	1	28	302A30001	Shroud	1
8	302A20200	Rotor	1	29	302D01	Muffer Set	1
☛ 9	302A20201	Rotor Blade	5	30	832057	Hose Adaptor	1
10	302A20000	Cylinder	1	31	301T60000	Spanner For Main Shaft	1
11	SP014	Spring Pin	1	32	PADS50F1	5" Stick Pad W/O Holes	1
12	SP022	Spring Pin	1		PADS50N2	5" Stick Pad W/O Holes	
13	302A20100	Front Plate	1		PADV50F1	5" Velcro Pad W/O Holes	
14	C10	Retaining Ring	1		PADV50N2	5" Velcro Pad W/O Holes	
☛ 15	B5001	Ball Bearing	1		PADS60F1	6" Stick Pad W/O Holes	
☛ 16	302A20301	Washer	1		PADS60N2	6" Stick Pad W/O Holes	
17	WD28	Washer	1		PADV60F1	6" Velcro Pad W/O Holes	
18	301A20400	Spindle	1		PADV60N2	6" Velcro Pad W/O Holes	