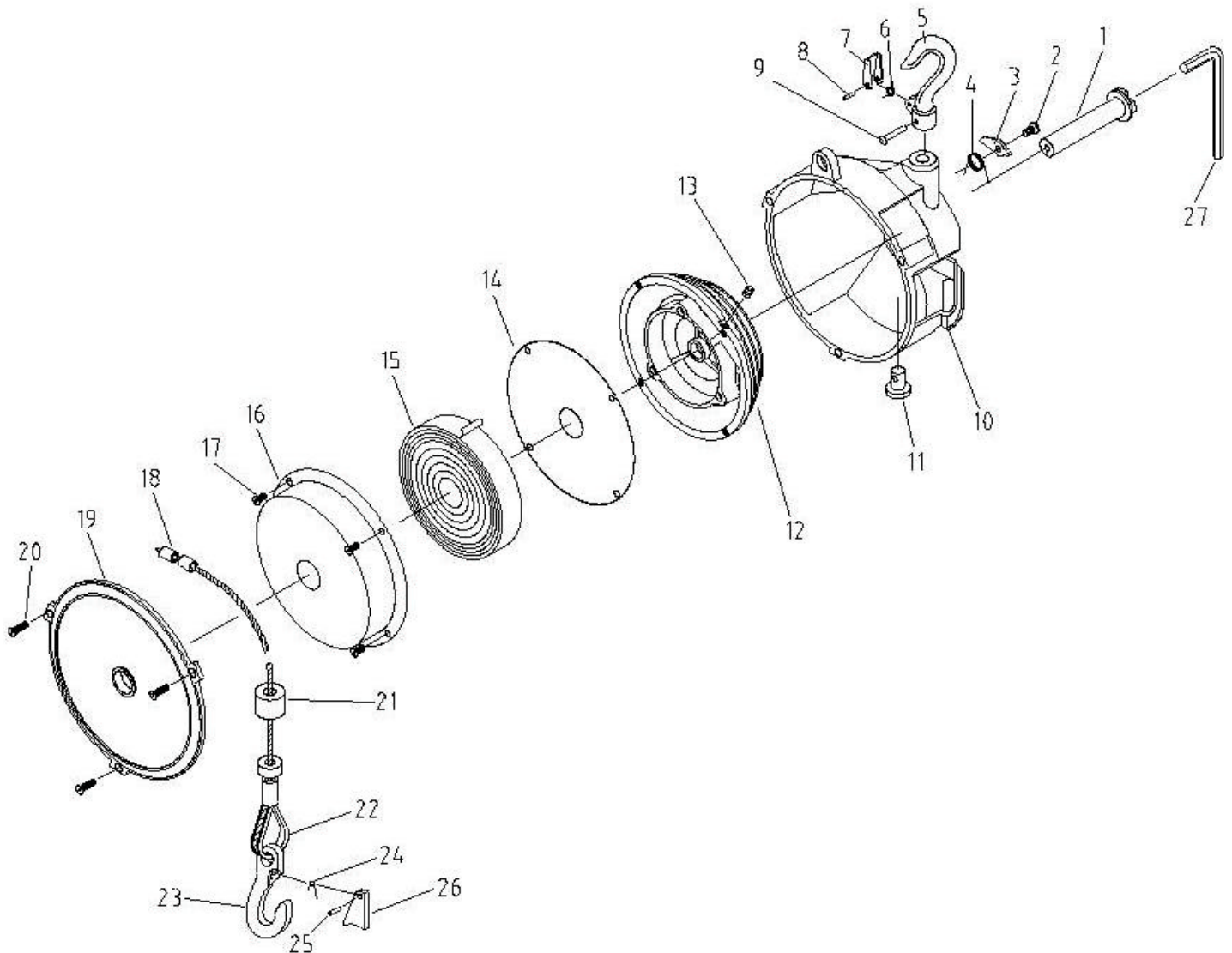




# GISON Pneumatic Tools

## GP-SB01/SB02I Spring Balancer



### PARTS LIST

✳ :Consuming Part

Item No.	Part No.	Description	Qty.	Item No.	Part No.	Description	Qty.
1	SB01101	Spindle	1	13	SB01113	Screw 3/8" x 3/8"	1
2	SB01102	Screw 5/16" x 5/8"	1	14	SB01114	Spring Cover	1
3	SB01103	Ratchet	1	15~16	SB01115~16	Spring Plate Set (SB01I)	1
4	SB01104	Ratchet Spring	1		SB02115~16	Spring Plate Set (SB02I)	
5	SB01105	Hanger	1	17	SB01117	Screw M5 x 8	4
6	SB01106	Latch Spring	1	18	SB01118	Terminal B-22	2
7	SB01107	Latch	1	19	SB01119	Cover	1
8	SB01108	Pin 3 x 12	1	20	SB01120	Screw 5 x 15	3
9	SB01109	Rivet 5 x 25	1	21	SB01121	Rubber Stop	1
10	SB01110	Casing	1	22~26	SB01122~26	Cable Set	1
11	SB01111	Shaft	1	27	SB01127	Spanner Key 6 mm	1
12	SB01112	Drum	1				