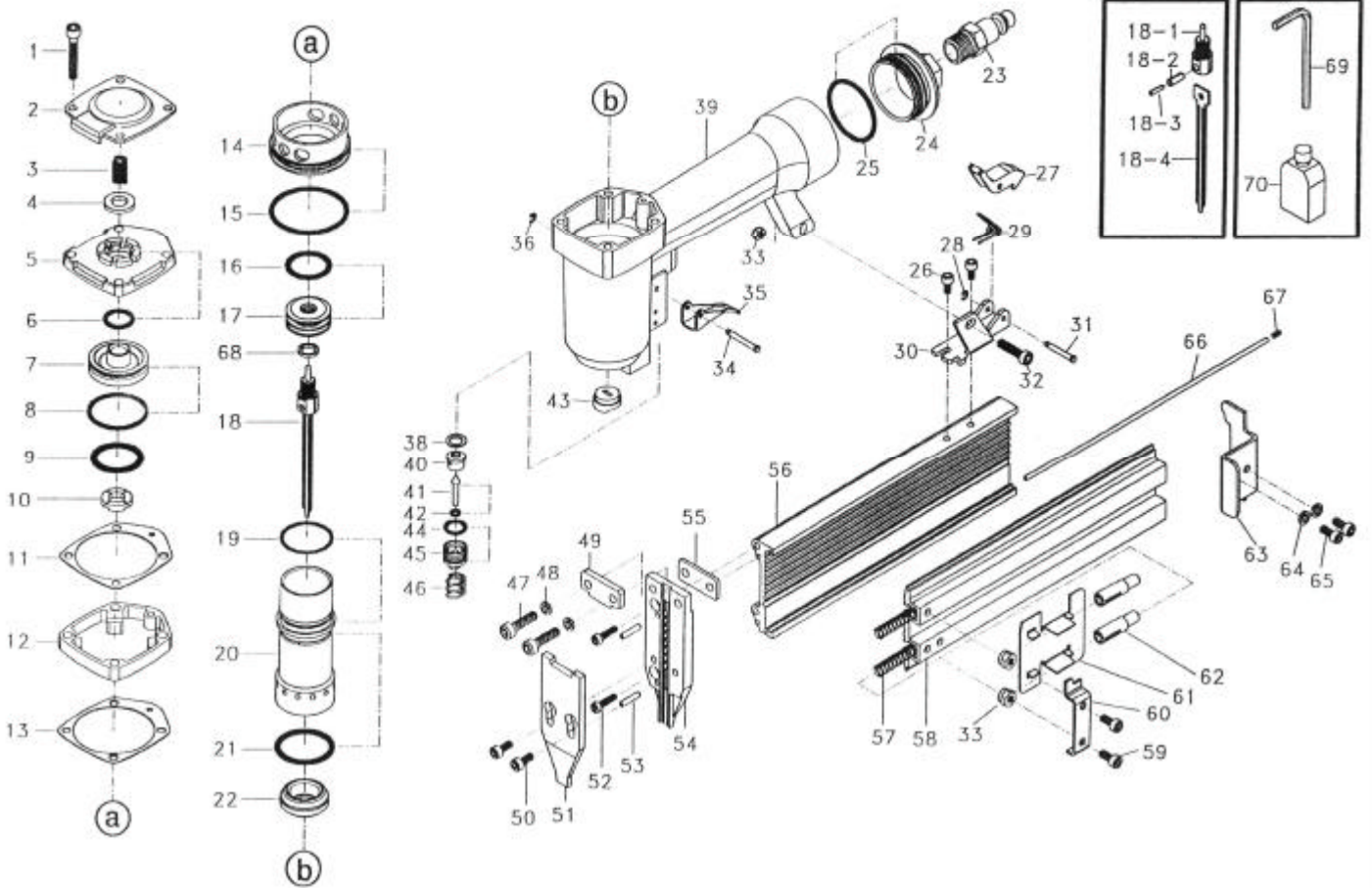


吉生 GISON

GP-F18/50A Medium Wire Finish Nailer



PARTS LIST

☛ : Consuming Part

Item No.	Part No.	Description	Qty.	Item No.	Part No.	Description	Qty.	Item No.	Part No.	Description	Qty.
1	KM0527	Hex.Soc.Hd.Bolt (M5x0.8-30L)	4	22	UA0201	Bumper	1	48	KG0503	Spring Washer (∅5)	2
2	FB2701	Exhaust Cap	1	23	PA3001	Coupling Plug (1/4")	1	49	FB1801	Cover Plate (A)	1
3	FB2401	Compression Spring	1	24	CC0801	End Cap	1	50	KM0509	Hex.Soc.HD.Bolt (M5x0.8-10L)	2
4	FB2501	Seal	1	25	KO3703	O-Ring (ARP568-127)	1	51	FB0401	Cover Plate (B)	1
5	FB2201	Cylinder Cap	1	26	KM0406	Hex.Soc.HD.Bolt (M4x0.7-8L)	2	52	KM0412	Hex.Soc.HD.Bolt (M4x0.7-12L)	2
6	KO1403	O-Ring (P14)	1	27	FA1401	Latch	1	53	KS3006	Spring Pin (∅3-16L)	2
7	FB2301	Head Valve Piston	1	28	KE2503	E-Ring (∅2.5)	1	54	FB0501	Guide Plate	1
8	KO3206	O-Ring (31.8x2.4)	1	29	FA2001	Latch Spring	1	55	FE0601	Spacer	1
9	KO2503	O-Ring (1B) (P25)	1	30	FA1501	Support	1	56	FB0201	Magazine Seat	1
10	FB3601	Piston Stop	1	31	PA3901	Latch Pin	1	57	FB0901	Pusher Spring	2
11	FB2601	Cap Seal	1	32	KM0518	Hex.Soc.HD.Bolt (M5x0.8-20L)	1	58	FB0101	Magazine Cap	1
12	FB3301	Cap	1	33	KN0503	Hex. Nut.	3	59	KM0509	Hex.Soc.HD.Bolt (M5x0.8-10L)	2
13	FB2601	Cap Seal	1	34	FB3201	Trigger Pin	1	60	FB0601	Pusher Stop	1
14	FB2801	Collar	1	35	UE1801	Trigger	1	61	FB1001	Pusher	1
15	KO4303	O-Ring (ARP568-131)	1	36	KE2503	E-Ring (∅2.5)	1	62	FB0801	Pusher Pin	2
16	JO2203	O-Ring (22x3)	1	38	UE1501	Seal	1	63	FB1001	Stop Plate	1
17	FB2901	Main Piston	1	39	FB2101	Body	1	64	KG0403	Spring Washer (∅4)	2
18	FG1401	Driver Assy.	1	40	UE1701	Trigger Valve Seat	1	65	KM0418	Hex.Soc.HD.Bolt (M4x0.7-16L)	2
18-1	UA0801	Stem	1	41	UE1401	Trigger Valve Stem	1	66	FA1601	Bar	1
18-2	KS4003	Spring Pin (∅4-10L)	1	42	KO0203	O-Ring (1.8x1.8)	1	67	KK0303	Hex.Soc.HD.Screw(M3x0.5-4L)	1
18-3	KS2503	Spring Pin (∅2.5-10L)	1	43	FB3401	Nozzle	1	68	KW0806	Spacer (∅8x∅12x1.85)	1
18-4	FG1502	Driver	1	44	KO1006	O-Ring (P10)	1	69	KA0402	Hex. Bar Wrench (D4)	1
19	KO2903	O-Ring (ARP568-024)	1	45	UE1601	Trigger Valve Guide	1	70	KZ0004	Oil Box	1
20	FA3201	Cylinder	1	46	UE1301	Compression Spring	1				
21	KO3006	O-Ring (G30)	1	47	KM0518	Hex.Soc.HD.Bolt (M5x0.8-20L)	2				