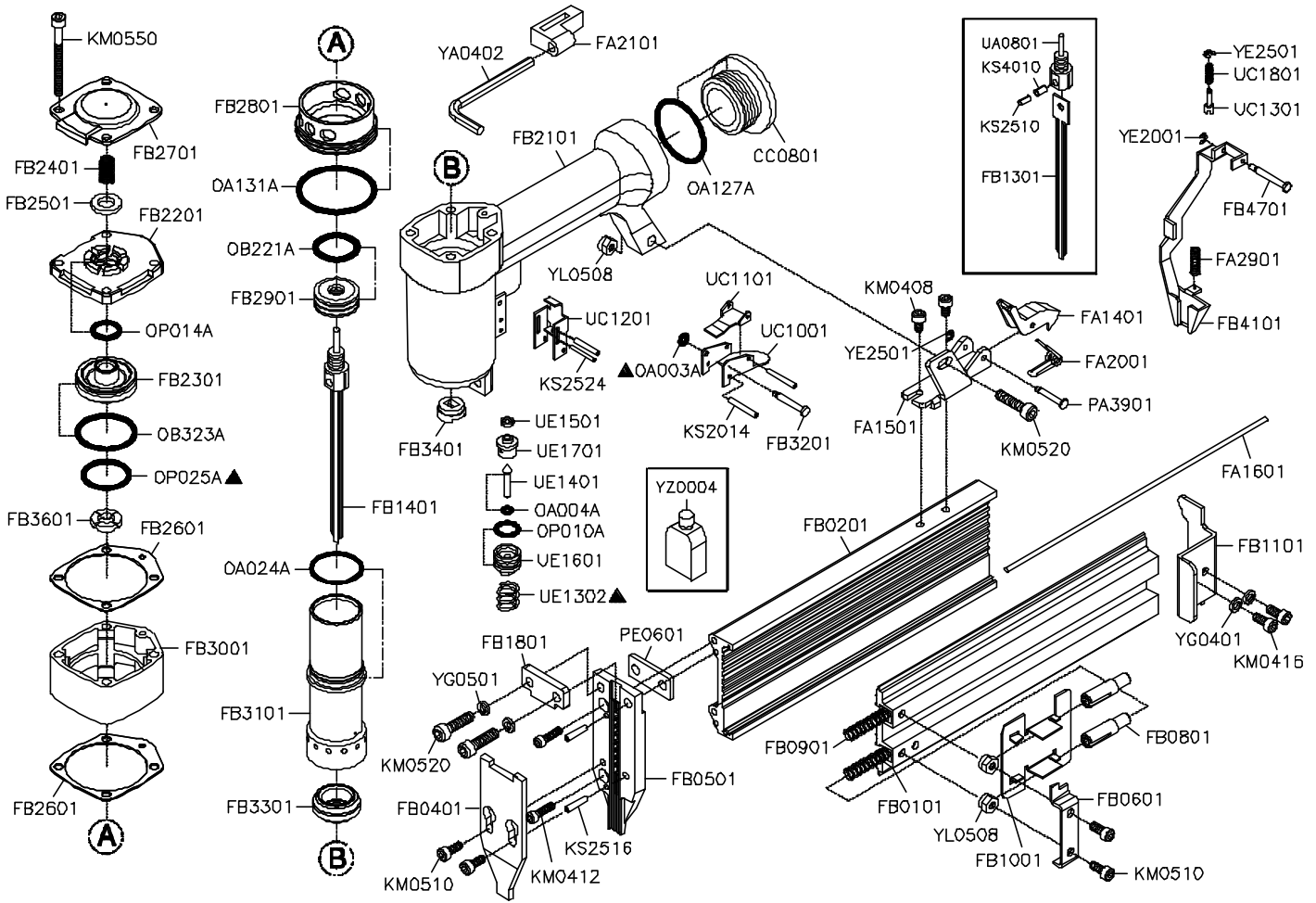


# 吉生 GISON

## GP-F18/50 Medium Wire Finish Nailer



### PARTS LIST

✳ :Consuming Part

Item No.	Part No.	Description	Qty.	Item No.	Part No.	Description	Qty.	Item No.	Part No.	Description	Qty.
1	CC0801	End Cap	1	23	FB2801	Collar	1	49	OB221A	O-Ring (22 × 3)	1
2	FA1401	Latch	1	24	FB2901	Main Piston	1	50	OB323A	O-Ring (31.8 × 24)	1
3	FA1501	Support	1	25	FB3001	Cap	1	51	OP010A	O-Ring (P10)	1
4	FA1601	Bar	1	26	FB3101	Cylinder	1	52	OP014A	O-Ring (P14)	1
5	FA2001	Latch Spring	1	27	FB3201	Trigger Pin	1	53	OP025A	O-Ring (P25)	1
6	FA2101	Wrench Set	1	28	FB3301	Bumper	1	54	PA3901	Latch Pin	1
7	FA2901	Spring	1	29	FB3401	Nözzle	1	55	PE0601	Spacer	1
8	FB0101	Magazine Cap	1	30	FB3601	Piston Stop	1	56	UA0801	Stem	1
9	FB0201	Magazine Seat	1	31	FB4101	Safety	1	57	UC1001	Trigger	1
10	FB0401	Cover Plate (B)	1	32	FB4701	Safety Pin	1	58	UC1101	Contact Lever	1
11	FB0501	Guide Plate	1	33	KM0408	Hex.Soc.Hd.Bolt (M4 × 0.7-8L)	2	59	UC1201	Safety Set	1
12	FB0601	Pusher Stop	1	34	KM0412	Hex.Soc.Hd.Bolt (M4 × 0.7-12L)	2	60	UC1301	Shaft	1
13	FB0801	Pusher Pin	2	35	KM0416	Hex.Soc.Hd.Bolt (M4 × 0.7-16L)	2	61	UC1801	Spring	1
14	FB0901	Pusher Spring	2	36	KM0510	Hex.Soc.Hd.Bolt (M5 × 0.8-10L)	4	62	UE1302	Compression Spring	1
15	FB1001	Pusher	1	37	KM0520	Hex.Soc.Hd.Bolt (M5 × 0.8-20L)	3	63	UE1401	Trigger Valve Stem	1
16	FB1101	Stop Plate	1	38	KM0550	Hex.Soc.Hd.Bolt (M5 × 0.8-50L)	4	64	UE1501	Seal	1
17	FB1301	Driver	1	39	KS2014	Spring Pin (Ø2.0 × 14L)	1	65	UE1601	Trigger Valve Guide	1
18	FB1401	Driver Assy.	1	40	KS2510	Spring Pin (Ø2.5 × 10L)	1	66	UE1701	Trigger Valve Seat	1
18-1	FB1801	Cover Plate (A)	1	41	KS2516	Spring Pin (Ø2.5 × 16L)	2	67	YA0402	Hex.Bar Wrench (D4)	1
18-2	FB2101	Body	1	42	KS2524	Spring Pin (Ø2.5 × 24L)	1	68	YE2001	E-Ring (Ø2.0)	1
18-3	FB2201	Cylinder Cap	1	43	KS4010	Spring Pin (Ø4 × 10L)	1	69	YE2501	E-Ring (Ø2.5)	2
18-4	FB2301	Head Valve Piston	1	44	OA003A	O-Ring (ARP568-003)	1	70	YG0401	Spring Washer (Ø4)	2
19	FB2401	Compression Spring	1	45	OA004A	O-Ring (ARP568-004)	1	71	YG0501	Spring Washer (Ø5)	2
20	FB2501	Seal	1	46	OA024A	O-Ring (ARP568-024)	1	72	YL0508	Lock Nut (M5 × 0.8)	3
21	FB2601	Cap Seal	2	47	OA127A	O-Ring (ARP568-127)	1	73	YZ0004	Oil Box	1
22	FB2701	Exhaust Cap	1	48	OA131A	O-Ring (ARP568-131)	1				

If you need to order parts, please mark both **Part No.** and **Description.**