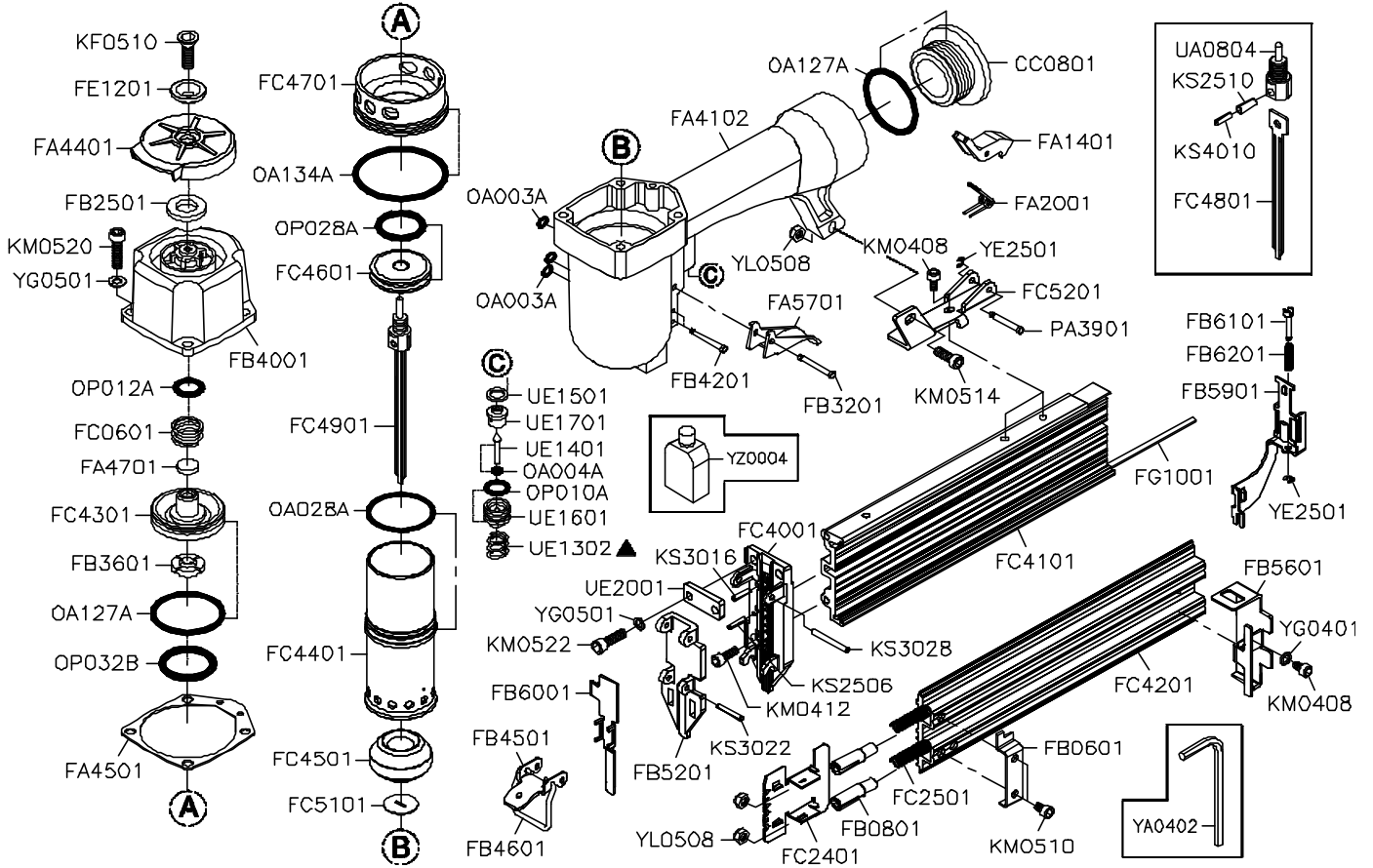


# 吉生 GISON

## GP-F16/50L Medium Duty Air Stapler



### PARTS LIST

★ :Consuming Part

Item No.	Part No.	Description	Qty.	Item No.	Part No.	Description	Qty.	Item No.	Part No.	Description	Qty.
1	CC0801	End Cap	1	27	FC4001	Guide Plate	1	53	KS4010	Spring Pin (Ø4 × 10L)	1
2	FA1401	Latch	1	28	FC4101	Magazine Seat	1	54	OA003A	O-Ring (ARP568-003)	3
3	FA2001	Latch Spring	1	29	FC4201	Magazine Cap	1	55	OA004A	O-Ring (ARP568-004)	1
4	FA4102	Body	1	30	FC4301	Head Valve Piston	1	56	OA028A	O-Ring (ARP568-028)	1
5	FA4401	Exhaust Cap	1	31	FC4401	Cylinder	1	57	OA127A	O-Ring (ARP568-127)	2
6	FA4501	Cap Seal	1	32	FC4501	Bumper	1	58	OA134A	O-Ring (ARP568-134)	1
7	FA4701	Seal	1	33	FC4601	Main Piston	1	59	OP010A	O-Ring (P10)	1
8	FA5701	Trigger	1	34	FC4701	Cylinder Ring	1	60	OP012A	O-Ring (P12)	1
9	FB0601	Pusher Stop	1	35	FC4801	Driver	1	61	OP028A	O-Ring (P28)	1
10	FB0801	Pusher Pin	2	36	FC4901	Driver Assy.	1	62	OP032B	O-Ring (1B) (P32)	1
11	FB2501	Pu Washer	1	37	FC5101	Nozzle	1	63	PA3901	Latch Pin	1
12	FB3201	Trigger Pin	1	38	FC5201	Support	1	64	UA0804	Stem	1
13	FB3601	Piston Stop	1	39	FE1201	Exhaust Cap Ring	1	65	UE1302	Compression Spring	1
14	FB4001	Cylinder Cap	1	40	FG1001	Bar	1	66	UE1401	Trigger Valve Stem	1
15	FB4201	Roller Pin	2	41	KF0510	Button Hd.Bolt (M5 × 0.8-10L)	1	67	UE1501	Seal	1
16	FB4501	Support Set	1	42	KM0408	Hex.Soc.Hd.Bolt (M4 × 0.7-8L)	3	68	UE1601	Trigger Valve Guide	1
17	FB4601	Fixed Pin	1	43	KM0412	Hex.Soc.Hd.Bolt (M4 × 0.7-12L)	2	69	UE1701	Trigger Valve Seat	1
18	FB5201	Door	1	44	KM0510	Hex.Soc.Hd.Bolt (M5 × 0.8-10L)	2	70	UE2001	Cover Plate (A)	1
19	FB5601	Stop Plate	1	45	KM0514	Hex.Soc.Hd.Bolt (M5 × 0.8-14L)	1	71	YA0402	Hex Bar Wrench (D4)	1
20	FB5901	Safety(B)	1	46	KM0520	Hex.Soc.Hd.Bolt (M5 × 0.8-20L)	4	72	YE2501	E-Ring (Ø2.5)	2
21	FB6001	Safety(A)	1	47	KM0522	Hex.Soc.Hd.Bolt (M5 × 0.8-22L)	2	73	YG0401	Spring Washer (Ø4)	1
22	FB6101	Safety Spring Shaft	1	48	KS2506	Spring Pin (Ø2.5 × 6L)	1	74	YG0501	Spring Washer (Ø5)	6
23	FB6201	Safety Spring	1	49	KS2510	Spring Pin (Ø2.5 × 10L)	1	75	YL0508	Lock Nut (M5 × 0.8)	3
24	FC0601	Compression Spring	1	50	KS3016	Spring Pin (Ø3 × 16L)	2	76	YZ0004	Oil Box	1
25	FC2401	Pusher	1	51	KS3022	Spring Pin (Ø3 × 22L)	1				
26	FC2501	Pusher Spring	2	52	KS3028	Spring Pin (Ø3 × 28L)	1				