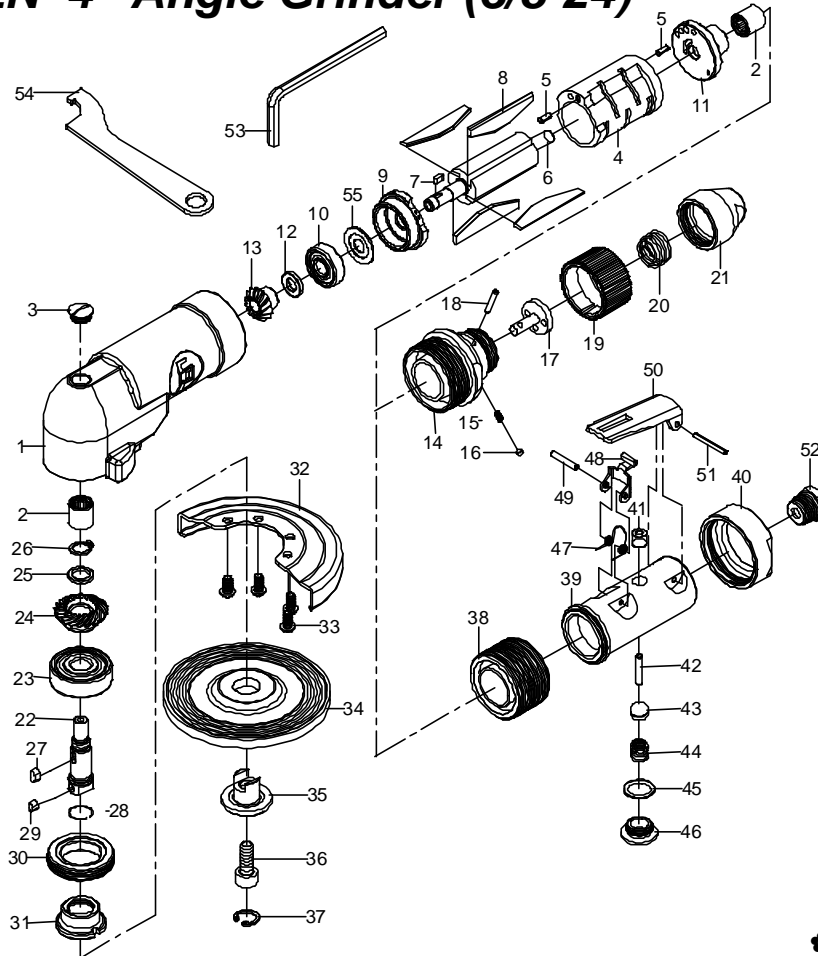


吉生 GISON

GP-971N/LN 4" Angle Grinder (3/8-24)



PARTS LIST

⚙ : Consuming Part

| Item No. | Part No. | Description | Qty. | Item No. | Part No. | Description | Qty. |
|----------|----------|----------------|------|----------|----------|----------------|------|
| 1 | 97101000 | Body | 1 | 29 | KC006 | Key | 1 |
| 2 | B815 | Pin Bearing | 2 | 30 | 9710406A | Nut | 1 |
| 3 | 97101020 | Screw | 1 | 31 | 9710502A | Disc Wheel Nut | 1 |
| ⚙ 4 | 97102000 | Cylinder | 1 | 32 | 97105000 | Disc Cover | 1 |
| 5 | SP025 | Spring Pin | 2 | 33 | MC003 | Screw | 4 |
| 6 | 97102A10 | Rotor | 1 | 34 | 832034 | Disc Wheel | 1 |
| 7 | KC002 | Key | 1 | 35 | 9710503A | Stone Flange | 1 |
| ⚙ 8 | 97102012 | Rotor Blade | 4 | 36 | CAP009 | Cap Screw | 1 |
| 9 | 97102020 | Front Plate | 1 | 37 | R14 | Retaining Ring | 1 |
| 10 | B629ZZ | Ball Bearing | 1 | 38 | 971A3000 | Lock Ring | 1 |
| 11 | 97102030 | Rear Plate | 1 | 39 | 971A3010 | Handle | 1 |
| 12 | 97102040 | Washer | 1 | 40 | 971A3020 | Coupling Cup | 1 |
| ⚙ 13 | 97102050 | Pinion Gear | 1 | 41 | 971A3011 | Valve Bushing | 1 |
| 14 | 97103000 | Valve Housing | 1 | 42 | P017 | Pin | 1 |
| 15 | S011 | Spring | 1 | ⚙ 43 | 971A3015 | Nylon Ball | 1 |
| 16 | 380022 | Steel Ball | 1 | 44 | S043 | Spring | 1 |
| ⚙ 17 | 97103020 | Throttle Valve | 1 | 45 | OR021 | O-Ring | 1 |
| 18 | P014 | Valve Pin | 1 | 46 | 971A3013 | Valve Screw | 1 |
| 19 | 97103040 | Valve Ring | 1 | ⚙ 47 | S042 | Spring | 1 |
| 20 | 832038 | Coil Spring | 1 | ⚙ 48 | 971A3040 | Safety Trigger | 1 |
| 21 | 97103060 | Valve Joint | 1 | 49 | SP031 | Spring Pin | 1 |
| 22 | 9710400A | Gear Shaft | 1 | 50 | 971A303A | Lever | 1 |
| 23 | B6301ZZ | Ball Bearing | 1 | 51 | SP032 | Spring Pin | 1 |
| ⚙ 24 | 97104030 | Bevel Gear | 1 | 52 | 832057 | Hose Adaptor | 1 |
| 25 | 97104040 | Washer | 1 | 53 | 9710505A | Hex. Spanner | 1 |
| 26 | C10 | Retaining Ring | 1 | 54 | 97105050 | Stop spanner | 1 |
| 27 | KC003 | Key | 1 | 55 | 97102060 | Washer | 1 |
| 28 | 9710504A | C-Ring | 1 | | | | |