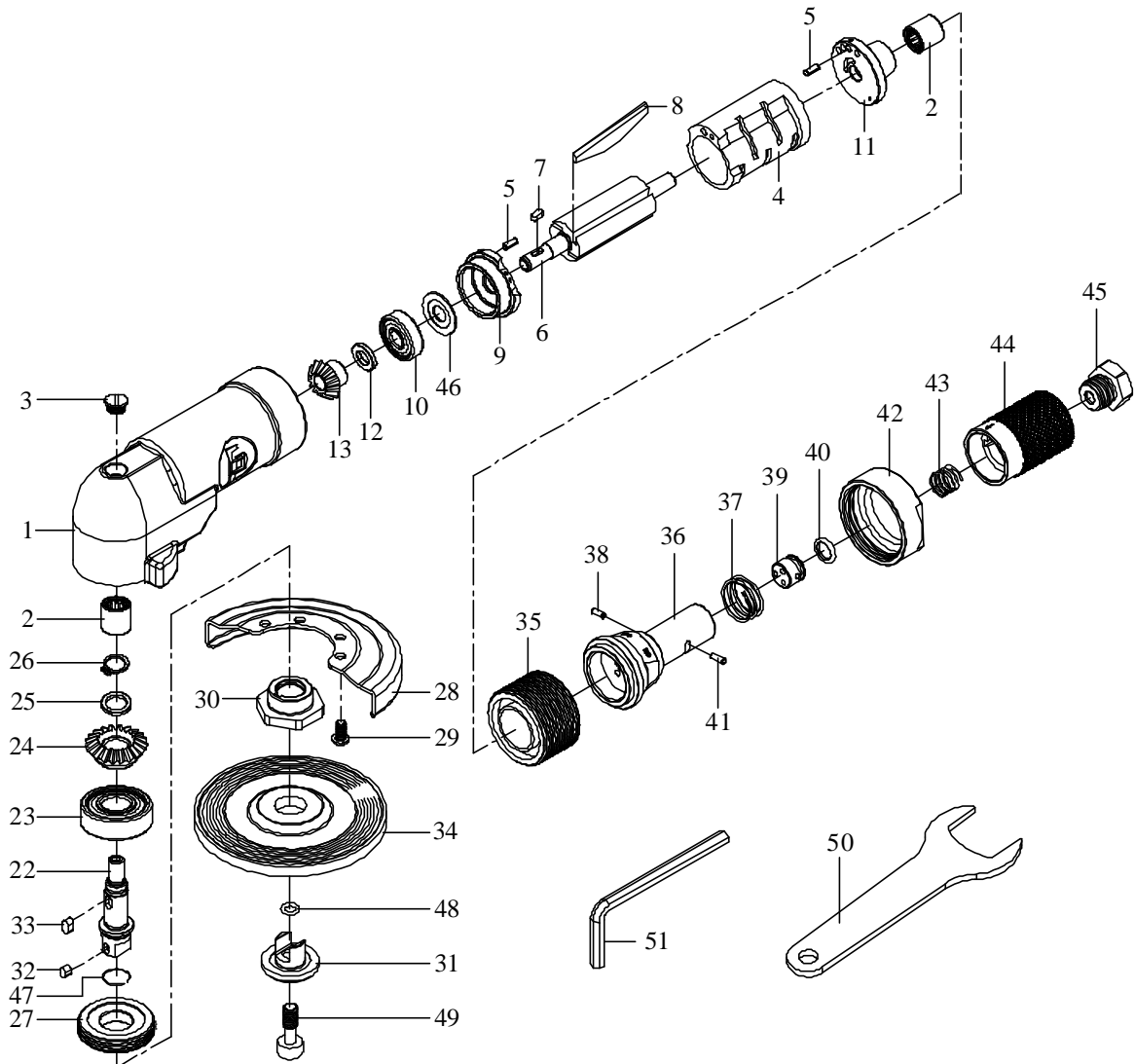


# 吉生 GISON

## GP-971A 4" Angle Grinder (ON/OFF Switch)



### PARTS LIST

✳ : Consuming Part

Item No.	Part No.	Description	Qty.	Item No.	Part No.	Description	Qty.
1	97101000	Body	1	31	9710503B	Disc Receiver	1
2	B815	Pin Bearing	2	32	KC006	Key	1
3	97101020	Screw	1	33	KC003	Key	1
✳ 4	97102000	Cylinder	1	34	832034	Disc Wheel	1
5	SP025	Spring Pin	2	35	971A3000	Lock Ring	1
6	97102A10	Rotor	1	36	971A5000	Safety Switch	1
7	KC002	Key	1	✳ 37	S045	Spring	1
✳ 8	97102012	Rotor Blade	4	38	P008	Pin	1
9	97102020	Front Plate	1	39	971A5001	Air Inlet Valve	1
10	B629ZZ	Ball Bearing	1	40	OR016	O-Ring	1
11	97102030	Rear Plate	1	41	P015	Pin	1
12	97102040	Washer	1	42	971A3020	Coupling	1
✳ 13	97102050	Pinion Gear	1	✳ 43	S016	Spring	1
22	9710400A1	Gear Shaft	1	44	971A5002	Safety Valve Ring	1
23	B6301ZZ	Ball Bearing	1	45	971A5003	Hose Adaptor	1
✳ 24	97104030	Bevel Gear	1	46	97102060	Washer	1
25	97104040	Washer	1	47	9710504A	C-Ring	1
26	C10	Retaining Ring	1	48	OR022	O-Ring	1
27	97104060	Nut	1	49	9710407B	Cap Screw	1
28	97105000	Disc Cover	1	50	9710550A1	Open Spanner	1
29	MC003	Screw	4	51	9710505A	Hex. Spanner	1
30	9710502B	Disc Nut	1				