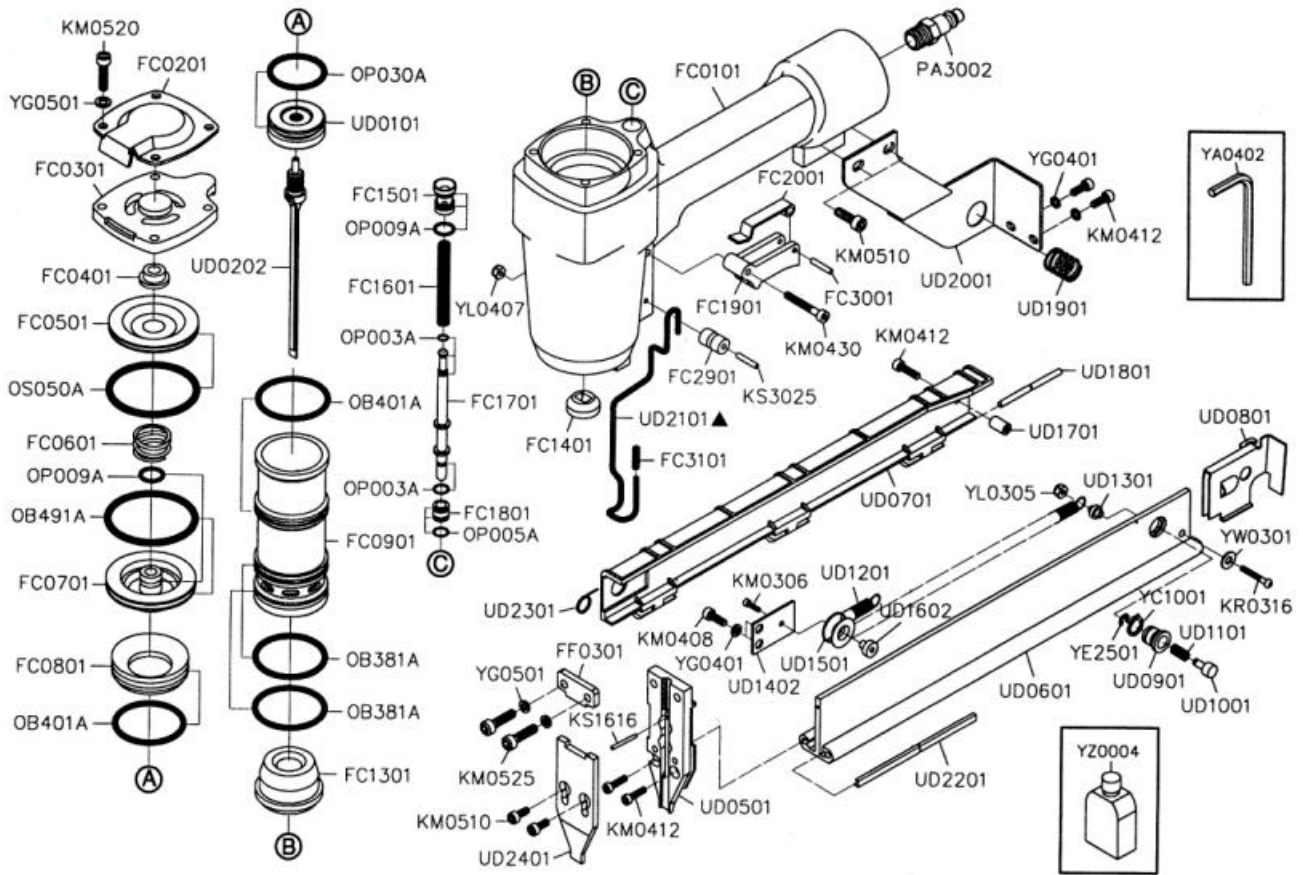


吉生 GISON

GP-90/40 Medium Duty Air Stapler



PARTS LIST

✳ : Consuming Part

Item No.	Part No.	Description	Qty.	Item No.	Part No.	Description	Qty.	Item No.	Part No.	Description	Qty.
1	FC0101	Body	1	25	KM0430	Hex.Soc.Hd.Bolt (M4 × 0.7-30L)	1	49	UD1101	Spring	1
2	FC0201	Exhaust Cap	1	26	KM0510	Hex.Soc.Hd.Bolt (M5 × 0.8-10L)	4	50	UD1201	Pusher Spring	1
3	FC0301	Cylinder Cap	1	27	KM0520	Hex.Soc.Hd.Bolt (M5 × 0.8-20L)	4	51	UD1301	Push Spring Anchor	1
4	FC0401	Valve Stop	1	28	KM0525	Hex.Soc.Hd.Bolt (M5 × 0.8-25L)	2	52	UD1402	Roller Set	1
5	FC0501	Head Valve Cap	1	29	KR0316	Button Hd.Bolt (M3 × 0.5-16L)	1	53	UD1501	Roller	1
6	FC0601	Compression Spring	1	30	KS1616	Spring Pin (∅1.6-16L)	1	54	UD1602	Roller Anchor	1
7	FC0701	Head Valve Seat	1	31	KS3025	Spring Pin (∅3-25L)	1	55	UD1701	Distance Shaft	1
8	FC0801	Cylinder Ring	1	32	OB381A	O-Ring (37.8 × 2.5)	2	56	UD1801	Pivot	1
9	FC0901	Cylinder	1	33	OB401A	O-Ring (39.8 × 2.5)	2	57	UD1901	Spring	1
10	FC1301	Bumper	1	34	OB491A	O-Ring (49.1 × 2.5)	1	58	UD2001	Support	1
11	FC1401	Nozzle	1	35	OP003A	O-Ring (P3)	3	59	UD2101	Safety	1
12	FC1501	Trigger Valve Cap	1	36	OP005A	O-Ring (P5)	2	60	UD2201	Upper Rail	1
13	FC1601	Spring	1	37	OP009A	O-Ring (P9)	2	61	UD2301	Spring	1
14	FC1701	Trigger Valve Stem	1	38	OP030A	O-Ring (P30)	1	62	UD2401	Cover Plate (B)	1
15	FC1801	Trigger Valve Seat	1	39	OS050A	O-Ring (S50)	1	63	YA0402	Hex.Bar Wrench (D4)	1
16	FC1901	Trigger	1	40	PA3002	Coupling Plug (1/4")	1	64	YC1001	C-Ring (∅10)	1
17	FC2001	Contact Lever	1	41	UD0101	Main Piston	1	65	YE2501	E-Ring (∅2.5)	1
18	FC2901	Roller	1	42	UD0202	Driver	1	66	YG0401	Spring Washer (∅4)	4
19	FC3001	Split Pin	1	43	UD0501	Guide Plate	1	67	YG0501	Spring Washer (∅5)	6
20	FC3101	Safety Spring	1	44	UD0601	Magazine Rail	1	68	YL0305	Hex.Soc.Nut Screw (M3 × 0.5)	1
21	FF0301	Cover Plate (A)	1	45	UD0701	Door	1	69	YL0407	Hex.Soc.Nut Screw (M4 × 0.7)	1
22	KM0306	Hex.Soc.Hd.Bolt (M3 × 0.5-6L)	1	46	UD0801	Pusher	1	70	YW0301	Flat Washer (∅3)	1
23	KM0408	Hex.Soc.Hd.Bolt (M4 × 0.7-8L)	2	47	UD0901	Latch Stud Bushing	1	71	YZ0004	Oil Box	1
24	KM0412	Hex.Soc.Hd.Bolt (M4 × 0.7-12L)	5	48	UD1001	Pusher Latch Stud	1				