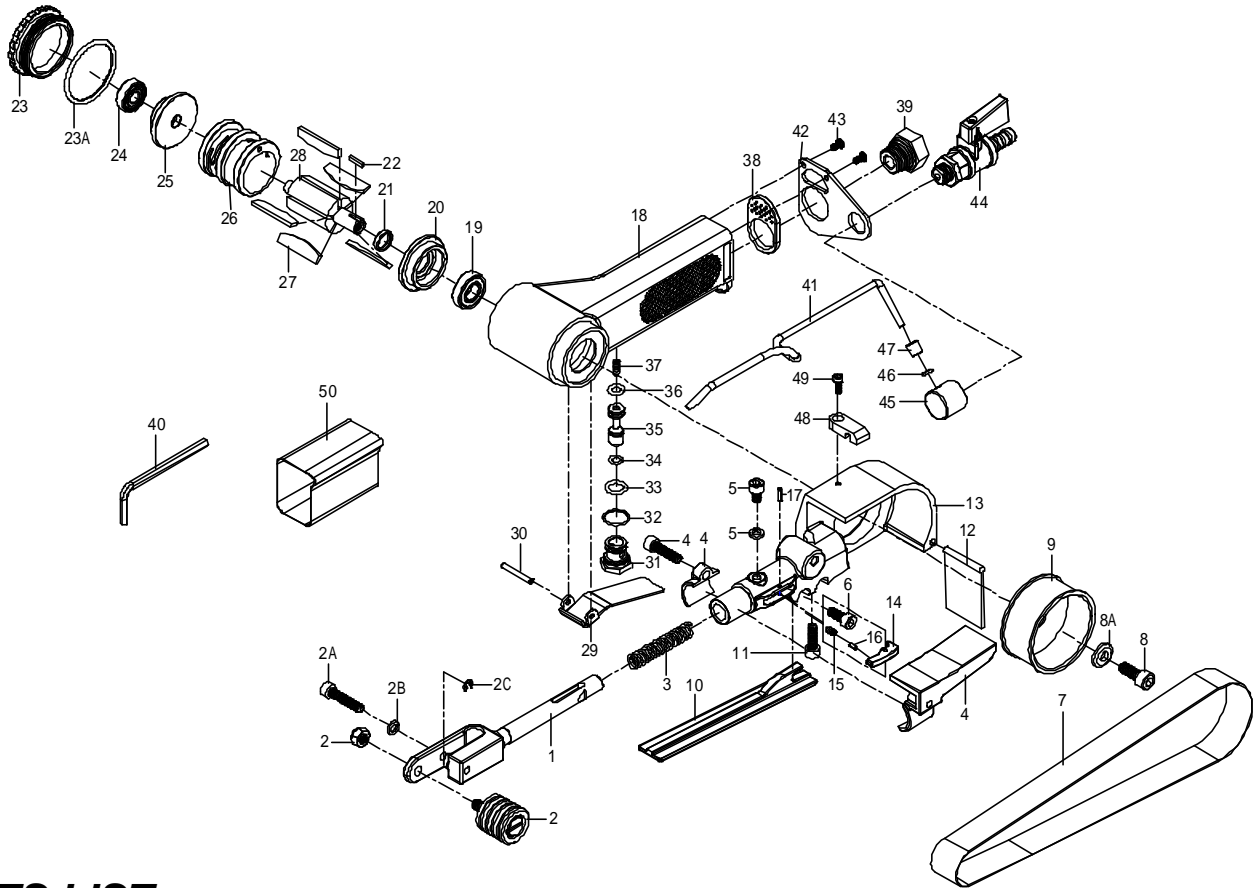


# 吉生 GISON

## GP-902AW Air Belt Sander



### PARTS LIST

✳ Consuming Part

Item No.	Part No.	Description	Qty.	Item No.	Part No.	Description	Qty.
01	902A01	Idle Pulley Bracket Sub Assy.	1 set	24	B626ZZ	Ball Bearing 626ZZ	1
02	902A02	Idle Pulley Assy.	1 set	25	902A25	End Plate A	1 set
2A	902A02A	Cap Screw 5x28	1	26	902A26	Cylinder	1
2B	902A02B	Washer	1	✳ 27	902A27	Blade Assy. (5 pcs/set)	1 set
2C	902A02C	C-Cliper	1	28	902A28	Rotor	1
03	902A03	Spring	1	29	902A29	Throttle Lever	1
04	902A04	Finger Pad Assy.	1 set	30	902A30	Lever Pin	1
05	902A05	Key Bolt Assy.	1 set	31	902A31	Valve Body	1 set
06	CAP005	Cap Screw 5x12	1	32	902A32	O-Ring	1
07	902A07	Grinding Belt	1	33	902A33	O-Ring	1
08	CAP018	Cap Screw 6x16	1	34	902A34	O-Ring S-7	1
8A	902A08A	Washer	1	35	902A35	Valve Stem	1
09	902A09	Drive Pulley	1	36	902A36	O-Ring	1
10	902A10	Plat Shoe	1	37	902A37	Valve Spring	1
11	902A11	Cap Screw 5x18	1	38	902A38	Deflector	1
12	902A12	Dust Cover	1	39	902A39	Air Inlet	1
13	902A13	Guard Body	1	40	902A40	Hexagon Wrench Key 4	1
14	902A14	Tension Bar	1 set	41	902A41W	Water Inlet Tube	1
15	902A15	Spring	1	42	902045W	Hexagon Wrench Key 1.5	1
16	902A16	Lever Pin	1	43	MC006	Hexagon Wrench Key 1/4" x3/8"	2
17	902A17	Lever Pin	1				
18	902A18W	Housing	1	44	829058CW	Water Valve	1
19	902A19	Ball Bearing EE3	1	45	911045W	Brass Cover	1
20	902A20	End Plate B	1	46	OR044	O-Ring	1
21	902A21	Spacer 10x13x3	1	47	5W013-2	Brass Cover	1
22	902A22	Sunk Key 2x2.5x10	1	48	902047W	Fixing Base	1
23	902A23	Cap	1	49	CAP026	Screw	1
23A	902A23A	O-Ring	1	50	902A42W	Rubber Glue	1