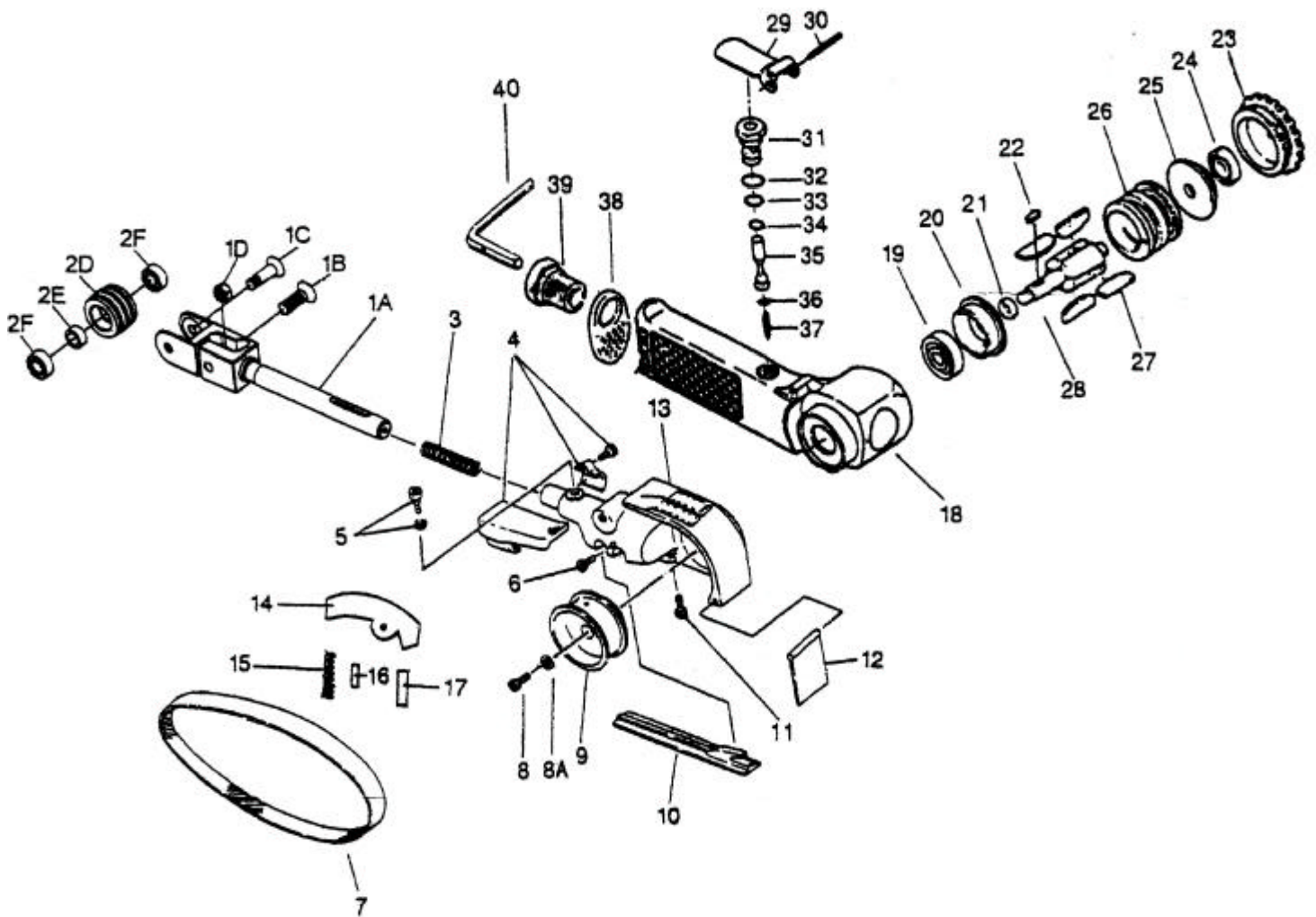




GISON Pneumatic Tools

GP-902A Air Belt Sander



PARTS LIST

✳ : Consuming Part

| Item No. | Part No. | Description | Qty. | Item No. | Part No. | Description | Qty. |
|----------|----------|-------------------------------|------|----------|----------|-----------------|------|
| 1 | 902A01A | Idle Pulley Bracket Sub Ass'y | 1 | 24 | 902A018 | Housing | 1 |
| 2 | 902A01B | Set Screw | 1 | 25 | 902A019 | Ball Bearing | 1 |
| 3 | 902A01C | Screw | 1 | 26 | 902A020 | End Plate B | 1 |
| 4 | 902A01D | Net | 1 | 27 | 902A021 | Spacer | 1 |
| 5 | 902A02D | Idler Pulley | 1 | 28 | 902A022 | Sunk Key | 1 |
| 6 | 902A02E | Washer | 1 | 29 | 902A023 | Cap | 1 |
| 7 | 902A02F | Ball Bearing 686ZZ | 2 | 30 | 902A024 | Ball Bearing | 1 |
| 8 | 902A003 | Spring | 1 | 31 | 902A025 | End Plate A | 1 |
| 9 | 902A004 | Finger Pad Assy | 1 | 32 | 902A026 | Cylinder | 1 |
| 10 | 902A005 | Key Bolt Assy | 1 | 33 | 902A027 | Blade (5pc/set) | 5 |
| 11 | 902A006 | Hexagon Sooket Head Bolt | 1 | 34 | 902A028 | Rotor | 1 |
| 12 | 902A007 | Grinding Belt | 1 | 35 | 902A029 | Throttle Lever | 1 |
| 13 | 902A008 | Hexagon Socket Head Bolt | 1 | 36 | 902A030 | Lever Pin | 1 |
| 14 | 902A08A | Washer | 1 | 37 | 902A031 | Valve Body | 1 |
| 15 | 902A009 | Drive Pulley | 1 | 38 | 902A032 | O-Ring | 1 |
| 16 | 902A010 | Flat Shoe | 1 | 39 | 902A033 | O-Ring | 1 |
| 17 | 902A011 | Hexagon Socket Head Bolt | 1 | 40 | 902A034 | O-Ring | 1 |
| 18 | 902A012 | Dust Cover | 1 | 41 | 902A035 | Valve Stem | 1 |
| 19 | 902A013 | Guard Body | 1 | 42 | 902A036 | O-Ring | 1 |
| 20 | 902A014 | Tension Bar | 1 | 43 | 902A037 | Valve Spring | 1 |
| 21 | 902A015 | Spring | 1 | 44 | 902A038 | Deflector | 1 |
| 22 | 902A016 | Lever Pin | 1 | 45 | 902A039 | Air Inlet | 1 |
| 23 | 902A017 | Lever Pin | 1 | 46 | 902A040 | Hex. Wrench 4mm | 1 |