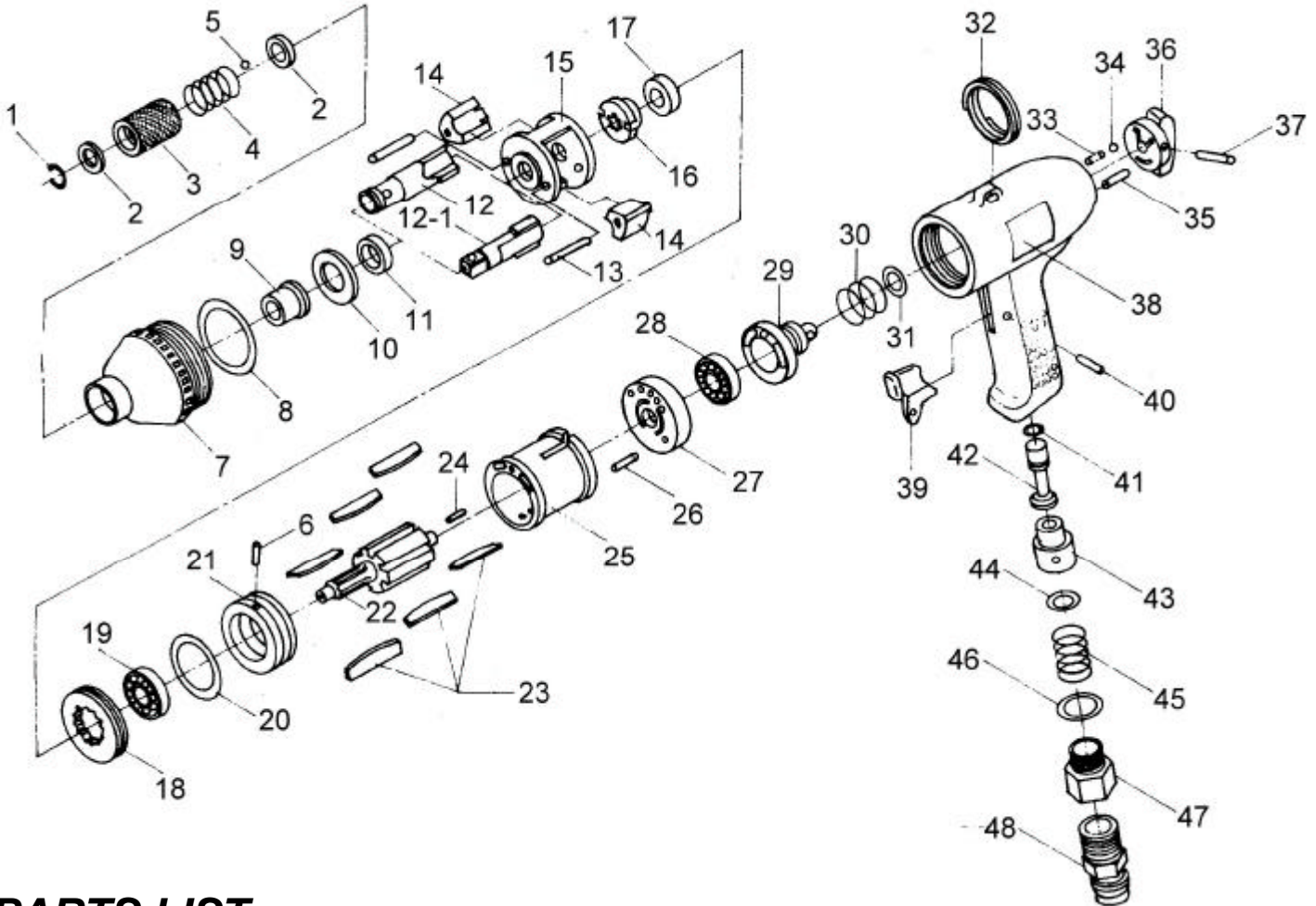


# GISON Pneumatic Tools

## GP-868W Heavy Duty Impact Wrench



✦ :Consuming Part

### PARTS LIST

Item No.	Part No.	Description	Qty.	Item No.	Part No.	Description	Qty.
01	868W01	Retaining Ring	1	24	868W24	Cylinder Pin	1
02	868W02	Retaining Washer	3	25	868W25	Cylinder	1
03	868W03	Ball Retaining	1	26	868W26	Cylinder Pin	1
04	868W04	Ball Retaining Spring	1	27	868W27	Rear End Plate	1
05	868W05	Steel Ball (1/8")	1	28	868W28	Ball Bearing (7/8) R6	6
06	868W06	Frong Plate Pin	1	29	868W29	Reverse Bushing	1
07	868W07	Hammer Case	1	30	868W30	Spring	1
08	868W08	O-Ring	1	31	868W31	O-Ring	1
09	868W09	Anvil Bushing	1	32	868W32	Hanger	1
10	868W10	Anvil Washer	1	33	868W33	Spring	1
11	868W60	Collar	1	34	868W34	Steel Ball	1
12	868W12	Anvil	1	35	868W35	Pin	1
12-1	868W12-1	Anvil (Sq)	1	36	868W36	Reverse Valve	1
13	868W13	Hammer Pin	2	37	868W37	Reverse Pin	1
14	868W14	Hammer Dog	2	38	868W38	Motor Housing	1
15	868W15	Hammer Seat	1	39	868W39	Switch Lever	1
16	868W16	Cam	1	40	868W40	Switch Pin	1
17	868W17	Spacer	1	41	868W41	Valve O-Ring	1
18	868W18	Lock Nut	1	42	868W42	Valve Stem	1
19	868W19	Ball Bearing (7/8) R6	1	43	868W43	Bushing	1
20	868W20	O-Ring	1	44	868W44	Washer	1
21	868W21	Front Plate	1	45	868W45	Spring	1
22	868W22	Roter	1	46	868W46	O-Ring	1
23	868W23	Roter Blade	6	47	868W47	Air Inlet	1