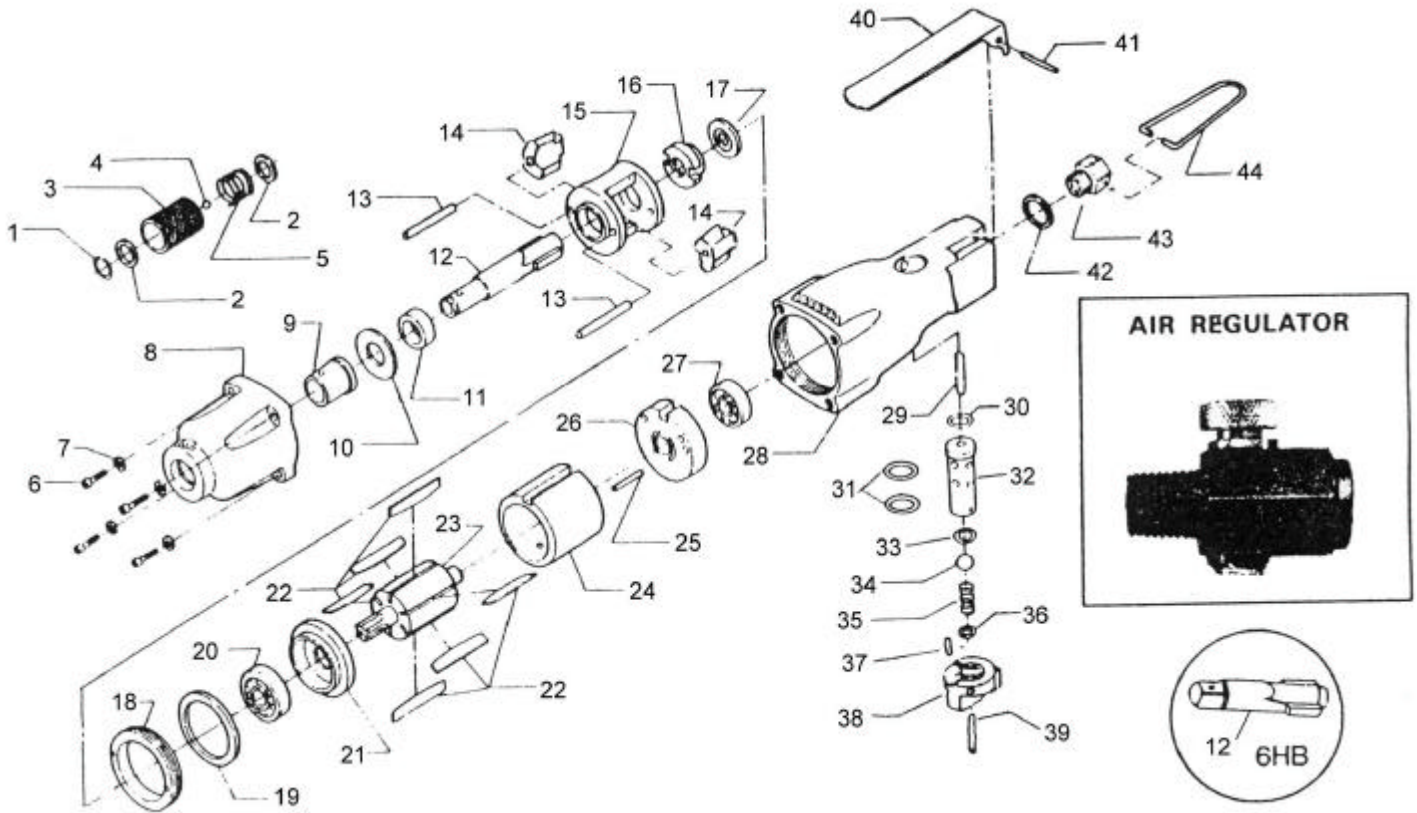




# GISON Pneumatic Tools

## GP-867/867W Air Screw Driver / 3/8" Air Impact Wrench



### PARTS LIST

✳ : Consuming Part

Item No.	Part No.	Description	Qty.	Item No.	Part No.	Description	Qty.
1	867001	Retaining Ring	1	24	867024	Cylinder	1
2	867002	Washer	2	25	867025	Pin	1
3	867003	Ball Retaining	1	26	867026	Rear Plate	1
4	867004	Ball	1	27	867027	Ball Bearing	1
5	867005	Spring	1	28	867028	Housing	1
6	867006	Screw	4	29	867029	Pin	1
7	867007	Spring Washer	4	30	867030	O-Ring	1
8	867008	Hammer Casing	1	31	867031	O-Ring	1
9	867009	Bushing	1	32	867032	Bush	1
10	867010	Thrust Washer	1	33	867033	O-Ring	1
11	867011	Plange Bushing	1	34	867034	Nylon Ball	1
✳ 12	867012	Anvil	1	35	867035	Spring	1
13	867013	Hammer Pin	2	36	867036	O-Ring	1
✳ 14	867014	Hammer	2	37	867037	Pin	1
15	867015	Hammer Cage	1	38	867038	Reverse Valve	1
✳ 16	867016	Cam	1	39	867039	Pin	1
17	867017	Washer	1	40	867040	Switch Lever	1
18	867018	Lock Ring	1	41	867041	Pin	1
19	867019	O-Ring	1	42	867042	Washer	1
20	867020	Ball Bearing	1	43	867043	Air Inlet	1
21	867021	Front Plate	1	44	867044	Hander	1
✳ 22	867022	Rotor Blade	6	45	867045	Bit Star Type	1
23	867023	Rotor	1	46	867029-39	Housing Set	1