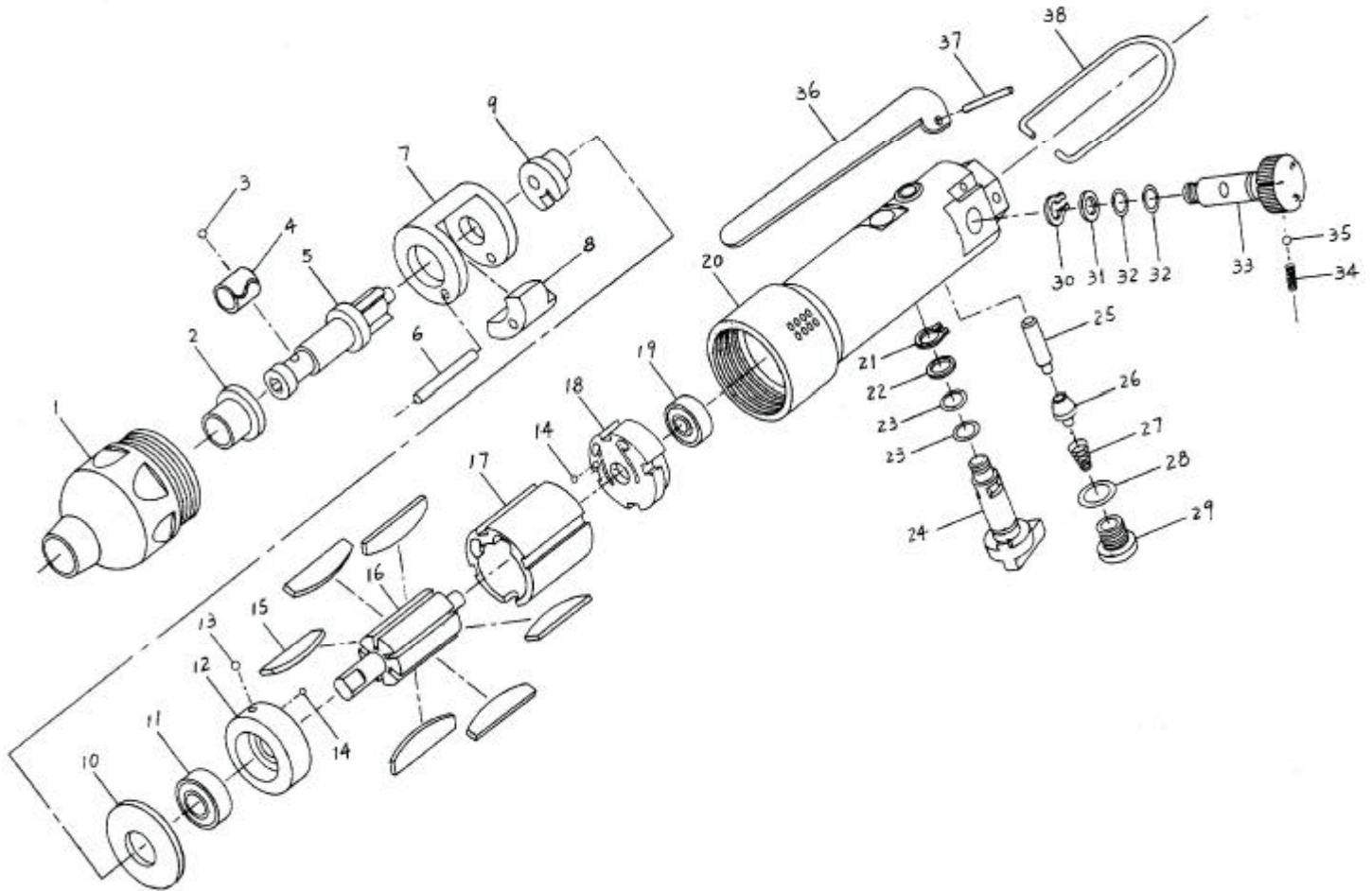


GISON Pneumatic Tools

GP-866C 4~5 mm Air Screw Driver



PARTS LIST

✿ : Consuming Part

Item No.	Part No.	Description	Qty.	Item No.	Part No.	Description	Qty.
1	866C01	Front Housing	1	20	866C20	Housing	1
2	866C02	Bushing	1	21	866C21	Retaining Ring	1
3	866C03	Steel Ball	1	22	866C22	Washer	1
4	866C04	Steel Ball Collar	1	23	866C23	O-Ring	1
5	866C05	Anvil	1	24	866C24	Reverse Valve	1
6	866C06	Pin	1	25	866C25	Valve Stem	1
7	866C07	Hammer Seat	1	26	866C26	Valve Stem Bushing	1
8	866C08	Hammer Dog	1	27	866C27	Spring	1
9	866C09	Cam	1	28	866C28	O-Ring	1
10	866C10	Washer	1	29	866C29	Screw	1
11	866C11	Ball Bearing	1	30	866C30	Retaining Ring	1
12	866C12	Front Plate	1	31	866C31	Washer	1
13	866C13	Steel Ball	1	32	866C32	O-Ring	1
14	866C14	Steel Ball	2	33	866C33	Air Regulator	1
✿ 15	866C15	Rotor Blade	6	34	866C34	Spring	1
16	866C16	Rotor	1	35	866C35	Steel Ball	1
17	866C17	Cylinder	1	36	866C36	Switch Lever	1
18	866C18	Rear End Plate	1	37	866C37	Pin	1
19	866C19	Ball Bearing	1	38	866C38	Hook	1