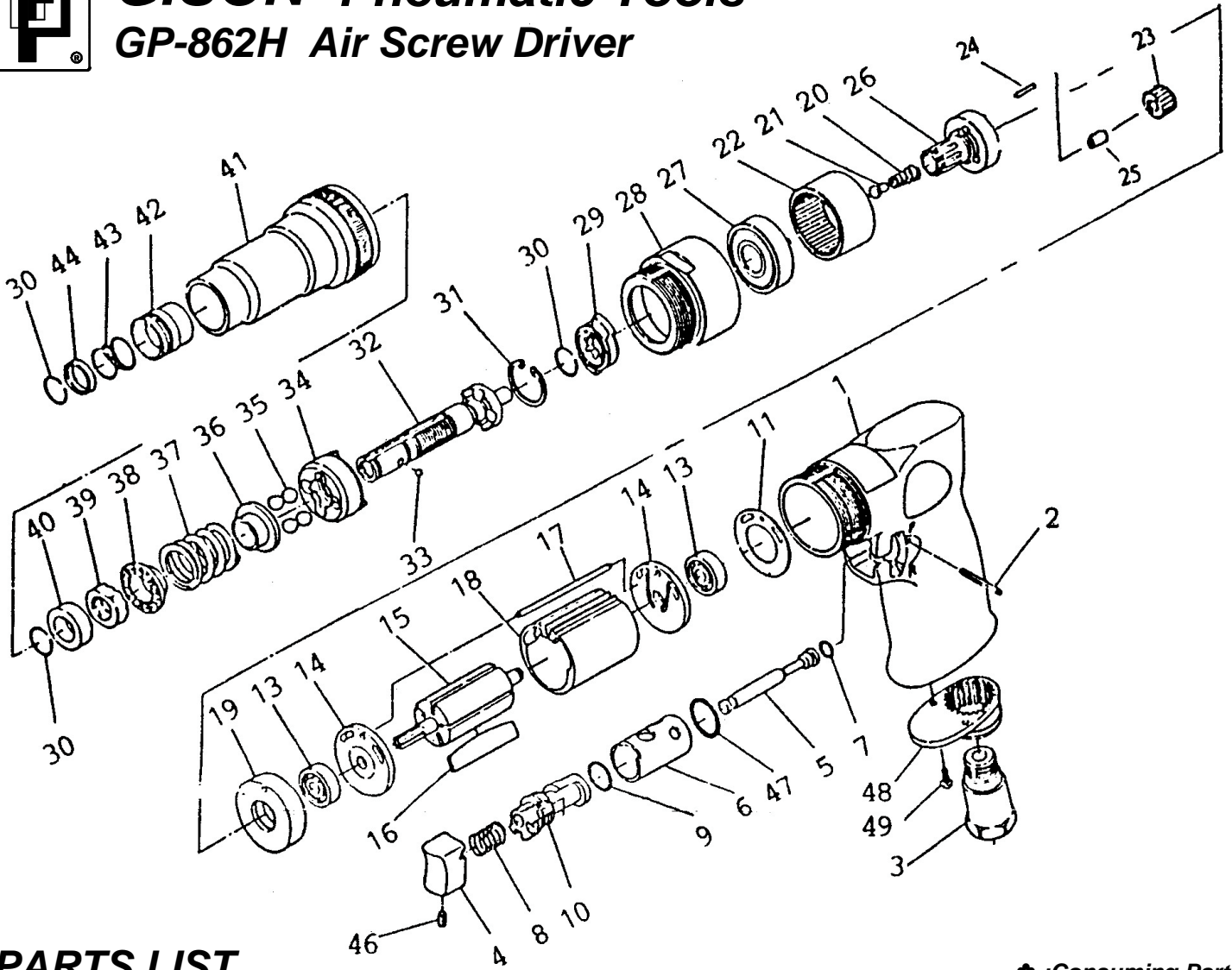




GISON Pneumatic Tools

GP-862H Air Screw Driver



PARTS LIST

✳ : Consuming Part

| Item No. | Part No. | Description | Qty. | Item No. | Part No. | Description | Qty. |
|----------|----------|-----------------|------|----------|----------|------------------|------|
| 1 | 862H01 | Housing | 1 | 26 | 862H26 | Work Spindle | 1 |
| 2 | 862H02 | Pin | 1 | 27 | 862H27 | Ball Bearing | 1 |
| 3 | 862H03 | Air Inlet | 1 | 28 | 862H28 | Clamp Nut | 1 |
| 4 | 862H04 | Trigger | 1 | 29 | 862H29 | Drive Dog | 1 |
| 5 | 862H05 | Valve Stem | 1 | 30 | 862H30 | Retaining Ring | 3 |
| 6 | 862H06 | Reverse Bushing | 1 | 31 | 862H31 | Retaining Ring | 1 |
| ✳ 7 | 862H07 | O-Ring | 1 | 32 | 862H32 | Cam Spindle | 1 |
| 8 | 862H08 | Valve Spring | 1 | 33 | 862H33 | Steel Ball | 1 |
| ✳ 9 | 862H09 | O-Ring | 1 | 34 | 862H34 | Clutch Carrier | 1 |
| 10 | 862H10 | Reverse Lever | 1 | 35 | 862H35 | Steel Ball | 4 |
| 11 | 862H11 | Motor Gasket | 1 | 36 | 862H36 | Washer | 1 |
| 13 | 862H13 | Ball Bearing | 2 | 37 | 862H37 | Spring | 1 |
| 14 | 862H14 | End Plate | 2 | 38 | 862H38 | Washer | 1 |
| 15 | 862H15 | Rotor | 1 | 39 | 862H39 | Adjust Nut | 1 |
| ✳ 16 | 862H16 | Rotor Blade | 5 | 40 | 862H40 | Spacer | 1 |
| 17 | 862H17 | Pin | 1 | 41 | 862H41 | Clutch Housing | 1 |
| 18 | 862H18 | Cylinder | 1 | 42 | 862H42 | Ball Retainer | 1 |
| 19 | 862H19 | Spacer | 1 | 43 | 862H43 | Spring | 1 |
| 20 | 862H20 | Spring | 1 | 44 | 862H44 | Washer | 1 |
| 21 | 862H21 | Spring Guide | 1 | ✳ 46 | 862H46 | Set Screw | 1 |
| 22 | 862H22 | Internal Gear | 1 | ✳ 47 | 862H47 | O-Ring | 1 |
| 23 | 862H23 | Planet Gear | 3 | 48 | 862H48 | Exhaust Diffuser | 1 |
| 24 | 862H24 | Pin | 3 | 49 | 862H49 | Screw | 2 |
| 25 | 862H25 | Bushing | 3 | | | | |