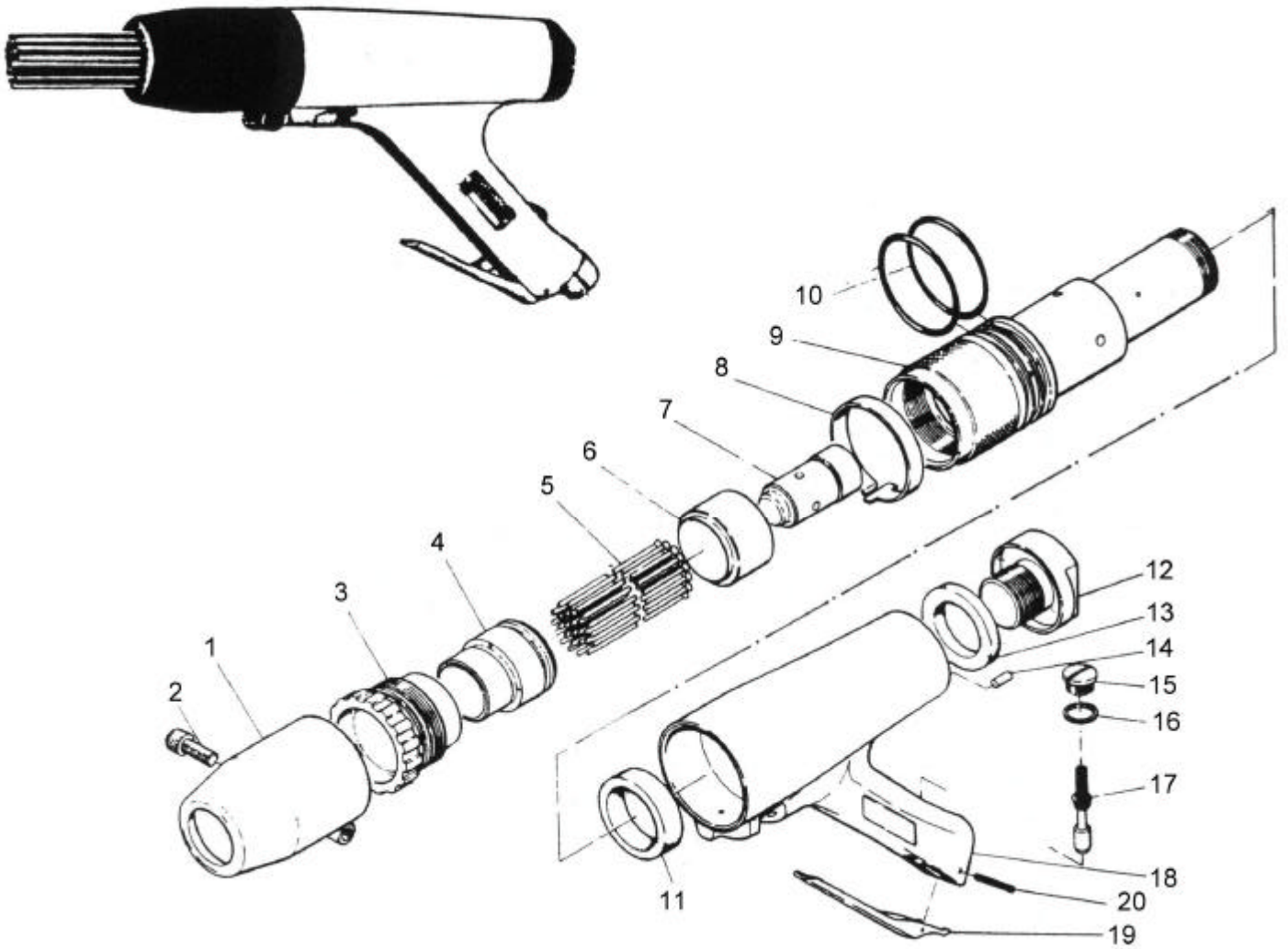




GISON Pneumatic Tools

GP-851P Air Needle Scalers



PARTS LIST

★ :Consuming Part

Item No.	Part No.	Description	Qty.	Item No.	Part No.	Description	Qty.
1	851P01	Round Needle Guide Ass' y	1	13	851P13	Rear Washer	1
2	851P02	Hexagon Socket Head Bolt 8x25	1	14	851P14	Cylinder Lock Pin	1
3	851P03	Stop Ring	1	15	851P15	Valve Cap	1
4	851P04	Needle Supporter Ø3	1	16	851P16	Valve Packing	1
5	851P05	Needle Ø3x180 mm	28	17	851P17	Throttle Valve Ass' y	1
6	851P06	Throttle Anvil	1	18	851P18	Housing Sub Ass' y	1
7	851P07	Piston	1	19	851P19	Throttle Lever	1
8	851P08	Safety Band	1	20	851P20	Spring Pin 3x28	1
9	851P09	Cylinder	1		851P21	Hex. Wrench Key	1
10	851P10	O-Ring W4	2		851P22	Needle Ø4x180 mm	14
11	851P11	Front Washer	1		851P23	Reducer M16xNPT3/8	1
12	851P12	Bear Bolt Ass' y	1		851P24	Needle Supporter Ø4	1
					851P25	Hose Nipple NPT 3/8x3/8	1