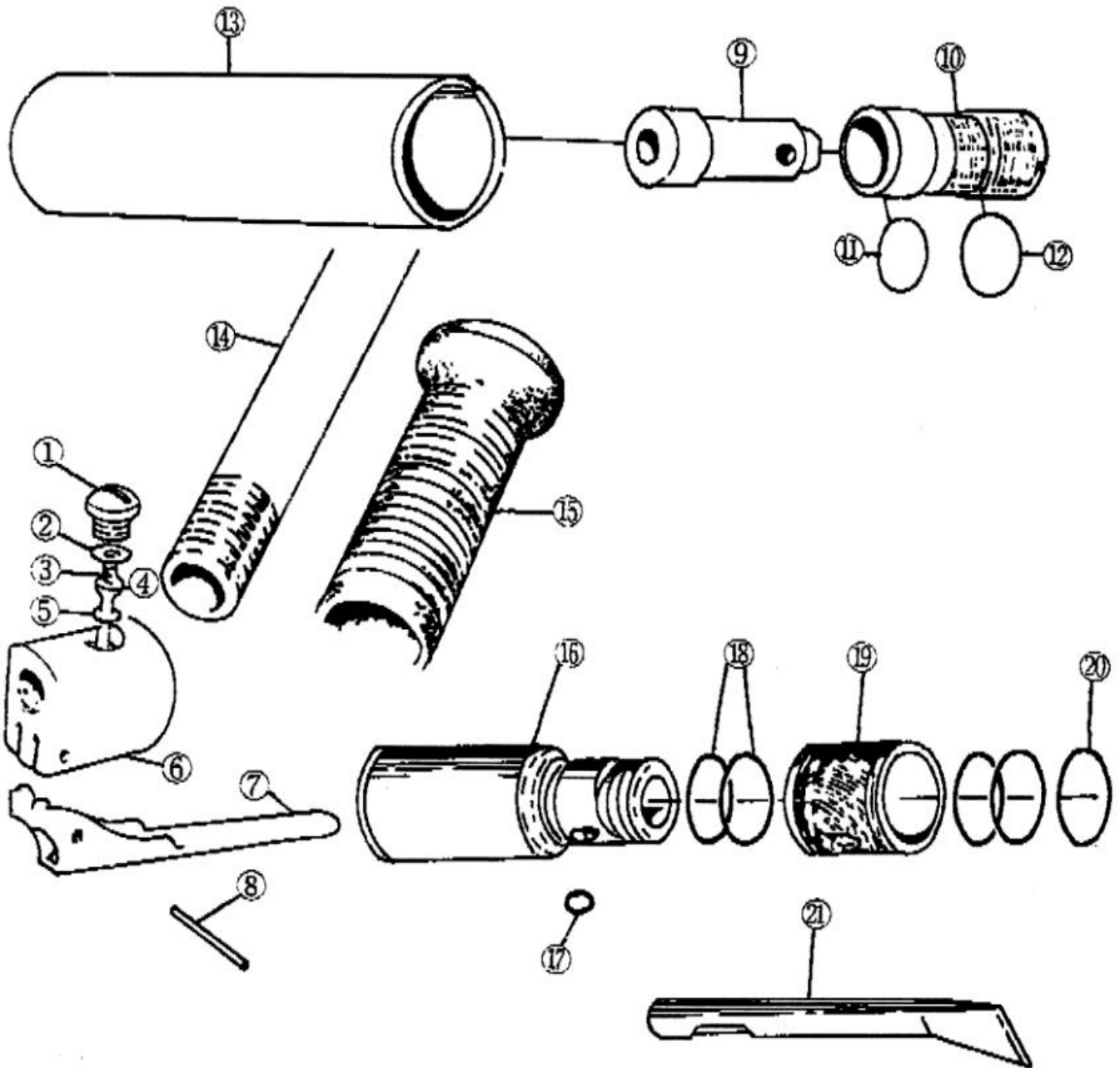


吉生 **GISON**

GP-851BF Flux Chipper



PARTS LIST

✳ :Consuming Part

Item No.	Part No.	Description	Qty.	Item No.	Part No.	Description	Qty.
1	851BF01	Valve Cap	1	12	851BF12	'O'Ring	1
2	851BF02	'O'Ring-Valve Cap	1	13	851BF13	Spvengring	1
3	851BF03	Valve Spring	1	14	851BF14	Centre Tube	1
4	851BF04	Valve Stem	1	15	851BF15	Rubber Handle Grip	1
5	851BF05	'O'Ring-Valve Seat	1	16	851BF16	Cylinder Body	1
6	851BF06	Valve Body	1	17	851BF17	Ball(7/16)	1
7	851BF07	Throttle Lever	1	18	851BF18	'O'Ring(P24)	4
8	851BF08	Roll Pin	1	19	851BF19	Chisel Cover	1
9	851BF09	Piston	1	20	851BF20	Snap Ring	1
10	851BF10	Cylinder	1	21	851BF21	Chisel	1
11	851BF11	'O'Ring	1				