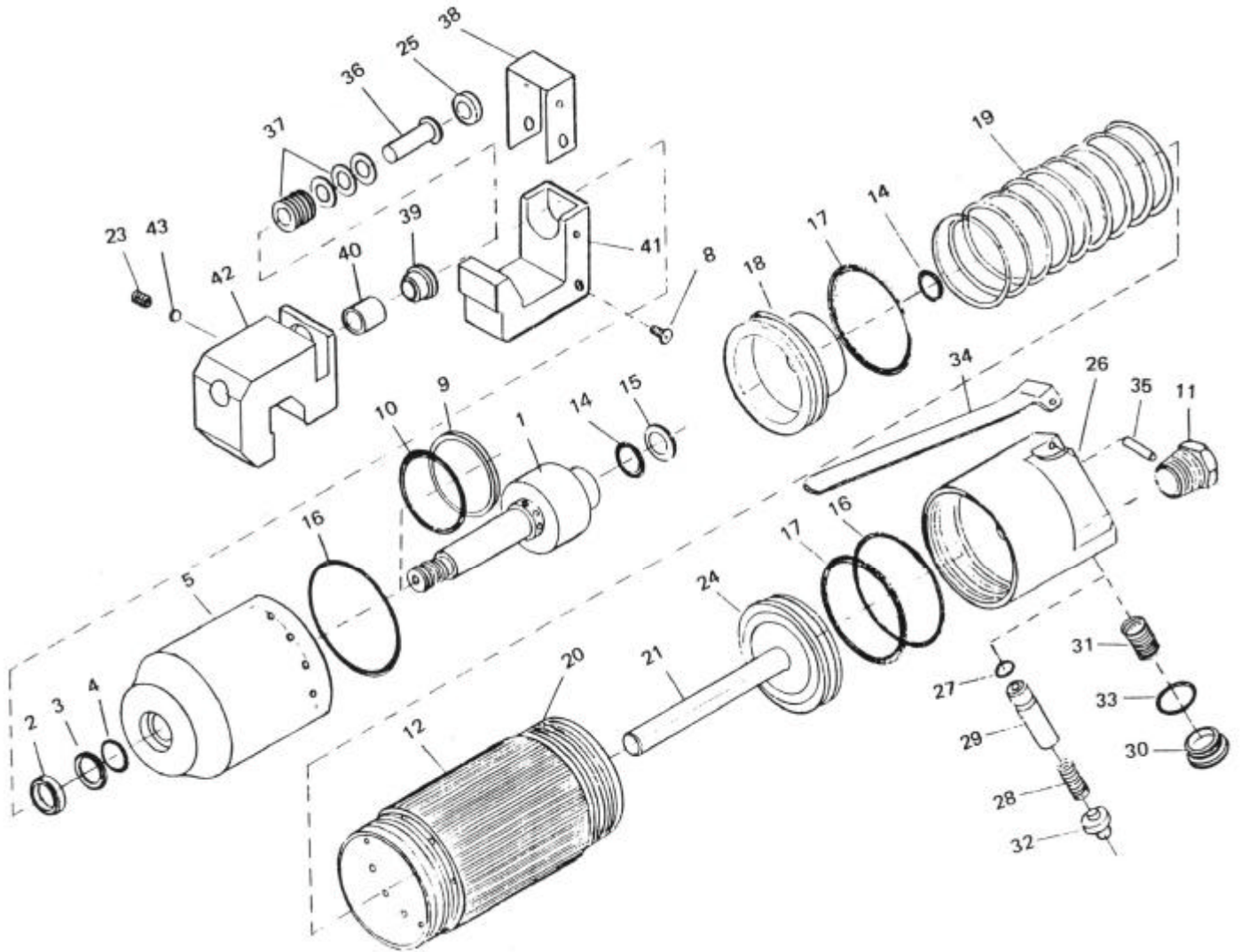


吉生 **GISON**

GP-842 Punch / Flange Tool



PARTS LIST

✳ :Consuming Part

| Item No. | Part No. | Description | Qty. | Item No. | Part No. | Description | Qty. |
|----------|----------|--------------------|------|----------|----------|---------------|------|
| 1 | 842001 | Hydraulic Piston | 1 | 25 | 842025 | Washer | 1 |
| 2 | 842002 | Sealing | 1 | 26 | 842026 | Valve Body | 1 |
| 3 | 842003 | Support Ring | 1 | 27 | 842027 | O-Ring | 1 |
| 4 | 842004 | O-Ring | 1 | 28 | 842028 | Spring | 1 |
| 5 | 842005 | Hydraulic Cylinder | 1 | 29 | 842029 | Push Rod | 1 |
| 8 | 842008 | Screw | 2 | 30 | 842030 | Screw | 1 |
| 9 | 842009 | Support Ring | 1 | 31 | 842031 | Spring | 1 |
| ✳ 10 | 842010 | O-Ring | 1 | 32 | 842032 | Valve | 1 |
| 11 | 842011 | Air Inlet | 1 | 33 | 842033 | O-Ring | 1 |
| 12 | 842012 | Plastic Wrap | 1 | 34 | 842034 | Lever | 1 |
| 14 | 842014 | O-Ring | 2 | 35 | 842035 | Spring Pin | 1 |
| 15 | 842015 | Support Ring | 1 | ✳ 36 | 842036 | Punch | 1 |
| 16 | 842016 | O-Ring | 2 | ✳ 37 | 842037 | Cup Spring | 12 |
| 17 | 842017 | O-Ring | 2 | 38 | 842038 | Cover Plate | 1 |
| 18 | 842018 | Piston | 1 | 39 | 842039 | Guide Bushing | 1 |
| 19 | 842019 | Spring | 1 | ✳ 40 | 842040 | Punch Die | 1 |
| 20 | 842020 | Air Cylinder | 1 | 41 | 842041 | Anvil | 1 |
| 21 | 842021 | High Press Piston | 1 | 42 | 842042 | Clamp | 1 |
| 23 | 842023 | Locking Screw | 1 | 43 | 842043 | Plug | 1 |
| 24 | 842024 | Air Piston | 1 | | | | |