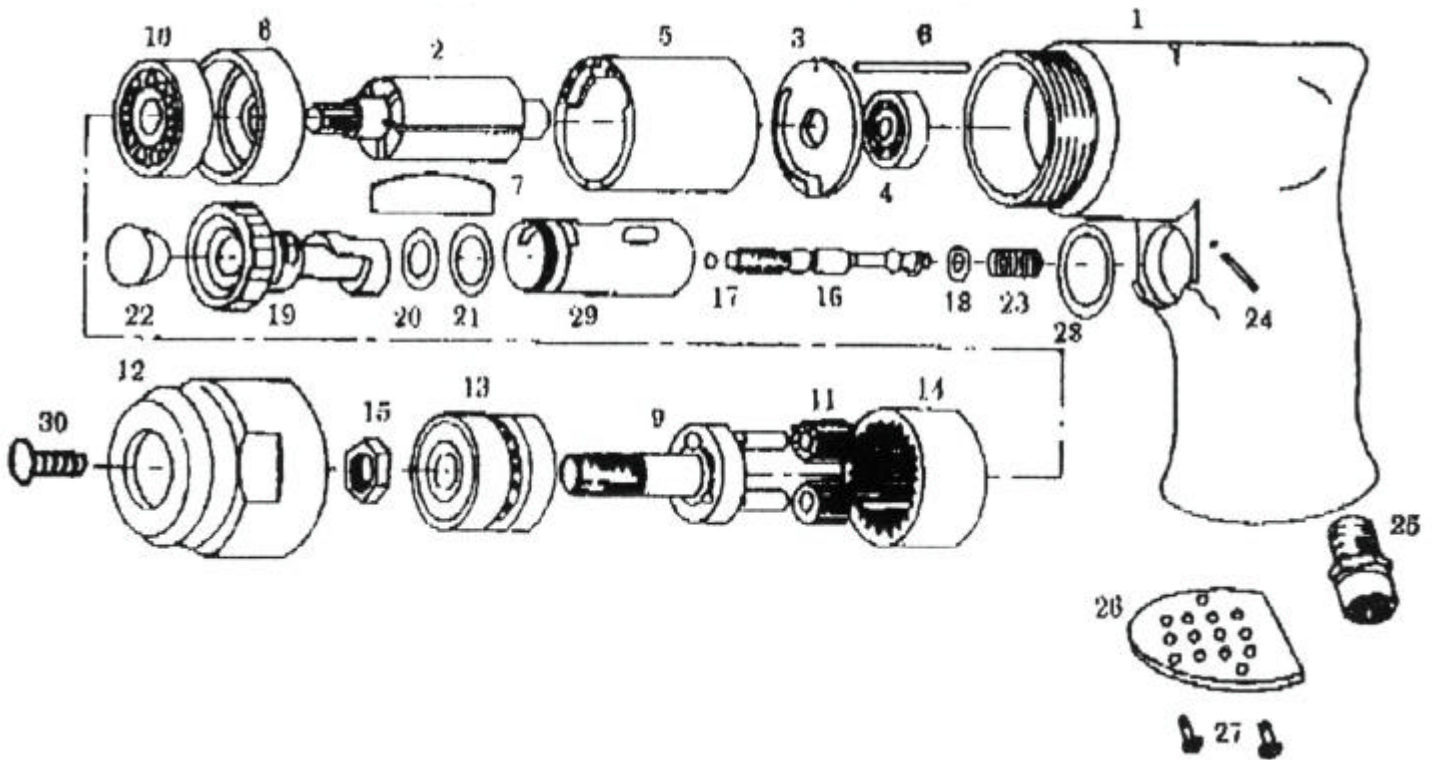




吉生 GISON

GP-840T 3/8" Reversible Air Drill



PARTS LIST

✳ : Consuming Part

No.	Part No.	Description	Qty.	No.	Part No.	Description	Qty.
1	840T01	Motor Housing	1	16	840T16	Throttle Valve	1
2	840T02	Rotor	1	17	840T17	O-Ring	1
3	840T03	Rear Flate	1	18	840T18	O-Ring	1
4	840T04	Ball Bearing	1	19	840T19	Throttle Bushing	1
5	840T05	Cylinder	1	20	840T20	O-Ring	1
6	840T06	Pin	1	21	840T21	O-Ring	1
7	840T07	Rotor Blade	5	22	840T22	Button-Trigger	1
8	840T08	Front Plate	1	23	840T23	Spring	1
9	840T09	Planet Cage + Pin Ass'y	1	24	840T24	Pin	1
10	840T10	Ball Bearing	1	25	840T25	Air Inlet Bushing	1
11	840T11	Planet Gear	2	26	840T26	Diffuser - Exhaust	1
12	840T12	Nose Housing	1	27	840T27	Screw	2
13	840T13	Ball Bearing	2	28	840T28	O-Ring	1
14	840T14	Internal Gear	1	29	840T29	Rotary Bushing	1
15	840T15	Lock Nut	1	30	840T30	Screw	1