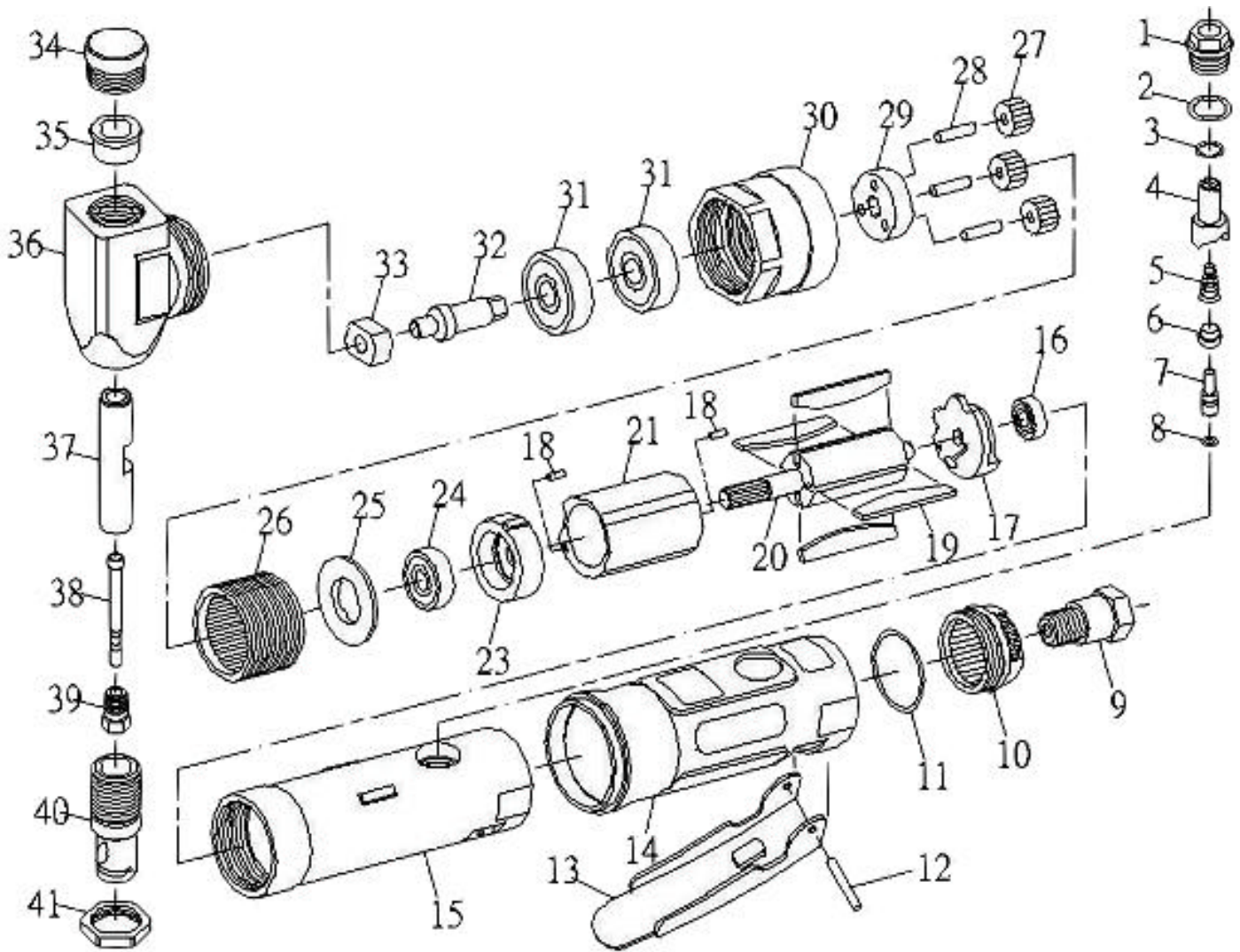




# GISON Pneumatic Tools

## GP-838STN Air Nibbler



### PARTS LIST

✳ : Consuming Part

No.	Part No.	Description	Qty.	No.	Part No.	Description	Qty.
1	838STN01	Screw	1	21	838STN21	Cylinder	1
2	838STN02	O-Ring (P12)	1	23	838STN23	Front Plate	1
3	838STN03	O-Ring (P8)	2	24	838STN24	Bearing (608ZZ)	1
4	838STN04	Air Regulator	1	25	838STN25	Washer	1
5	838STN04	Spring	1	26	838STN26	Thread Ring Gear (42T)	1
6	838STN06	Valve Stem Bushing	1	27	838STN27	Idler Gear (18T)	3
7	838STN07	Valve Stem	1	28	838STN28	Idler Gear Pin	3
8	838STN08	O-Ring (3.5 * 1.4)	1	29	838STN29	Gear Plate	1
9	838STN09	Air Inlet	1	30	838STN30	Clamp Nut	1
10	838STN10	Exhaust Sleeve	1	31	838STN31	Bearing (6200ZZ)	2
11	838STN11	O-Ring (26.7 * 1.78)	1	32	838STN32	Crank Shaft	1
12	838STN12	Spring Pin	1	33	838STN33	Cam	1
13	838STN13	Lever	1	34	838STN34	Head Cap	1
14	838STN14	Rubber	1	35	838STN35	Bushing	1
15	838STN15	Housing	1	36	838STN36	Head	1
16	838STN16	Bearing (696ZZ)	1	37	838STN37	Slide Spindle	1
17	838STN17	Rear Plate	1	38	838STN38	Punch	1
18	838STN18	Pin	2	39	838STN39	Screw	1
19	838STN19	Rotor Blade	4	40	838STN40	Die	1
20	838STN20	Rotor (6T)	1	41	838STN41	Nut	1