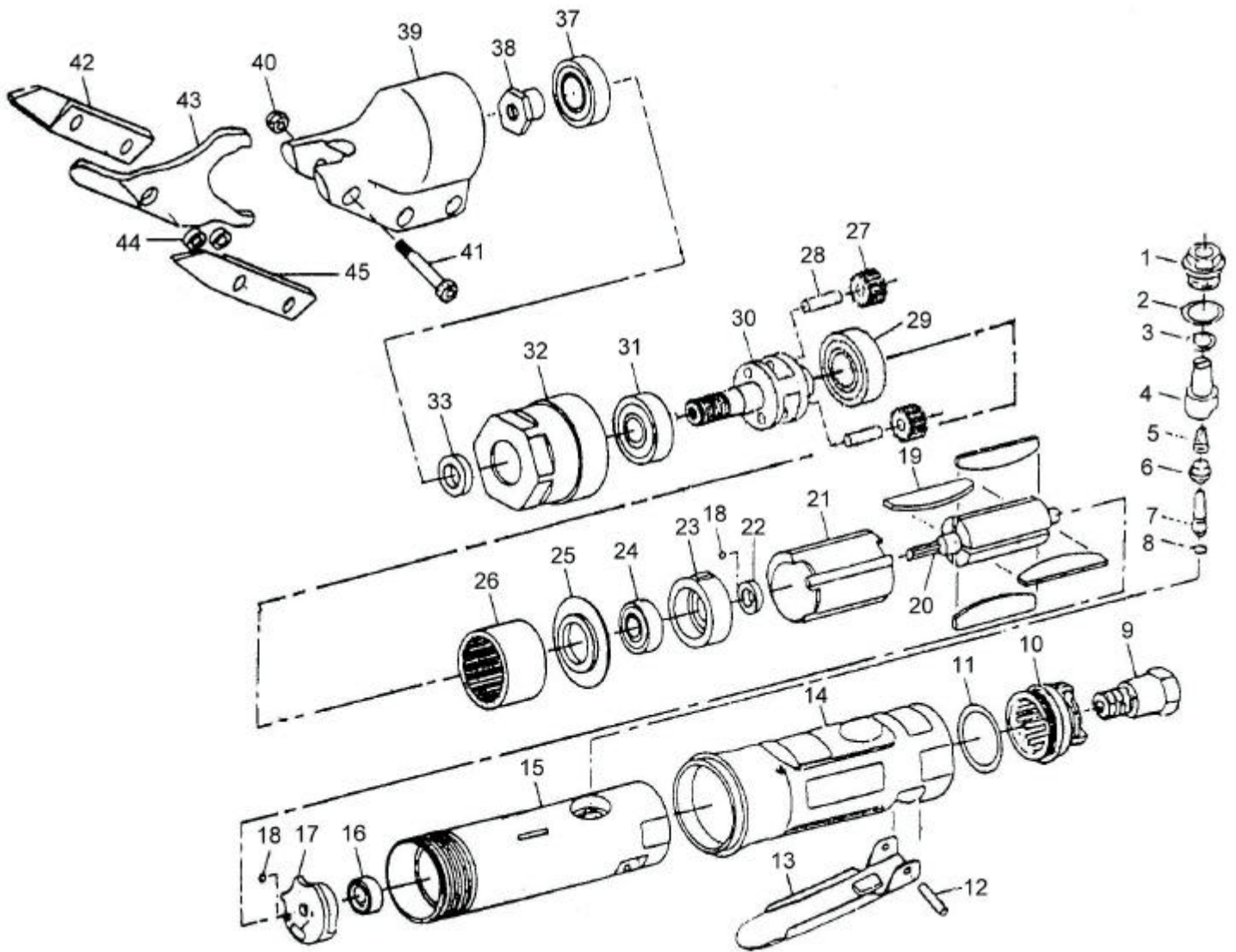


吉生 GISON

GP-838ST Air Metal Shear



PARTS LIST

✳ : Consuming Part

| No. | Part No. | Description | Qty. | No. | Part No. | Description | Qty. |
|-----|----------|--------------------|------|-----|----------|------------------|------|
| 1 | 838ST01 | Screw | 1 | 22 | 838ST22 | Bearing Spacer | 1 |
| 2 | 838ST02 | O-Ring | 1 | 23 | 838ST23 | Front Plate | 1 |
| 3 | 838ST03 | O-Ring | 1 | 24 | 838ST24 | Ball Bearing | 1 |
| 4 | 838ST04 | Air Regulator | 1 | 25 | 838ST25 | Washer | 1 |
| 5 | 935SG6 | Spring | 1 | 26 | 838ST26 | Thrad Ring Gear | 1 |
| 6 | 838ST06 | Valve Stem Bushing | 1 | 27 | 838ST27 | Idler Gear | 2 |
| 7 | 838ST07 | Valve Stem | 1 | 28 | 838ST28 | Idler Gear Pin | 2 |
| 8 | 838ST08 | O-Ring | 1 | 29 | 838ST29 | Ball Bearing | 1 |
| 9 | 838ST09 | Air Inlet | 1 | 30 | 838ST30 | Idler Gear Plate | 1 |
| 10 | 838ST10 | Exhaust Sleeve | 1 | 31 | 838ST31 | Ball Bearing | 1 |
| 11 | 838ST11 | O-Ring | 1 | 32 | 838ST32 | Clamp Nut | 1 |
| 12 | 838ST12 | Pin | 1 | 33 | 838ST33 | Washer | 1 |
| 13 | 838ST13 | Lever | 1 | 37 | 838ST37 | Ball Bearing | 1 |
| 14 | 838ST14 | Protecting Rubber | 1 | 38 | 838ST38 | Excentric Nut | 1 |
| 15 | 838ST15 | Housing | 1 | 39 | 838ST39 | Cutter Housing | 1 |
| 16 | 838ST16 | Ball Bearing | 1 | 40 | 838ST40 | Nut | 3 |
| 17 | 838ST17 | Rear Plate | 1 | 41 | 838ST41 | Lock Screw | 3 |
| 18 | 838ST18 | Steel Ball | 2 | 42 | 838ST42 | Left Blade | 1 |
| 19 | 838ST19 | Rotor Blade | 4 | 43 | 838ST43 | Center Blade | 1 |
| 20 | 838ST20 | Rotor | 1 | 44 | 838ST44 | Spacer | 2 |
| 21 | 838ST21 | Cylinder | 1 | 45 | 838ST45 | Right Blade | 1 |