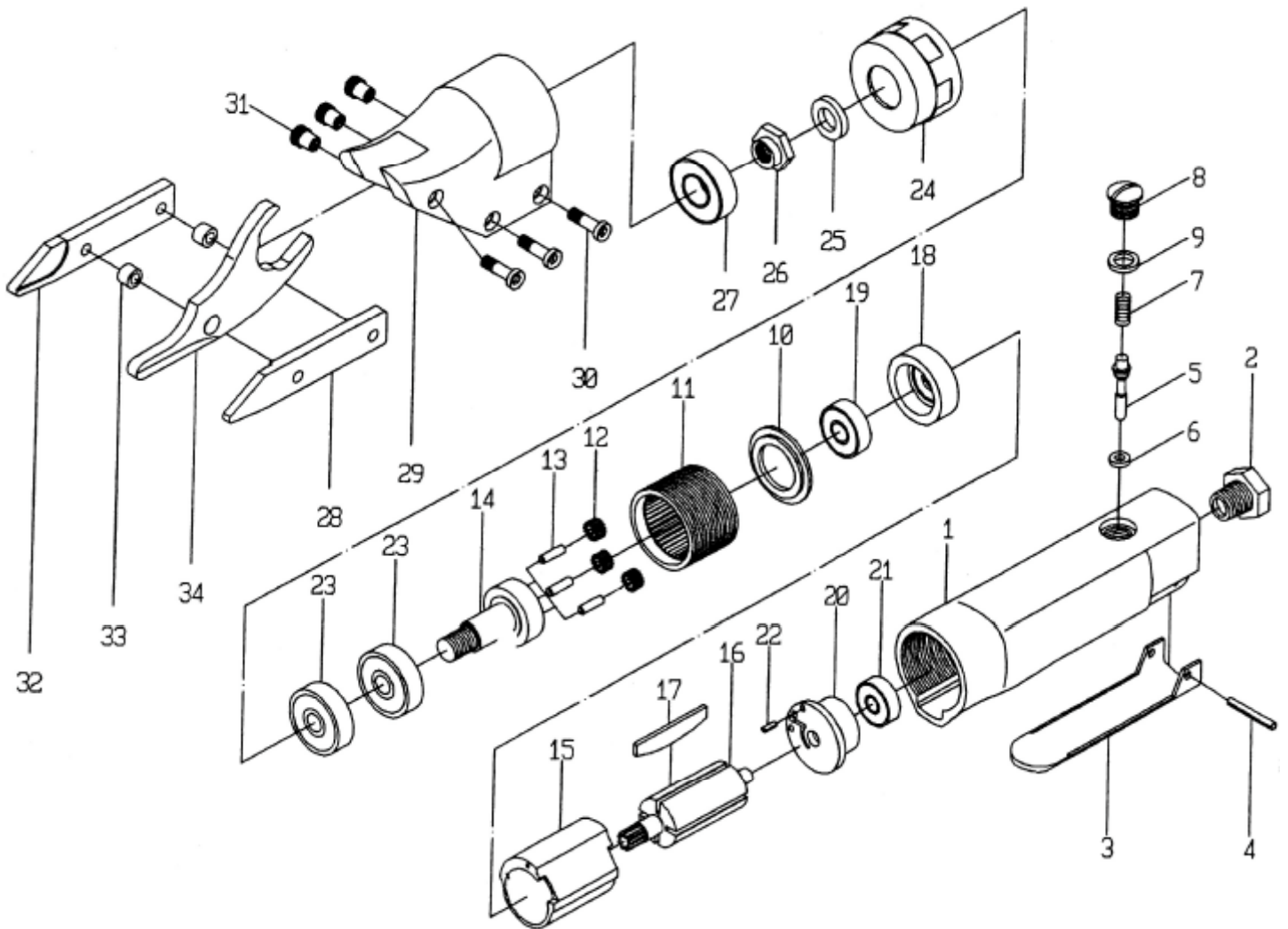


吉生 GISON

GP-838S Straight Air Metal Shear



PARTS LIST

✳ : Consuming Part

Item No.	Part No.	Description	Qty.	Item No.	Part No.	Description	Qty.
1	838S01	Housing	1	18	838S18	Front End Plate	1
2	838S02	Air Inlet	1	19	838S19	Bearing	1
3	838S03	Trigger	1	20	838S20	End Plate	1
4	838S04	Pin	1	21	838S21	Bearing	1
5	838S05	Valve Stem	1	22	838S22	Pin	1
6	838S06	O-Ring	1	23	838S23	Bearing	2
7	838S07	Spring	1	24	838S24	Clamp Nut	1
8	838S08	Valve Plug	1	25	838S25	Washer	1
9	838S09	O-Ring	1	26	838S26	Eccentric Nut	1
10	838S10	Washer	1	27	838S27	Bearing	1
11	838S11	Thread Ring Gear	1	28	838S28	Left Blade	1
12	838S12	Gear	3	29	838S29	Cutter Housing	1
13	838S13	Pin	3	30	838S30	Lock Screw	3
14	838S14	Work Spindle	1	31	838S31	Lock Nut	3
15	838S15	Cylinder	1	32	838S32	Right Blade	1
16	838S16	Rotor	1	33	838S33	Spacer	2
17	838S17	Rotor Blade	4	34	838S34	Center Blade	1