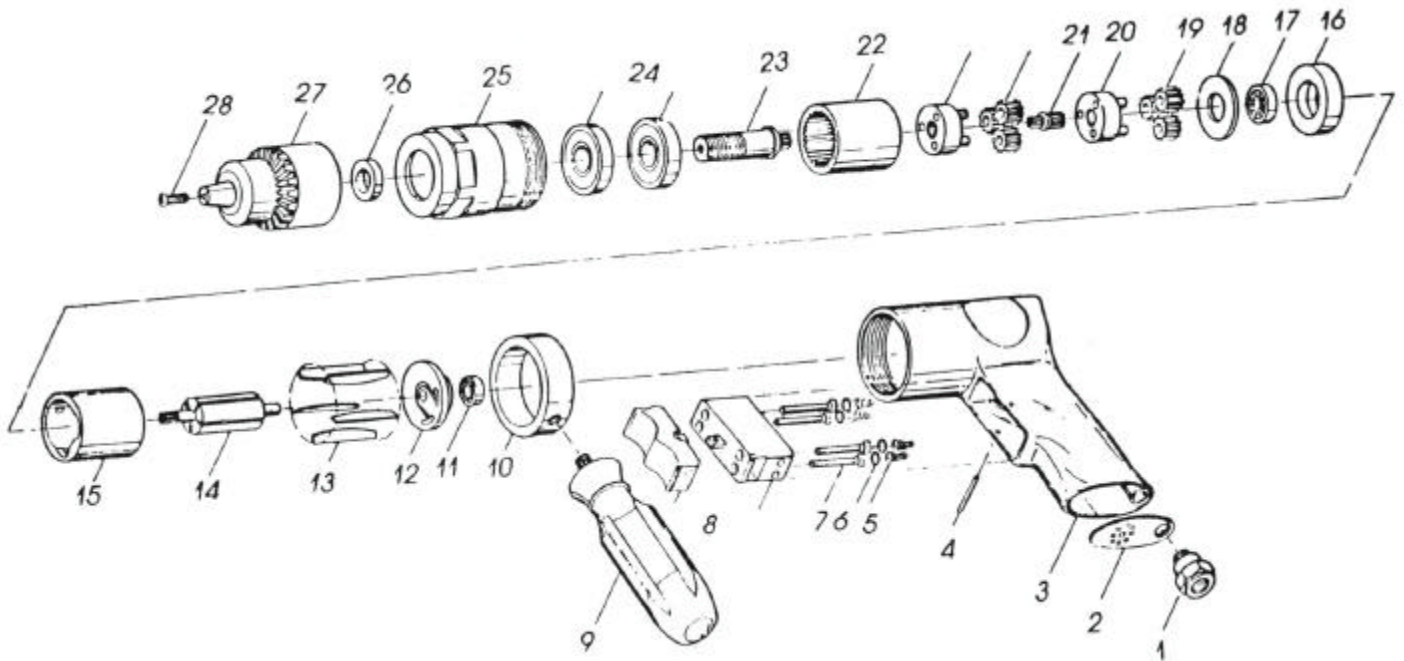


# 吉生 GISON

## GP-836L 1/2" Heavy Duty Reversible Drill



### PARTS LIST

✿ : Consuming Part

Item No.	Part No.	Description	Qty.	Item No.	Part No.	Description	Qty.
1	836L01	Air Inlet	1	15	836L15	Cylinder	1
2	836L02	Diffuser-Exhaust	1	16	836L16	Front End Plate	1
3	836L03	Handle Assembly	1	17	836L17	Ball Bearing	1
4	836L04	Rull Pin	1	18	836L18	Washer	1
5	836L05	Change Value Spring	4	19	836L19	Planet Gear	6
6	836L06	O-Ring	4	20	836L20	Planet Pin	2
7	836L07	Valve Set	4	21	836L21	Gear	1
8	836L08	Trigger	1	22	836L22	Planet Cage	1
9	836L09	Handle	1	23	836L23	Internal Gear	1
10	836L10	Collar	1	24	836L24	Ball Bearing	2
11	836L11	Ball Bearing	1	25	836L25	Nose Housing	1
12	836L12	Rear Plate	1	26	836L26	Washer	1
✿ 13	836L13	Rotor Blade	5	27	836095	Chuck (1/2")	1
14	836L14	Rotor	1	28	836L28	Screw	1