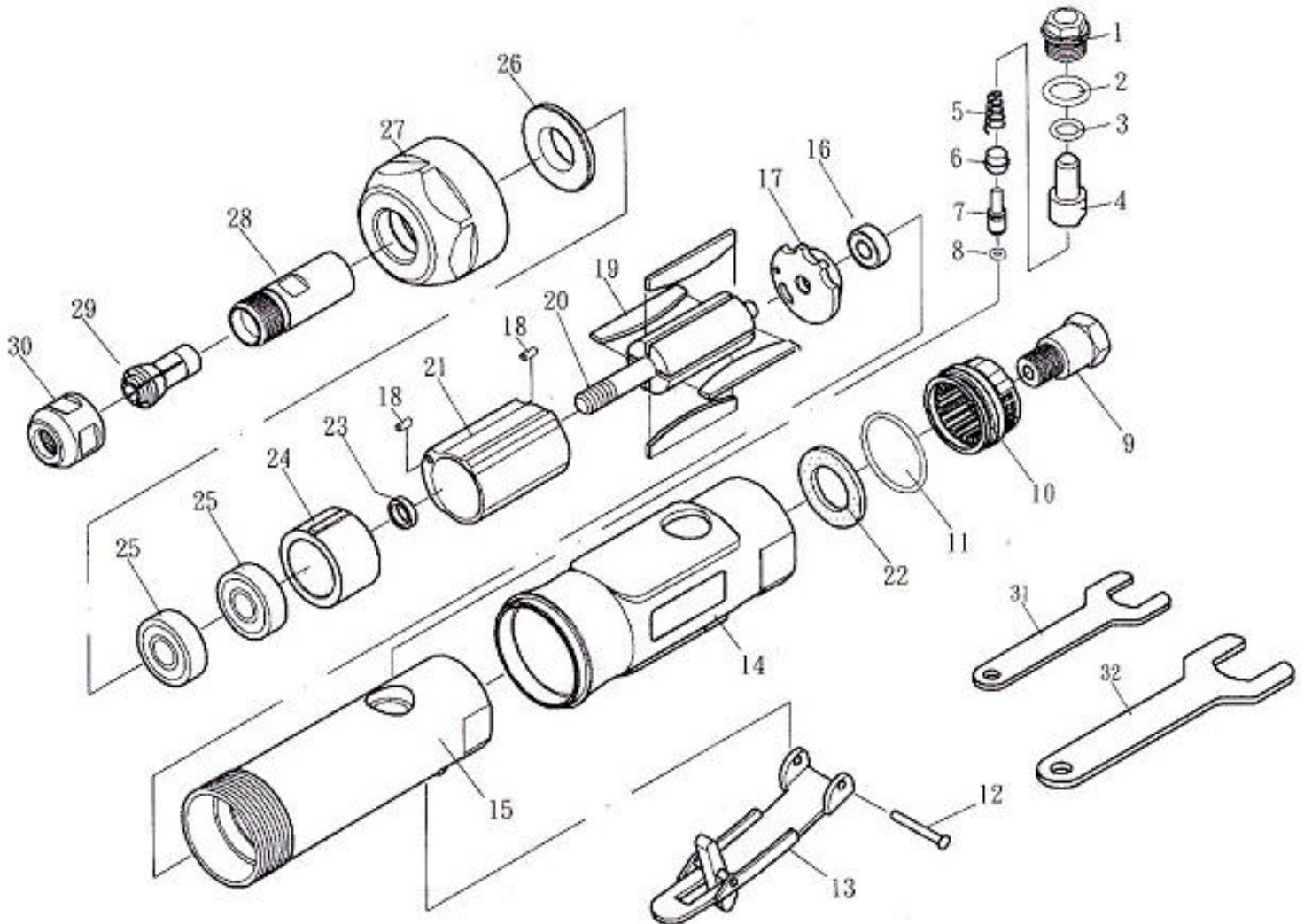




GISON Pneumatic Tools

GP-824ST Air Die Grinder



PARTS LIST

✳ : Consuming Part

Item No.	Part No.	Description	Qty.	Item No.	Part No.	Description	Qty.
01	824ST01	Screw	1	17	824ST17	Rear Plate	1
02	824ST02	O-Ring (P12)	1	18	824ST18	Pin	2
03	824ST03	O-Ring (P8)	2	19	824ST19	Rotor Blade	4
04	824ST04	Air Regulator	1	20	824ST20	Rotor	1
05	824ST05	Spring	1	21	824ST21	Cylinder	1
06	824ST06	Valve Stem Bushing	1	22	824ST22	Cone Muffler	1
07	824ST07	Valve Stem	1	23	824ST23	Bearing Spacer	1
08	824ST08	O-Ring (3.5 * 1.4)	1	24	824ST24	Front Plate	1
09	824ST09	Air Inlet	1	25	824ST25	Bearing (608ZZ)	2
10	824ST10	Exhaust Sleeve	1	26	824ST26	Washer	1
11	824ST11	O-Ring (26.7 * 1.78)	1	27	824ST27	Clamp Nut	1
12	824ST12	Spring Pin	1	28	824ST28	Spindle	1
13	824ST13	Lever	1	29	824ST29	Collet	1
14	824ST14	Protecting Rubber	1	30	824ST30	Collet Nut	1
15	824ST15	Housing	1	31	824ST31	Stop Spanner (14MM)	1
16	824ST16	Bearing (696ZZ)	1	32	824ST32	Stop Spanner (19MM)	1