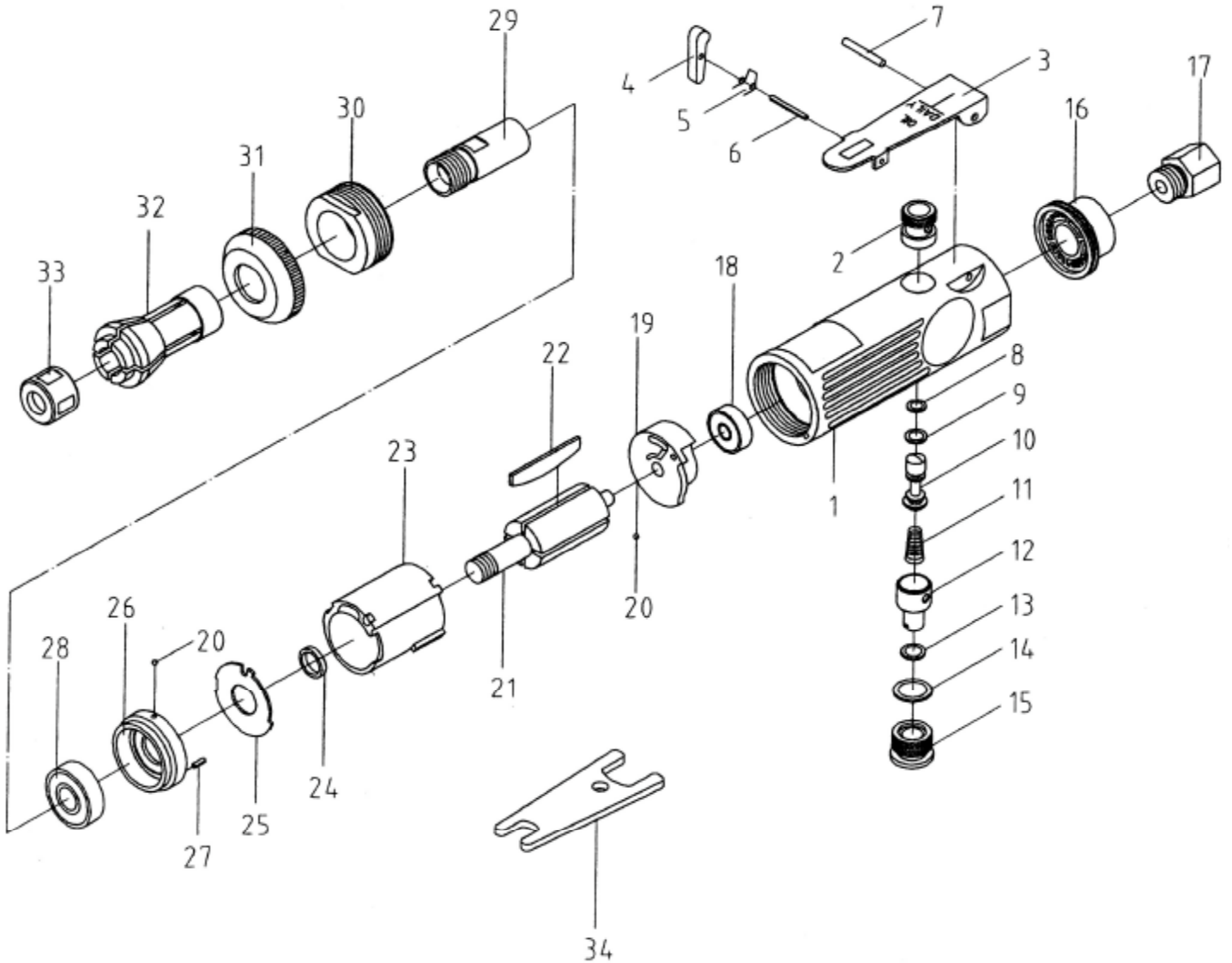


吉生 GISON

GP-824L Air Die Grinder



PARTS LIST

✳ : Consuming Part

Item No.	Part No.	Description	Qty.	Item No.	Part No.	Description	Qty.
01	824L01	Housing	1	18	824L18	Bearing	1
02	824L02	Valve Bushing	1	19	824L19	End Plate	1
03	824L03	Trigger	1	20	824L20	Steel Ball	2
04	824L04	Lever	1	21	824L21	Rotor	1
05	824L05	Spring	1	22	824L22	Rotor Blade	4
06	824L06	Pin	1	23	824L23	Cylinder	1
07	824L07	Pin	1	24	824L24	Washer	1
08	824L08	O-Ring	1	25	824L25	Washer	1
09	824L09	O-Ring	1	26	824L26	Front Plate	1
10	824L10	Valve Stem	1	27	824L27	Pin	1
11	824L11	Spring	1	28	824L28	Bearing	1
12	824L12	Air Regulator	1	29	824L29	Collet Holder	1
13	824L13	O-Ring	1	30	824L30	Retainer	1
14	824L14	O-Ring	1	31	824L31	Housing Cap	1
15	824L15	Valve Plug	1	32	824L32	Collet	1
16	824L16	Muffle Cover	4	33	824L33	Cap	1
17	824L17	Air Inlet	1	34	824L34	Wrench	2