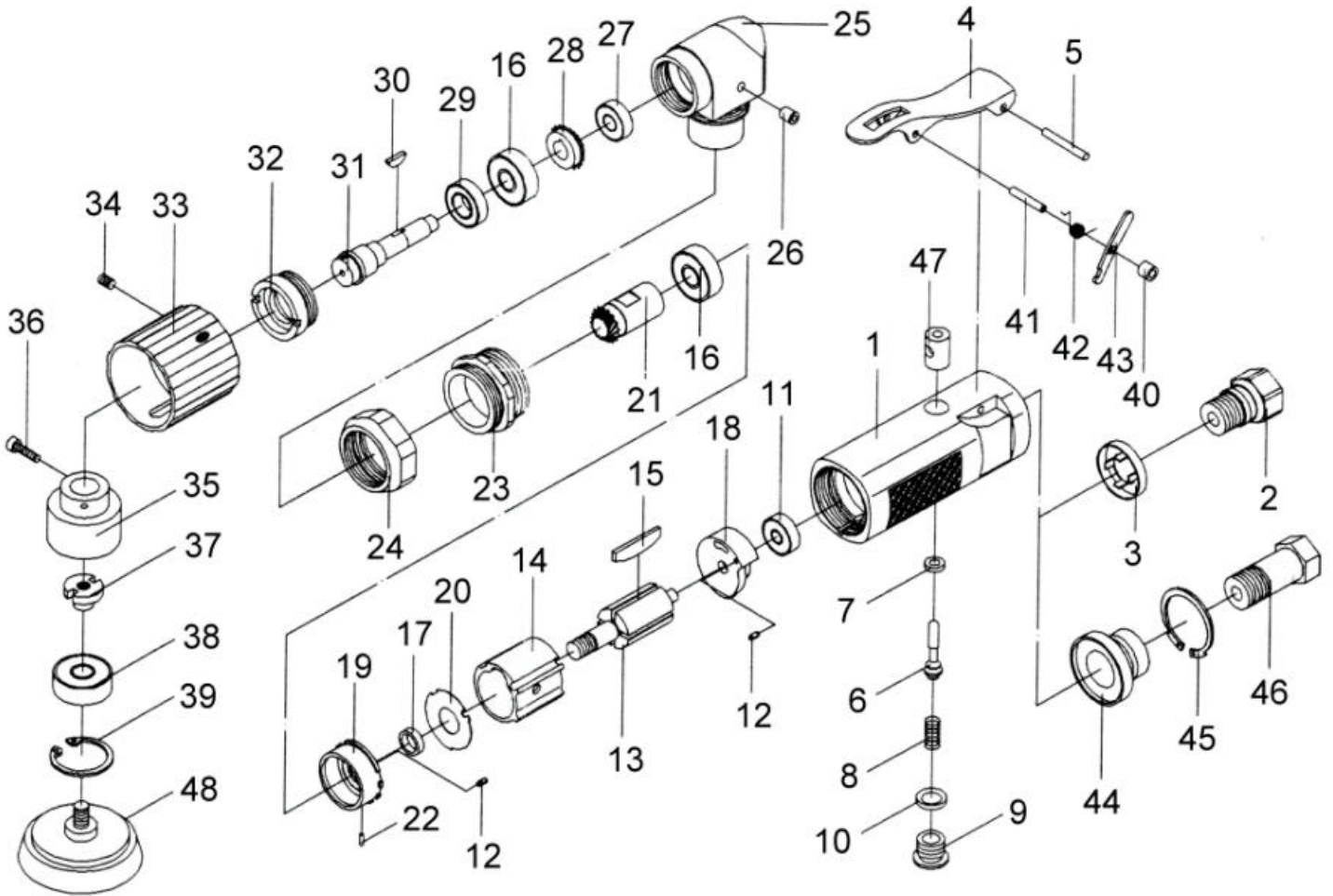


吉生 GISON

GP-824HS 2" Angle Sander



PARTS LIST

★ :Consuming Part

| Item No. | Part No. | Description | Qty. | Item No. | Part No. | Description | Qty. |
|----------|----------|--------------|------|----------|----------|----------------|------|
| 01 | 824HS01 | Housing | 1 | 26 | 824HS26 | Grease Cap | 1 |
| 02 | 824HS02 | Air Inlet | 1 | 27 | 824HS27 | Ball Bearing | 1 |
| 03 | 824HS03 | Muffle Cover | 1 | 28 | 824HS28 | Angle Gear | 1 |
| 04 | 824HS04 | Trigger | 1 | 29 | 824HS29 | Ball Bearing | 1 |
| 05 | 824HS05 | Pin | 1 | 30 | 824HS30 | Woodruff Key | 1 |
| 06 | 824HS06 | Valve Stem | 1 | 31 | 824HS31 | Work Spindle | 1 |
| 07 | 824HS07 | O-Ring | 1 | 32 | 824HS32 | Lock Nut | 1 |
| 08 | 824HS08 | Spring | 1 | 33 | 824HS33 | Drive Housing | 1 |
| 09 | 824HS09 | Valve Plug | 1 | 34 | 824HS34 | Screw | 2 |
| 10 | 824HS10 | O-Ring | 1 | 35 | 824HS35 | Balancer | 1 |
| 11 | 824HS11 | Ball Bearing | 1 | 36 | 824HS36 | Screw | 1 |
| 12 | 824HS12 | Pin | 2 | 37 | 824HS37 | Drive Spindle | 1 |
| 13 | 824HS13 | Rotor | 1 | 38 | 824HS38 | Ball Bearing | 1 |
| 14 | 824HS14 | Cylinder | 1 | 39 | 824HS39 | Retaining Ring | 1 |
| ★ 15 | 824HS15 | Rotor Blade | 4 | 40 | 824HS40 | Bushing | 1 |
| 16 | 824HS16 | Ball Bearing | 2 | 41 | 824HS41 | Pin | 1 |
| 17 | 824HS17 | Rotor Collar | 1 | 42 | 824HS42 | Spring | 1 |
| 18 | 824HS18 | End Plate | 1 | 43 | 824HS43 | Lever | 1 |
| 19 | 824HS19 | Front Plate | 1 | 44 | 824HS44 | Muffle Cover | 1 |
| 20 | 824HS20 | Washer | 1 | 45 | 824HS45 | Retainer Ring | 1 |
| 21 | 824HS21 | Angle Gear | 1 | 46 | 824HS46 | Air Inlet | 1 |
| 22 | 824HS22 | Pin | 1 | 47 | 824HS47 | Valve Bushing | 1 |
| 23 | 824HS23 | Clamp Nut | 1 | 48 | 824HS48 | Pad | 1 |
| 24 | 824HS24 | Cap | 1 | 51 | 824HS51 | O-Ring | 1 |
| 25 | 824HS25 | Angle Head | 1 | | | | |