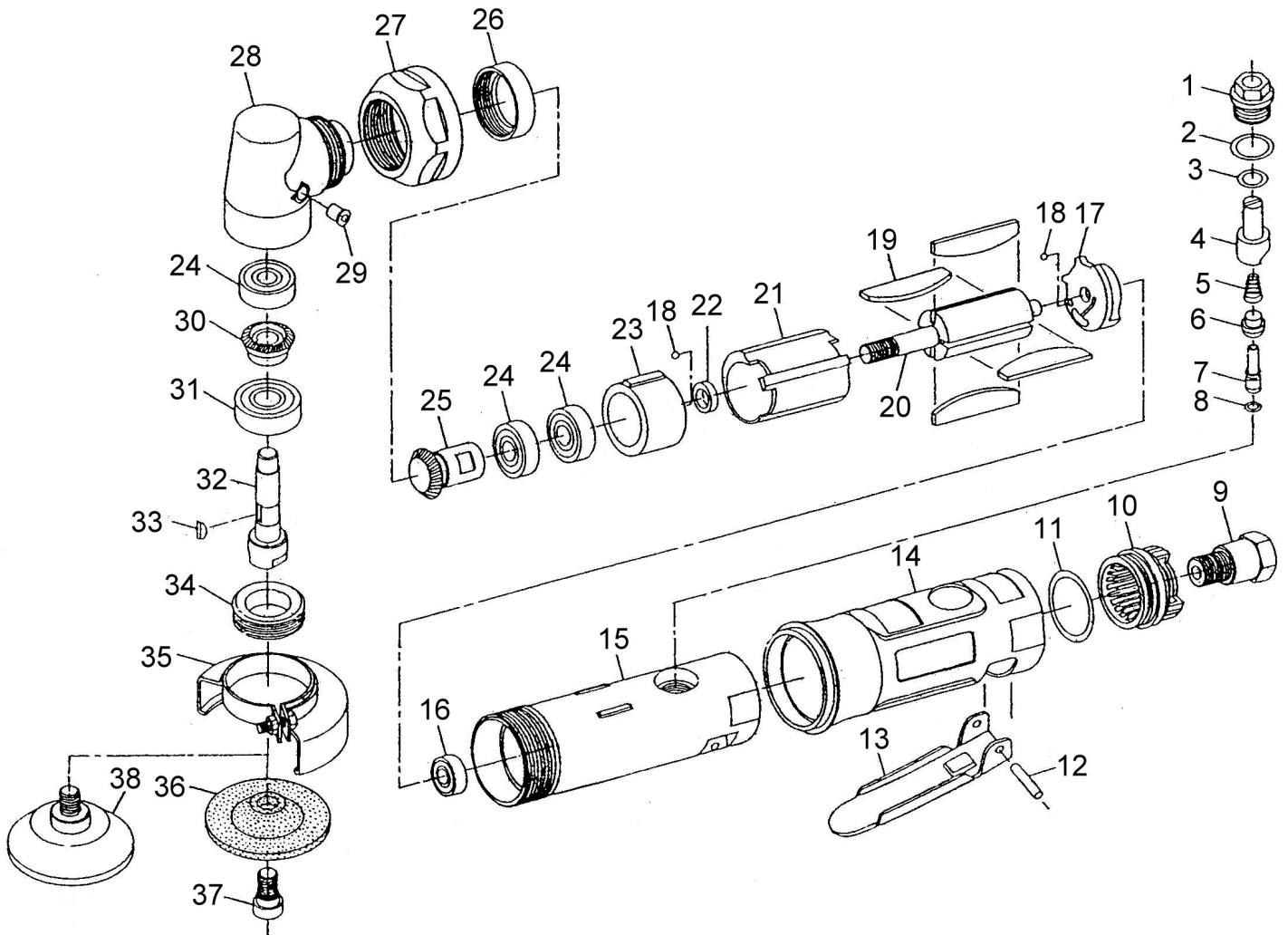




GISON Pneumatic Tools

GP-824GS 2" Angle Grinder/ Sander



PARTS LIST

★ :Consuming Part

| Item No. | Part No. | Description | Qty. | Item No. | Part No. | Description | Qty. |
|----------|----------|--------------------|------|----------|----------|---------------------|------|
| 1 | 824GS01 | Screw | 1 | 20 | 824GS20 | Rotor | 1 |
| 2 | 824GS02 | O-Ring | 1 | 21 | 824GS21 | Cylinder | 1 |
| 3 | 824GS03 | O-Ring | 1 | 22 | 824GS22 | Bearing Spacer | 1 |
| 4 | 824GS04 | Air Regulator | 1 | 23 | 824GS23 | Front Plate | 1 |
| 5 | 824GS05 | Spring | 1 | 24 | 824GS24 | Ball Bearing | 1 |
| 6 | 824GS06 | Valve Stem Bushing | 1 | 25 | 824GS25 | Bevel Gear (90°) | 1 |
| 7 | 824GS07 | Valve Stem | 1 | 26 | 824GS26 | Nut | 1 |
| 8 | 824GS08 | O-Ring | 1 | 27 | 824GS27 | Clamp Nut | 1 |
| 9 | 824GS09 | Air Inlet | 1 | 28 | 824GS28 | Angle Housing (90°) | 1 |
| 10 | 824GS10 | Exhaust Sleeve | 1 | 29 | 824GS29 | Oil Cup | 1 |
| 11 | 824GS11 | O-Ring | 1 | 30 | 824GS30 | Bevel Gear (90°) | 1 |
| 12 | 824GS12 | Pin | 1 | 31 | 824GS31 | Ball Bearing | 1 |
| 13 | 824GS13 | Lever | 1 | 32 | 824GS32 | Shaft | 1 |
| 14 | 824GS14 | Protecting Rubber | 1 | 33 | 824GS33 | Key | 1 |
| 15 | 824GS15 | Housing | 1 | 34 | 824GS34 | Clamp Nut | 1 |
| 16 | 824GS16 | Ball Bearing | 1 | 35 | 824GS35 | Disc Cover | 1 |
| 17 | 824GS17 | Rear Plate | 1 | 36 | 824GS36 | Disc Wheel | 1 |
| 18 | 824GS18 | Pin | 2 | 37 | 824GS37 | Disc Screw | 1 |
| 19 | 824GS19 | Rotor Blade | 4 | 38 | 824GS38 | Pad | 1 |