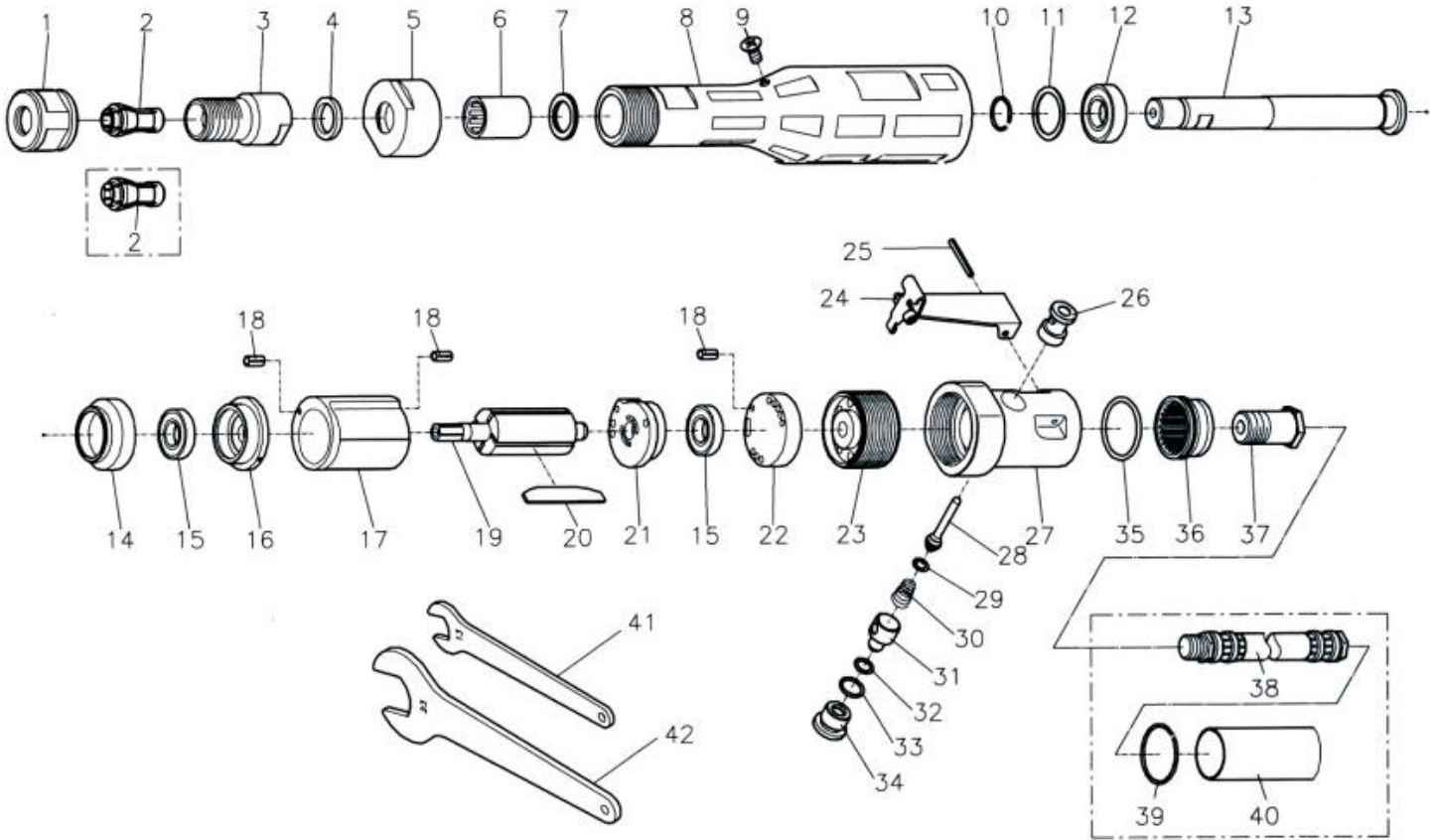




GISON Pneumatic Tools

GP-824EF Industrial Die Grinder



PARTS LIST

✳ : Accessory Optional

Item No.	Part No.	Description	Qty.	Item No.	Part No.	Description	Qty.
1	824EF01	Collect Nut	1	24	824EF24	Throttle Lever	1
2	824EF02A	Collect (8 mm)	1	25	824EF25	Spring Pin	1
	824EF02B	Collect (6 mm)	1	26	824EF26	Bushing	1
3	824EF03	Spindle	1	27	824EF27	Rear Cover	1
4	824EF04	Wooly Washer	1	28	824EF28	Valve Stem	1
5	824EF05	Front Cover	1	29	824EF29	O-Ring	1
6	824EF06	Needle Bearing	1	30	824EF30	Spring	1
7	824EF07	Washer	1	31	824EF31	Regulator	1
8	824EF08	Motor Housing	1	32	824EF32	O-Ring	1
9	824EF09	Chamfer Screw	1	33	824EF33	O-Ring	1
10	824EF10	Spindle Collar	1	34	824EF34	Valve Plug	1
11	824EF11	Washer	1	35	824EF35	O-Ring	1
12	824EF12	Ball Bearing	1	36	824EF36	Hose Adapter	1
13	824EF13	Spindle	1	37	824EF37A	Air Inlet (1/4"PF)	1
14	824EF14	Spacer	1		824EF37B	Air Inlet (1/4"PT)	
15	824EF15	Ball Bearing	2		824EF37C	Air Inlet (1/4"NPT)	
16	824EF16	Front End Plate	1	✳ 38	824EF38A	Lead Hose (1/4"PF)	1
17	824EF17	Cylinder	1		824EF38B	Lead Hose (1/4"PT)	
18	824EF18	Spring Pin	3		824EF38C	Lead Hose (1/4"NPT)	
19	824EF19	Rotor	1	✳ 39	824EF39	Snap Ring	1
20	824EF20	Rotor Blade	4	✳ 40	824EF40	Exhaust Hose	1
21	824EF21	Rear End Plate	1	41	824EF41	Spanner (For No.13)	1
22	824EF22	Air Diversion	1	42	824EF42	Spanner (For No.3)	1
23	824EF23	Connector	1	43	824EF43	Spanner (For No.1)	1