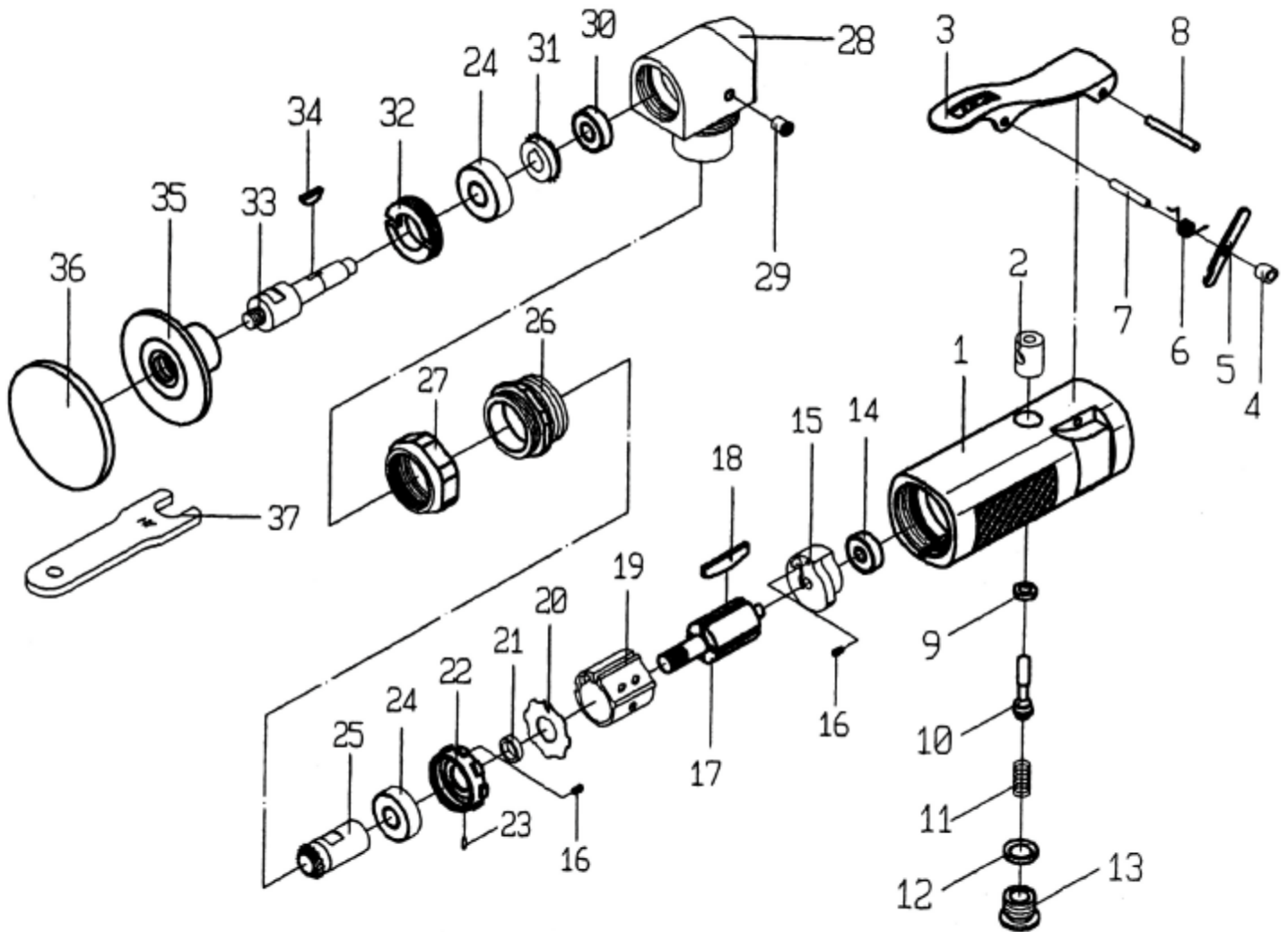


吉生 GISON

GP-824AS 50mm Air Angle Sander



PARTS LIST

☆ :Consuming Part

Item No.	Part No.	Description	Qty.	Item No.	Part No.	Description	Qty.
1	824AS01	Housing	1	20	824AS20	Washer	1
2	824AS02	Valve Bushing	1	21	824AS21	Rotor Collar	1
3	824AS03	Trigger	1	22	824AS22	Front Plate	1
4	824AS04	Bushing	1	23	824AS23	Pin	1
5	824AS05	Lever	1	24	824AS24	Bearing	1
6	824AS06	Spring	1	25	824AS25	Angle Gear	1
7	824AS07	Pin	1	26	824AS26	Clamp Nut	1
8	824AS08	Pin	1	27	824AS27	Cap	1
9	824AS09	O-Ring	1	28	824AS28	Angle Head	1
10	824AS10	Valve Stem	1	29	824AS29	Grease Cap	1
11	824AS11	Spring	1	30	824AS30	Bearing	1
12	824AS12	O-Ring	2	31	824AS31	Angle Gear	1
13	824AS13	Valve Plug	1	32	824AS32	Lock Nut	1
14	824AS14	Bearing	1	33	824AS33	Work Spindle	1
15	824AS15	End Plate	4	34	824AS34	Woodruff Key	1
16	824AS16	Pin	2	35	824AS35	Sanpaper Holder	1
17	824AS17	Rotor	1	36	824AS36	Sanpaper	1
18	824AS18	Rotor Blade	1	37	824AS37	Wrench	1
19	824AS19	Cylinder	1				