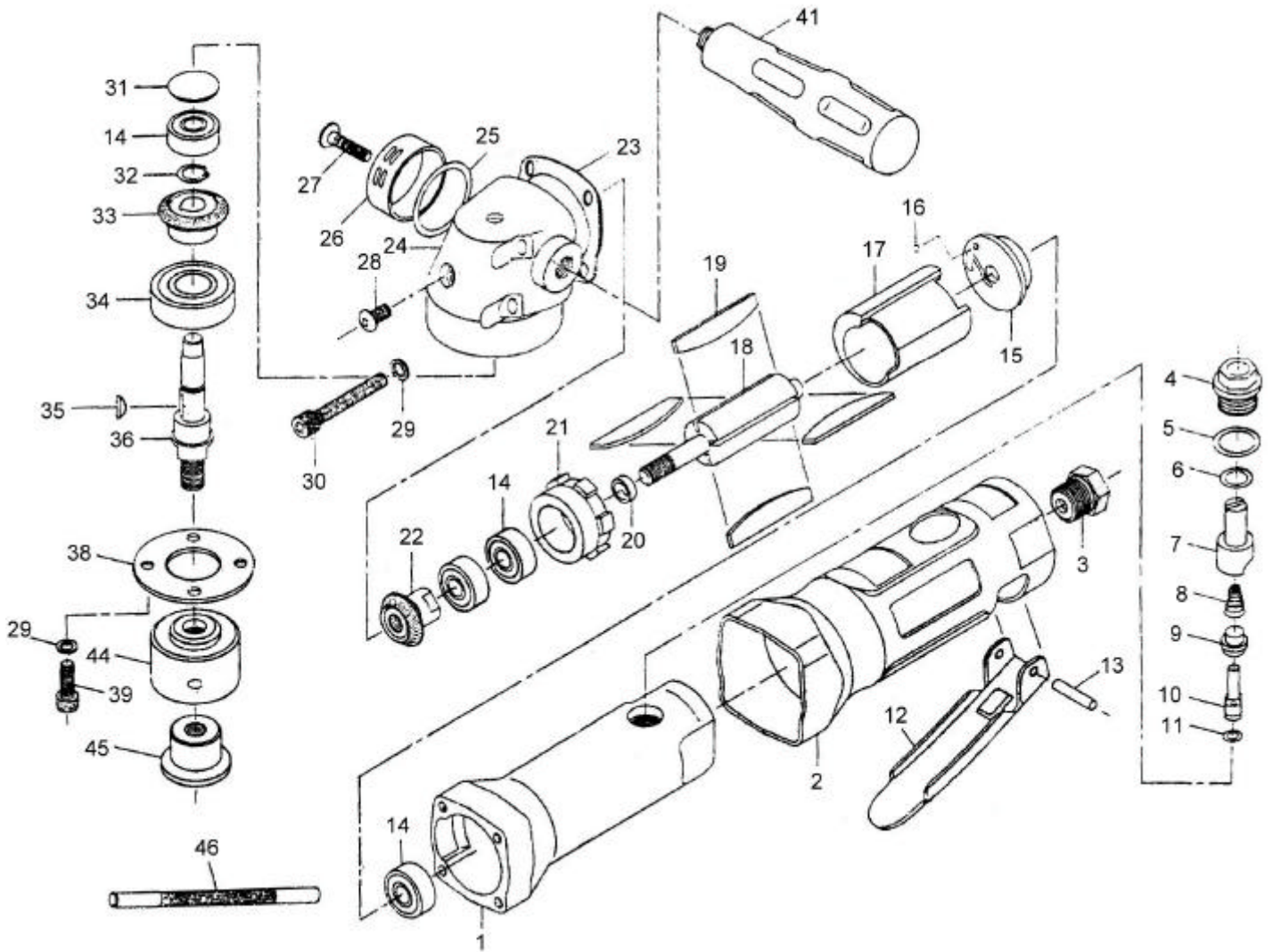


吉生 GISON

GP-823S 100° Disc Sander



PARTS LIST

✦ : Consuming Part

No.	Part No.	Description	Qty.	No.	Part No.	Description	Qty.
1	823S01	Housing	1	22	823S22	Bevel Gear	1
2	823S02	Protecting Rubber	1	23	823S23	Packing	1
3	823S03	Air Inlet	1	24	823S24	Angle Housing	1
4	823S04	Screw	1	25	823S25	O-Ring	1
5	823S05	O-Ring	1	26	823S26	Exhaust Sleeve	1
6	823S06	O-Ring	1	27	823S27	Screw	1
7	823S07	Air Regulator	1	28	823S28	Screw	1
8	823S08	Spring	1	29	823S29	Spring Washer	8
9	823S09	Valve Stem Bushing	1	30	823S30	Screw	4
10	823S10	Valve Stem	1	31	823S31	Spacer	1
11	823S11	O-Ring	1	32	823S32	Retaining Ring	1
12	823S12	Lever	1	33	823S33	Bevel Gear	1
13	823S13	Pin	1	34	823S34	Ball Bearing	1
14	823S14	Ball Bearing	4	35	823S35	Key	1
15	823S15	Rear Plate	1	36	823S36	Shaft	1
16	823S16	Steel Ball	1	38	823S38	Face Plate	1
17	823S17	Cylinder	1	39	823S39	Screw	4
18	823S18	Rotor	1	41	823S41	Handle	1
19	823S19	Rotor Blade	4	44	823S44	Sanding Adapter	1
20	823S20	Bearing Spacer	1	45	823S45	Adaptor Lock Down	1
21	823S21	Front Plate	1	46	823S46	Stop Spanner	1