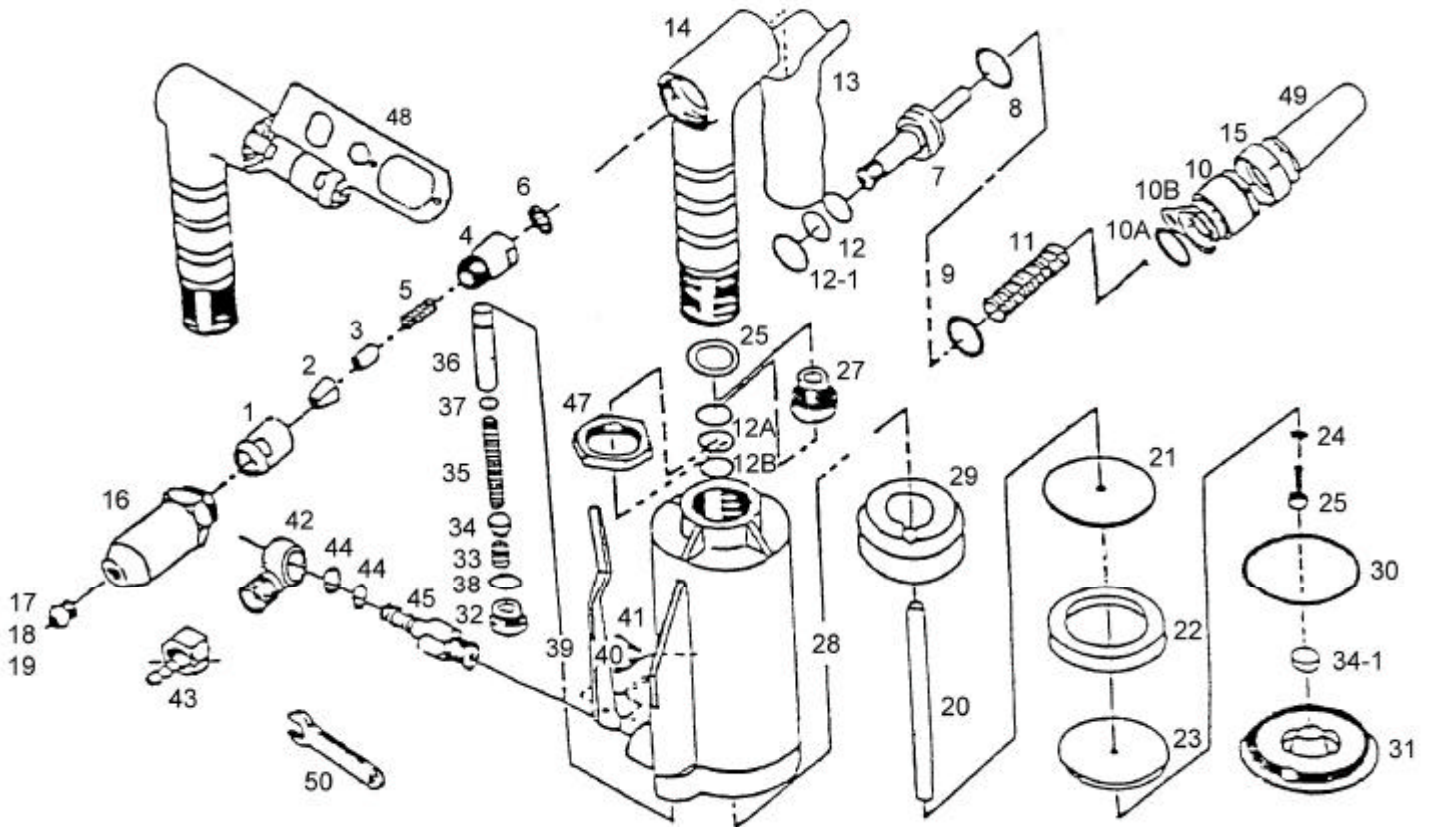




吉生 GISON

GP-700A Air Hydraulic Riveter



PARTS LIST

★ :Consuming Part

Item No.	Part No.	Description	Qty.	Item No.	Part No.	Description	Qty.
01	700A01	Jaw Housing	1	24	700A24	Piston Head Spring Washer	1
02	700A02	Jaw	2	25	700A25	Piston Head Lock Screw	1
03	700A03	Jaw Pusher	1	26	700A26	O-Ring	1
04	700A04	Jaw Housing Coupler	1	27	700A27	Hydraulic Rod Guide	1
05	700A05	Spring	1	28	700A28	Air Cylinder Body	1
06	700A06	Nut	1	29	700A29	Damping Ring	1
07	700A07	Hydraulic Plunger	1	30	700A30	O-Ring	1
08	700A08	O-Ring	1	31	700A31	Air Cylinder Cap	1
09	700A09	Back Up Ring	1	32	700A32	Screw Plug	1
10	700A10	Screw Plug	1	33	700A33	Valve Pressure Spring	1
10A	700A10A	O-Ring	1	34	700A34	Valve Plate	1
10B	700A10B	Hanging Clip	2	34-1	700A34-1	Valve Plate	1
11	700A11	Hydraulic Return Spring	1	35	700A35	Valve Spring	1
12	700A12	O-Ring	2	36	700A36	Valve Tube	1
12-1	700A12-1	Back Up Ring	1	37	700A37	O-Ring	1
12A	700A12A	O-Ring	2	38	700A38	O-Ring	1
12B	700A12B	Back Up Ring	1	39	700A39	Trigger Arm	1
13	700A13	Hand Grip	1	40	700A40	Spring	1
14	700A14	Hydraulic Section	1	41	700A41	Roll Pin	1
15	700A15	Frame Cap Nut	1	42	700A42	1/4" Air Inlet Fitting- Female (Standard)	1
16	700A16	Head	1	43	700A43	1/4" Air Inlet Fitting- Male (Optional)	1
17	700A17	Nosepiece (1/8")	1	44	700A44	O-Ring	3
18	700A18	Nosepiece (5/32")	1	45	700A45	Air Inlet Plug	1
19	700A19	Nosepiece (3/16")	1	47	700A47	Lock Nut	1
20	700A20	Plunger Rod	1	48	700A48	Wrench	1
21	700A21	Front Piston Head Disc	1	49	700A49	Safe Cap	1
22	700A22	Piston Head Packing Ring	1	50	700A50	14mm Wrench	2
23	700A23	Rear Piston Head Disc	1				