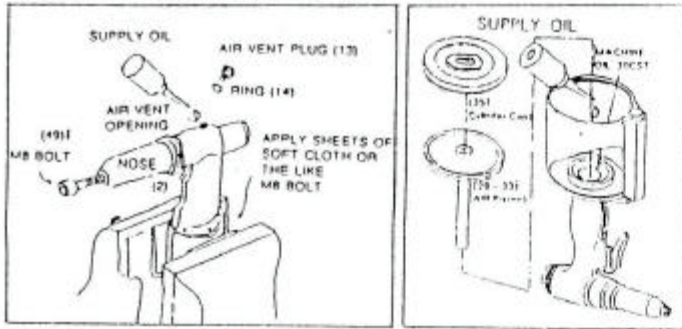


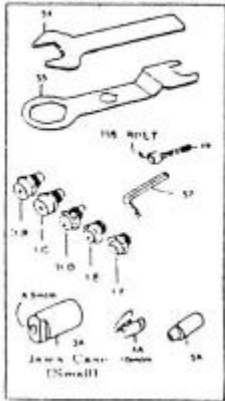
# 吉生 GISON

## GP-500Y Air Hydraulic Riveter

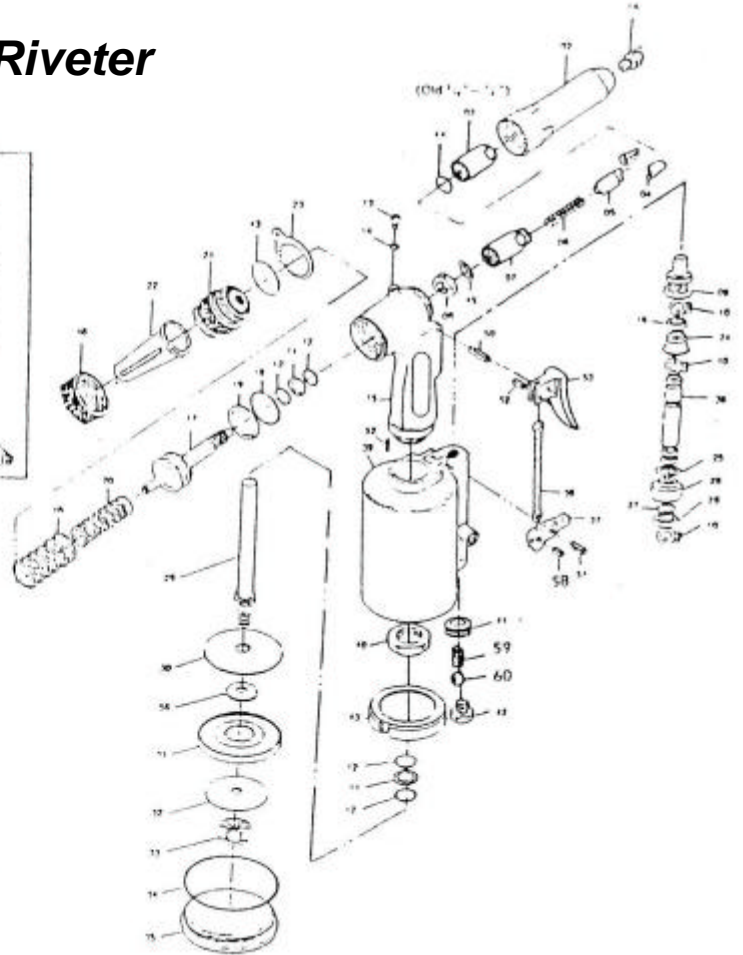
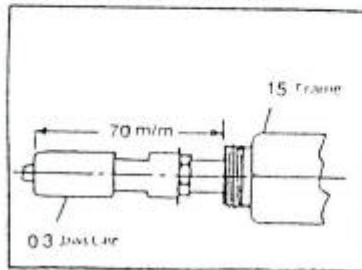
### ADDING OIL METHOD (一) (二)



### AUXILIARY PARTS



### ADJUSTING LENGTH



## PARTS LIST

✦ : Consuming Part

No.	Part No.	Description	Qty.	No.	Part No.	Description	Qty.
01A	500Y01A	Nose Piece 6.4 mm (1/4")	1	31	500Y31	Cup Packing	1
01B	500Y01B	Nose Piece 5.5 mm (7/32")	1	32	500Y32	Packing Washer	1
01C	500Y01C	Nose Piece 4.8 mm (3/16")	1	33	500Y33	Rock Nut (5/16x12L)	1
01D	500Y01D	Nose Piece 4.0 mm (5/32")	1	34	500Y34	O-Ring (G80)	1
01E	500Y01E	Nose Piece 3.2 mm (1/8")	1	35	500Y35	cylinder Cap	1
01F	500Y01F	Nose Piece 2.4 mm (3/32")	1	36	500Y36	Trigger Rod	1
02	500Y02	Frame Head	1	37	500Y37	Trigger Level	1
03	500Y03	Jaws Case Ahead Part	1	38	500Y38	Valve Pusher	1
04	500Y04	Jaws (12 mm)	2	39	500Y39	Air Cylinder	1
05	500Y05	Jaw Pusher	1	40	500Y40	Frame Lock Nut	1
06	500Y06	Jaw Case Spring	2	41	500Y41	Nipple (M17x6t)	1
07	500Y07	Jaw Case Back Part	1	42	500Y42	Joint Nut (M17)	1
08	500Y08	Case Lock Nut	1	43	500Y43	Rubber Cushion	1
09	500Y09	Valve Pusher	1	44	500Y44	Jaw Case O-Ring	1
10	500Y10	C-Ring (S6)	3	45	500Y45	Washer Ring	1
11	500Y11	Back Up Ring (P12)	2	46	500Y46	Return Spring (Old)	1
12	500Y12	O-Ring (P12)	4	47	500Y47	Frame Cap O-Ring	1
13	500Y13	Air Blow Plug (M6x12)	1	48	500Y48	Cap Nut	1
14	500Y14	Packing (M6)	1	49	500Y49	Bolt Plug (M8)	1
15	500Y15	Frame	1	50	500Y50	Pin (3x24)	1
16	500Y16	Valve Ring Seal	1	51	500Y51	Level Pin	1
17	500Y17	Oil Piston	1	52	500Y52	Pin (3x8)	3
18	500Y18	O-Ring (P22A)	1	53	500Y53	Trigger	1
19	500Y19	Back Up Ring (P22A)	1	54	500Y54	Spanner Gauge	1
20	500Y20	Return Spring (Small)	1	55	500Y55	Spanner	1
21	500Y21	Frame Cap	1	56	500Y56	Piston Washer	1
22	500Y22	Dust Cap	1	57	500Y57	Hex. Wrench	1
23	500Y23	Hanging Cilp	1	58	500Y58	Trigger Pin	2
24	500Y24	Air Trigger Ring	1	59	500Y59	O-Ring	1
25	500Y25	O-Ring (P12)	1	60	500Y60	Seal	1
26	500Y26	Valve Seal	1	61	500Y61	Valve Spring	1
27	500Y27	O-Ring (P5)	1	03A	500Y03A	Jaw Case (3/32" ~ 5/32")	1
28	500Y28	Ring Seal Washer	1	04A	500Y04A	Jaws (10 mm Small)	2
29	500Y29	Air Piston Rod	1	05A	500Y05A	Jaw Pusher (3/32" ~ 5/32")	1
30	500Y30	Air Piston Board	1				