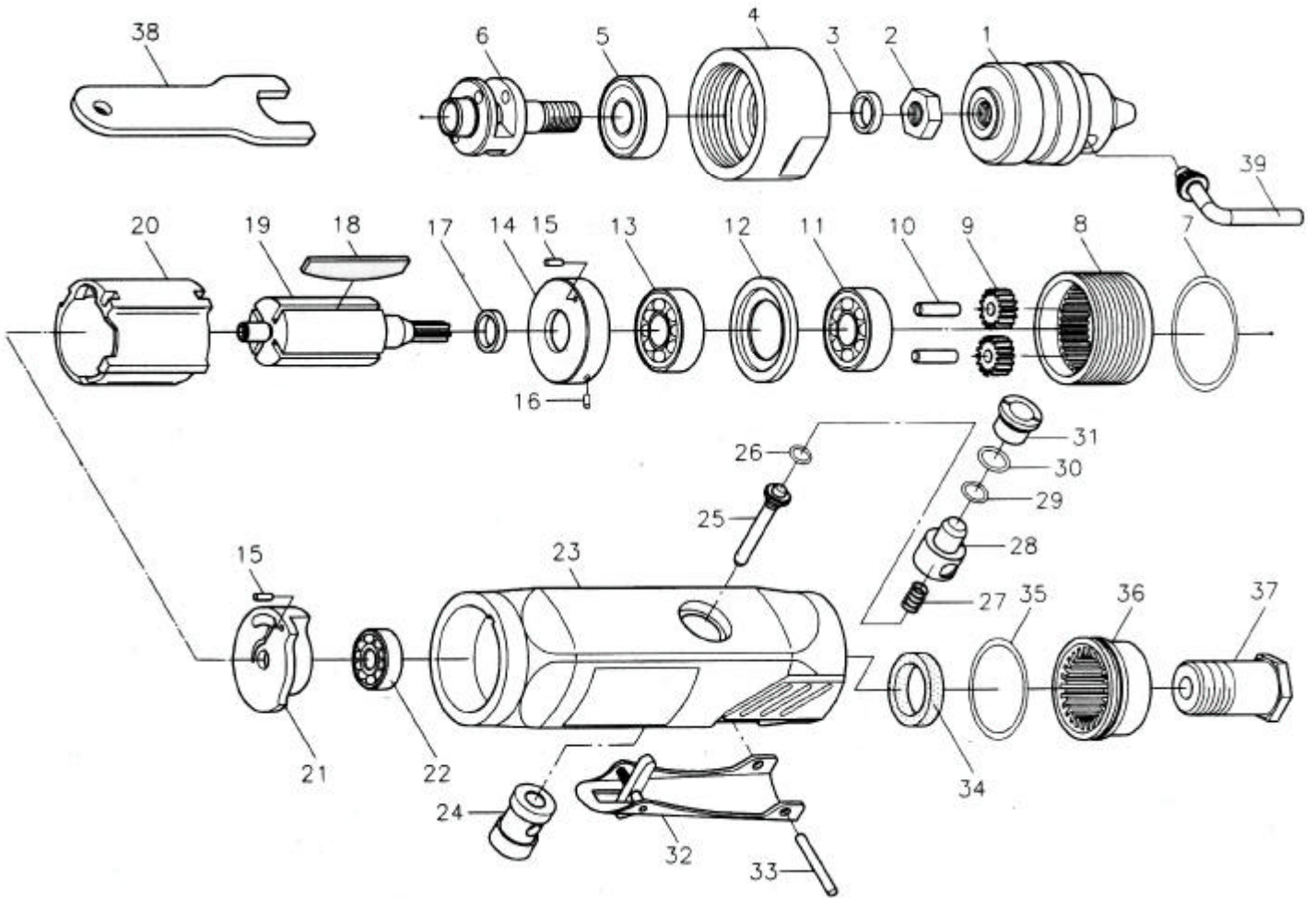




GISON Pneumatic Tools

GP-330T Professional Air Drill



PARTS LIST

✦ :Consuming Part

Item No.	Part No.	Description	Qty.	Item No.	Part No.	Description	Qty.
1	330T01	Chuck	1	22	330T22	Ball Bearing	1
2	330T02	Nut	1	23	330T23	Motor Housing	1
3	330T03	Spacer	1	24	330T24	Bushing	1
4	330T04	Housing Cover	1	25	330T25	Valve Stem	1
5	330T05	Ball Bearing	1	26	330T26	O-Ring	1
6	330T06	Cage	1	27	330T27	Spring	1
7	330T07	O-Ring	1	28	330T28	Regulator	1
8	330T08	Idler Gear Housing	1	29	330T29	O-Ring	1
9	330T09	Idler Gear	2	30	330T30	O-Ring	1
10	330T10	Pin	2	31	330T31	Valve Plug	1
11	330T11	Ball Bearing	1	32	330T32	Throttle Lever	1
12	330T12	Spacer	1	33	330T33	Spring Pin	1
13	330T13	Ball Bearing	1	34	330T34	Muffler	1
14	330T14	Front End Plate	1	35	330T35	O-Ring	1
15	330T15	Spring Pin	2	36	330T36	Hose Adapter	1
16	330T16	Spring Pin	1	37	330T37-1	Air Inlet (1/4"PF)	1
17	330T17	Spacer	1		330T37-2	Air Inlet (1/4"PT)	
18	330T18	Rotor Blade	4		330T37-3	Air Inlet (1/4"NPT)	
19	330T19	Rotor	1	38	330T38	Spanner	1
20	330T20	Cylinder	1	39	330T39	Chuck Key	1
21	330T21	Rear End Plate	1				