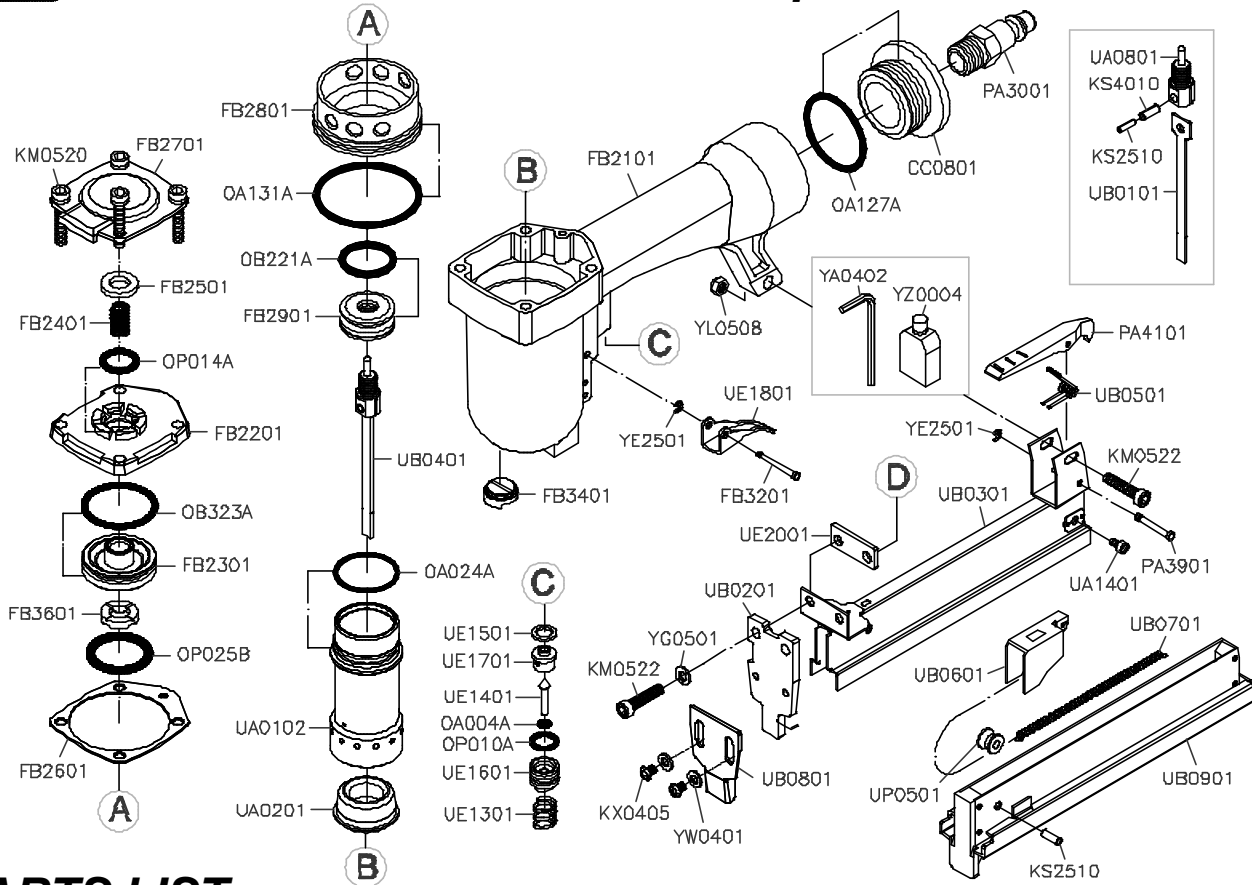


吉生 GISON

GP-1022J Medium Wire Air Stapler



PARTS LIST

✳ : Consuming Part

Item No.	Part No.	Description	Qty.	Item No.	Part No.	Description	Qty.
1	CC0801	End Cap	1	✳ 30	PA4101	Latch	1
2	FB2101	Body	1	31	UA0102	Cylinder	1
3	FB2201	Cylinder Cap	1	✳ 32	UA0201	Bumper	1
4	FB2301	Head Valve Piston	1	33	UA0801	Stem	1
5	FB2401	Compression Spring	1	34	UA1401	Retainer Screw	2
6	FB2501	Seal	1	35	UB0101	Driver	1
✳ 7	FB2601	Cap Seal	1	36	UB0201	Cover Plate	1
8	FB2701	Exhaust Cap	1	37	UB0301	Magazine Cap	1
9	FB2801	Collar	1	✳ 38	UB0401	Driver Assy.	1
✳ 10	FB2901	Main Piston	1	39	UB0501	Latch Spring	1
11	FB3201	Trigger Pin	1	✳ 40	UB0601	Pusher	1
✳ 12	FB3401	Nozzle	1	41	UB0701	Pusher Spring	2
13	FB3601	Piston Stop	1	42	UB0801	Adjustable Plate	1
14	KM0520	Hex.Soc.Hd.Bolt (M5 x0.8 - 20l)	4	43	UB0901	Magazine Seat	1
15	KM0522	Hex.Soc.Hd.Bolt (M5 x0.8 - 22l)	3	44	UE1301	Compression Spring	1
16	KS2510	Spring Pin (2.5-10l)	2	45	UE1401	Trigger Valve Stem	1
17	KS4010	Spring Pin (4-10l)	1	✳ 46	UE1501	Seal	1
18	KX0405	Cap Hd.Bolt (M4 x0.7 - 5l)	2	47	UE1601	Trigger Valve Guide	1
19	OA004A	O-Ring (1.8 x1.8)	1	48	UE1701	Trigger Valve Head	1
20	OA024A	O-Ring (ARP568 - 024)	1	49	UE1801	Trigger	1
21	OA127A	O-Ring (ARP568 - 127)	1	50	UE2001	Spacer	1
22	OA131A	O-Ring (ARP568 - 131)	1	51	UP0501	Poller	1
✳ 23	OB221A	O-Ring (22 x8)	1	52	YA0402	Hex Bar Wrench (D4)	1
24	OB323A	O-Ring (31.8 x2.4)	1	53	YE2501	E-Ring (2.5)	2
25	OP010A	O-Ring (P10)	1	54	YG0501	Spring Washer (5)	2
26	OP014A	O-Ring (P14)	1	55	YL0508	Hex.Nut (M5 x0.8)	1
27	OP025B	O-Ring (1B)(P25)	1	56	YW0401	Flat Washer (4)	2
28	PA3001	Coupling Plug 1/4"	1	57	YZ0004	Oil Box	1
29	PA3901	Latch Pin	1				