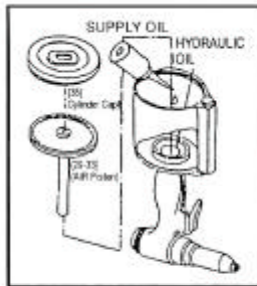
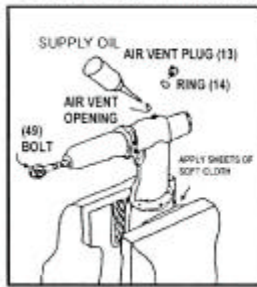


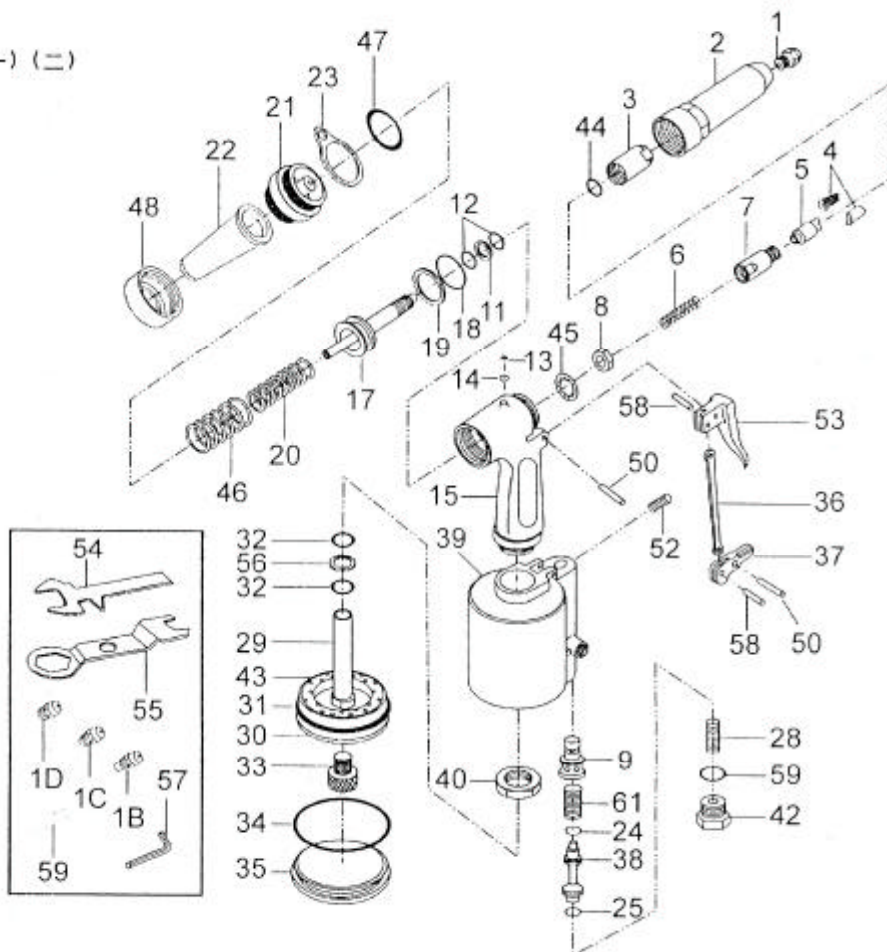
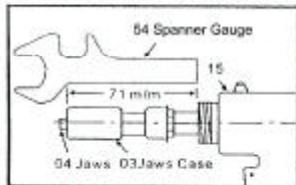
# 吉生 GISON

## GP-101S Air Hydraulic Riveter

### ADDING OIL METHOD (-) (二)



### ADJUSTING LENGTH



### PARTS LIST

✧ : Optional Accessories

Item No.	Part No.	Description	Qty.	Item No.	Part No.	Description	Qty.
1A	101S01C	Nosepiece 4.8 mm (3/16")	1	30	101S30	O-Ring	1
1B	101S01D	Nosepiece 4.0 mm (5/32")	1	31	101S31	Air Piston	1
1C	101S01E	Nosepiece 3.2 mm (1/8")	1	32	101S32	O-Ring	2
1D	101S01F	Nosepiece 2.4 mm (3/32")	1	33	101S33	Screw	1
02	101S02	Nose Housing (87L)	1	34	101S34	O-Ring	1
✧ 02L	101S02L	Long Nose Housing (162L)	1	35	101S35	Cylinder Cap	1
03	101S03	Jaws Case Ahead Part	1	36	101S36	Trigger Rod	1
04	101S04	Jaws (5 x 10)	2	37	101S37	Trigger Lever	1
05	101S05	Jaw Pusher	1	38	101S38	Valve Pipe	1
06	101S06	Jaw Case Spring	1	39	101S39	Air Cylinder	1
07	101S07	Jaw Case Back Part	1	40	101S40	Frame Lock Nut	1
✧ 07L	101S07L	Long Jaw Case Back Part	1	42	101S42	Valve Cap Nut	1
08	101S08	Case Lock Nut	1	43	101S43	Rubber Cushion	1
09	101S09	Valve Pusher	1	44	101S44	Jaw Case O-Ring	1
11	101S11	Back Up Ring	2	45	101S45	Washer Ring	1
12	101S12	O-Ring	1	46	101S46	Return Spring (Big)	1
13	101S13	Air Blow Plug	1	47	101S47	Frame Cap Ring	1
14	101S14	Packing	1	48	101S48	Cap Nut	1
15	101S15	Frame	1	49	101S49	Bolt Plug (M8)	1
17	101S17	Oil Piston	1	50	101S50	Pin	2
18	101S18	O-Ring	1	52	101S52	Screw	1
19	101S19	Back Up Ring	1	53	101S53	Trigger (Long)	1
20	101S20	Return Spring (Small)	1	✧ 53A	101S53A	Trigger (Short)	1
21	101S21	Frame Cap	1	54	101S54	Spanner Gauge	1
22	101S22	Dust Cap	1	55	101S55	Spanner	1
23	101S23	Hanging Clip	1	56	101S56	Back-Up Ring	1
24	101S24	O-Ring	1	57	101S57	Hex. Wrench	1
25	101S25	O-Ring	1	58	101S58	Trigger Pin	2
28	101S28	Spring	1	59	101S59	O-Ring	1
29	101S29	Air Piston Rod	1	61	101S61	Valve Spring	1